

[54] FOLDABLE STOOL

[75] Inventors: Jan M. Macho, La Canada; Richard O. Oxford, Los Angeles, both of Calif.

[73] Assignee: Dial Industries, Los Angeles, Calif.

[**] Term: 14 Years

[21] Appl. No.: 150,062

[22] Filed: May 15, 1980

[51] Int. Cl. D6-01

[52] U.S. Cl. D6/32; D6/178

[58] Field of Search D6/32, 33, 34, 35, 36, D6/47, 58, 177, 178; 297/16, 17, 175, 461, 462

[56] References Cited

U.S. PATENT DOCUMENTS

- D. 51,262 9/1917 Zagora D6/32
- D. 206,379 12/1966 Good D6/32
- D. 212,012 8/1968 Collins D6/32

2,829,705 4/1958 Godshalk et al. D6/32 X

Primary Examiner—Bruce W. Dunkins

[57] CLAIM

The ornamental design for a foldable stool, as shown and described.

DESCRIPTION

FIG. 1 is a perspective view of a foldable stool in its extended position showing our new design;
 FIG. 2 is a top plan view thereof on a reduced scale;
 FIG. 3 is a left end elevational view of the stool of FIG. 2;
 FIG. 4 is a side elevational view; and
 FIG. 5 is a right end elevational view thereof;
 FIG. 6 is a perspective view of the stool shown in its folded condition;
 FIG. 7 is a top plan view of the stool of FIG. 6 on a reduced scale;
 FIG. 8 is a left end elevational view thereof;
 FIG. 9 is a side elevational view; and
 FIG. 10 is a bottom plan view thereof.

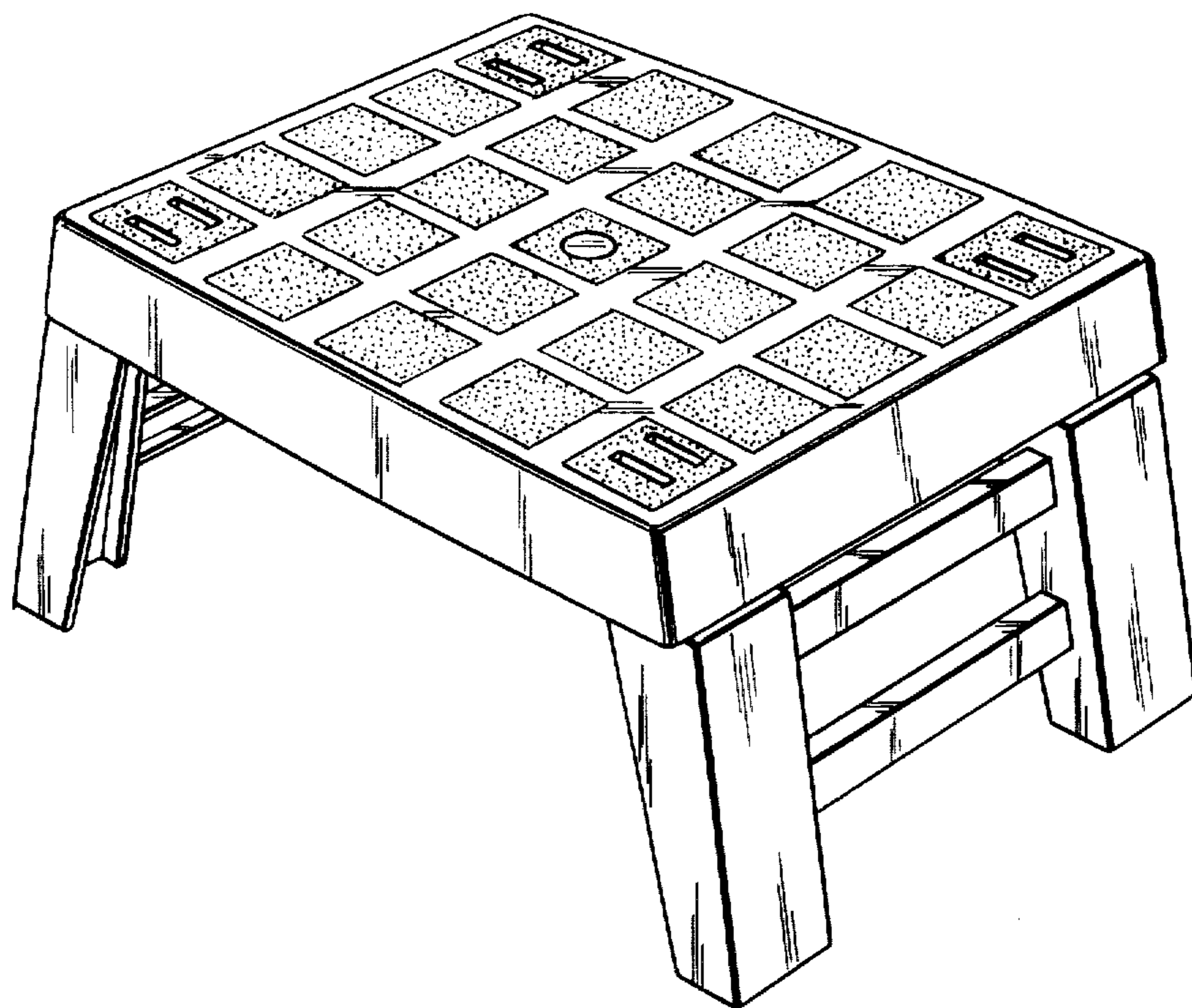


Fig. 1

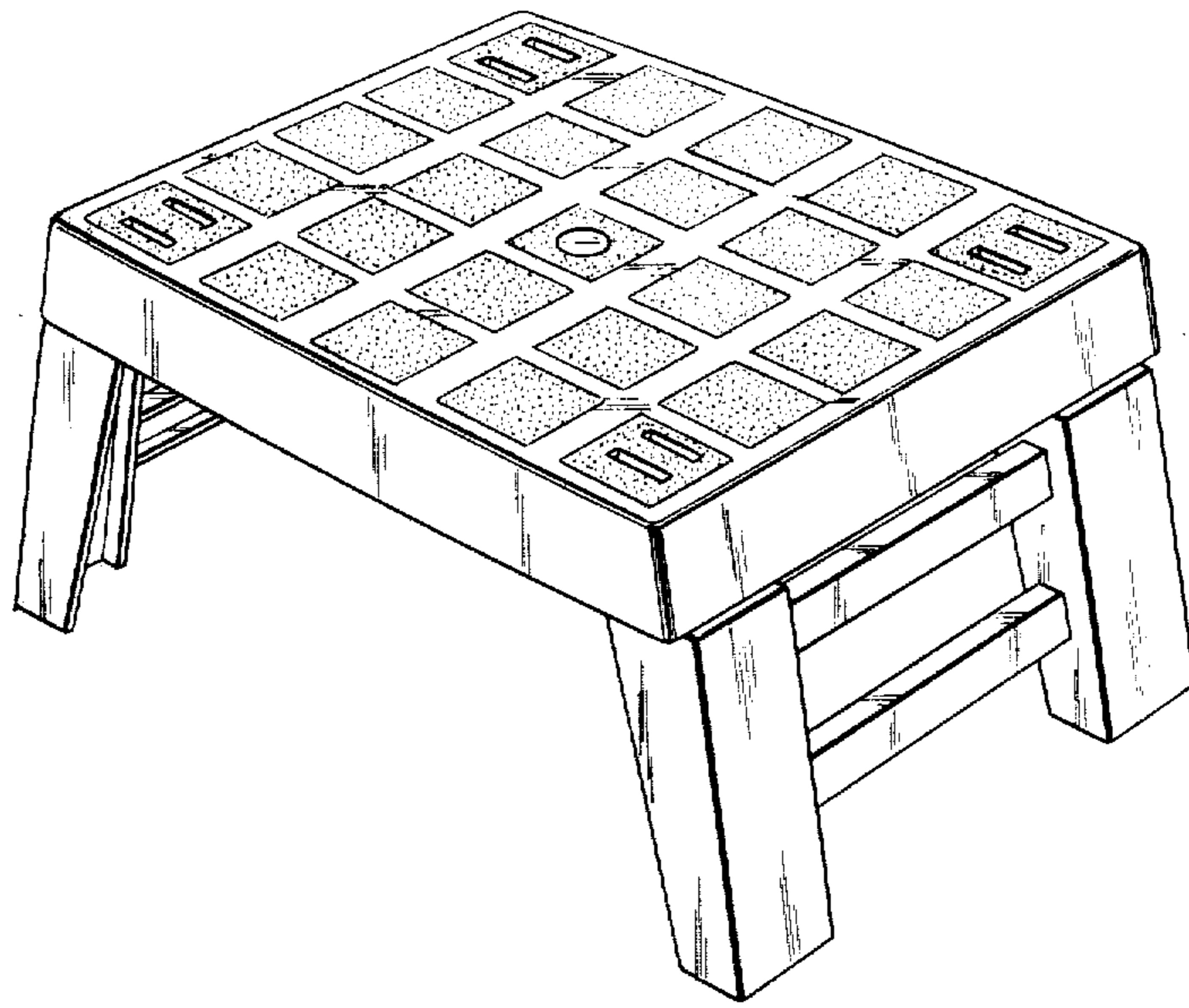


Fig. 2

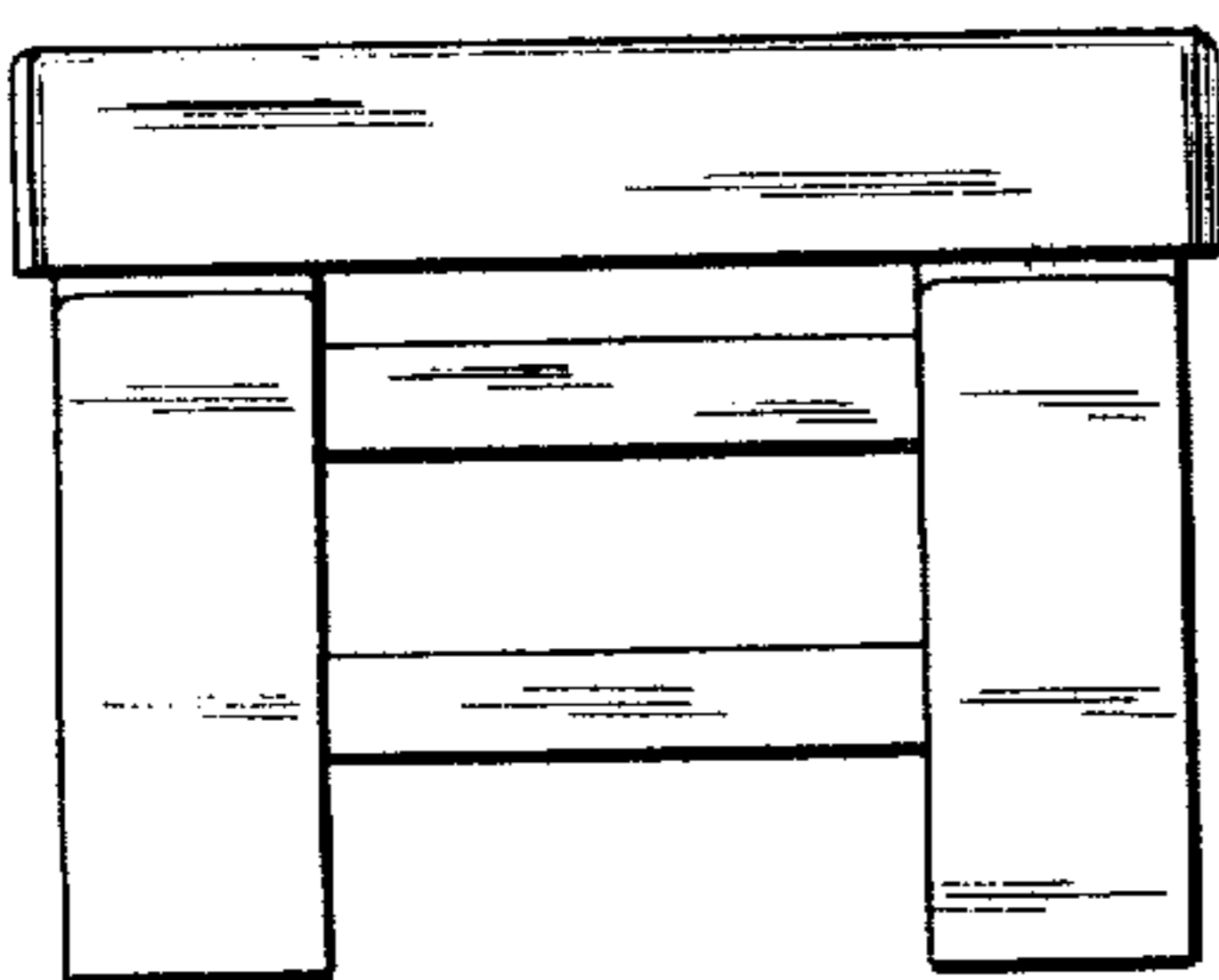
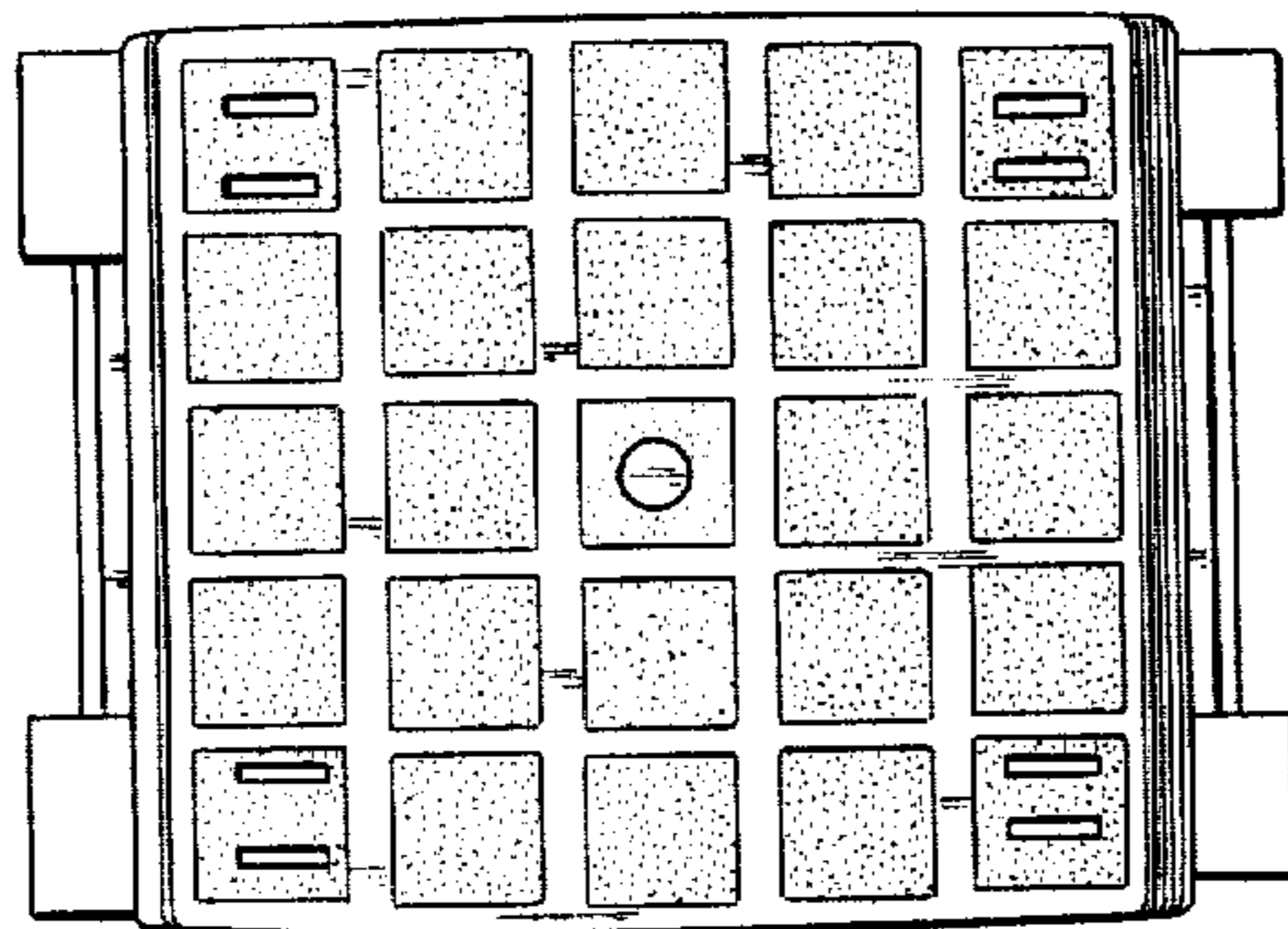


Fig. 3

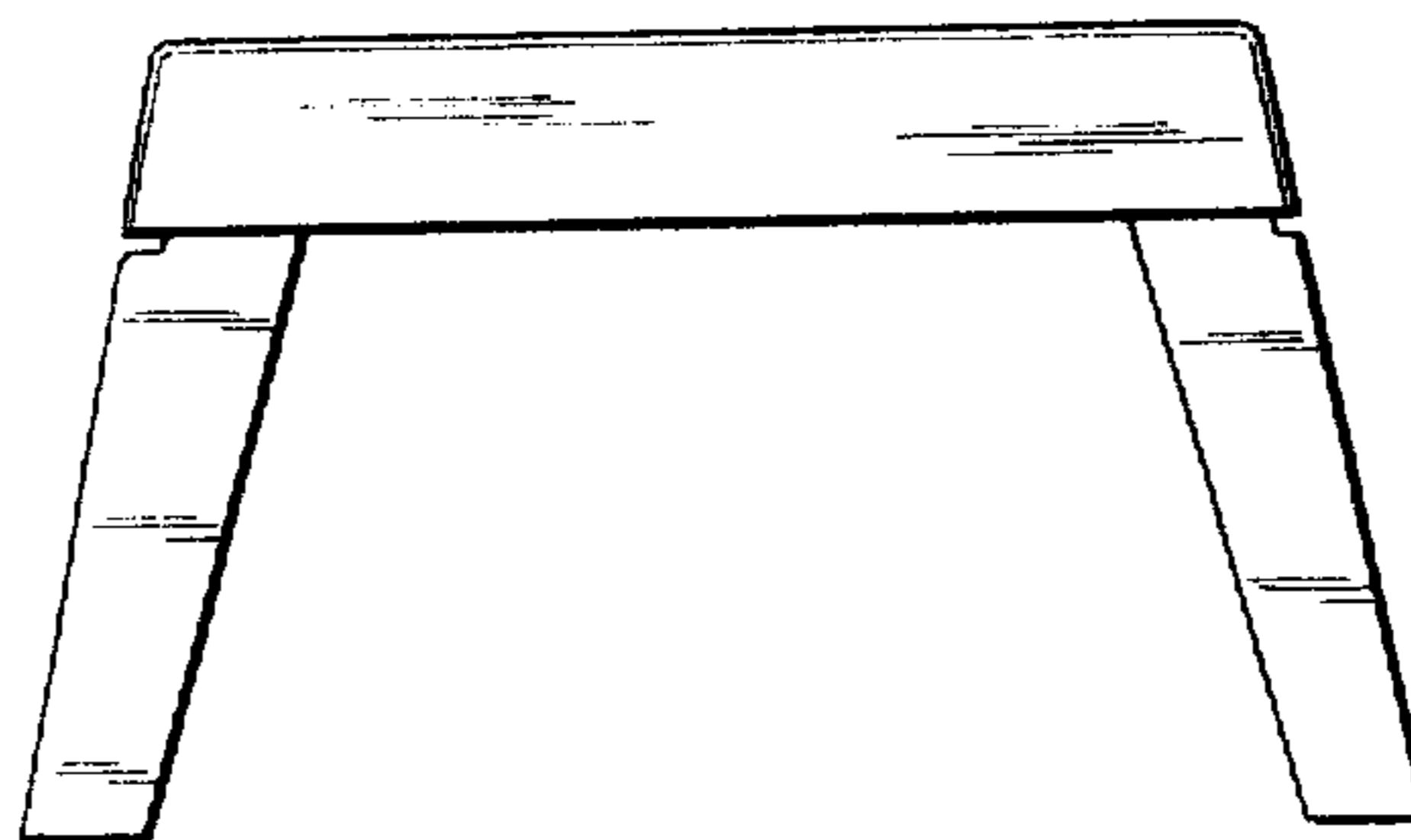


Fig. 4

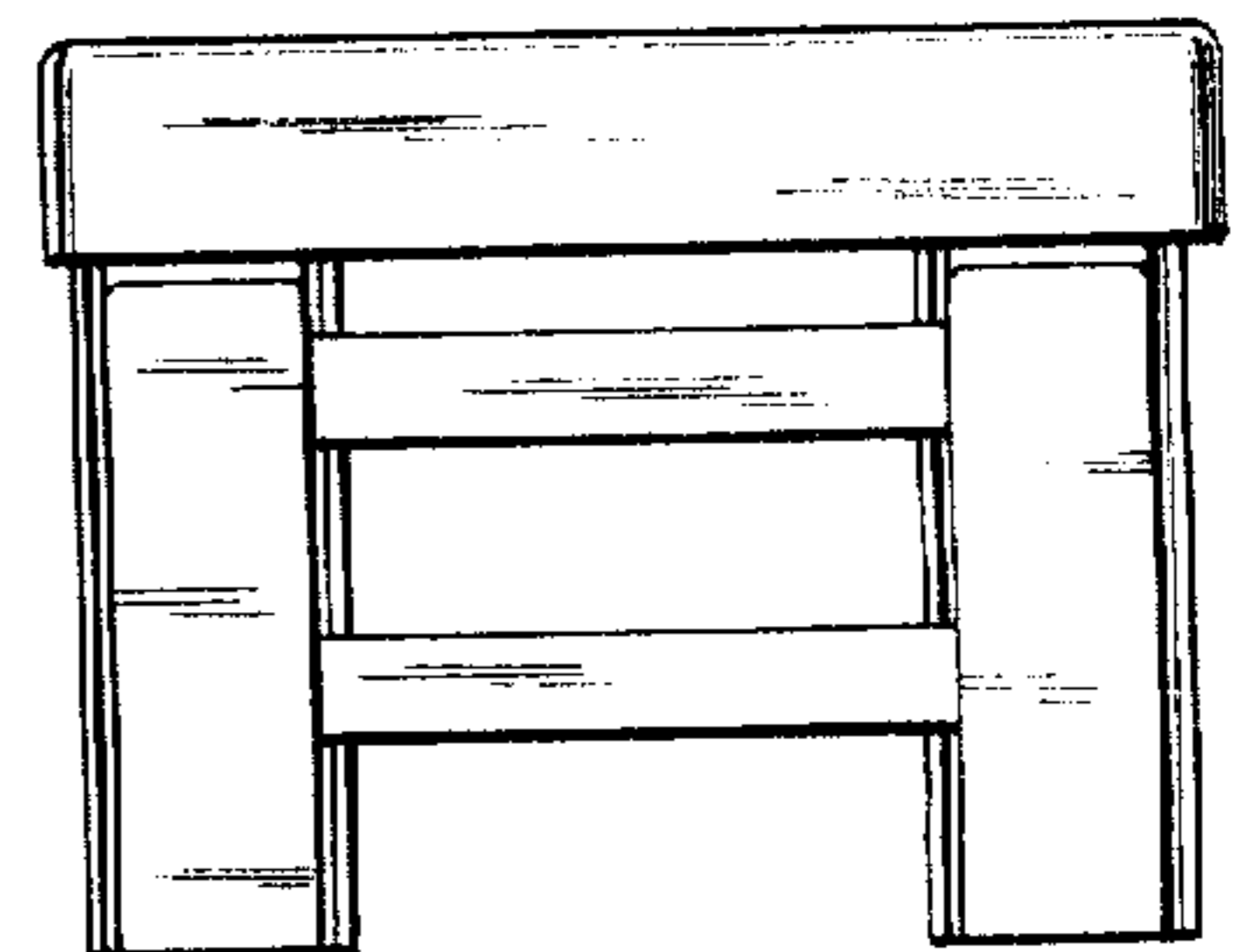


Fig. 5

Fig. 6

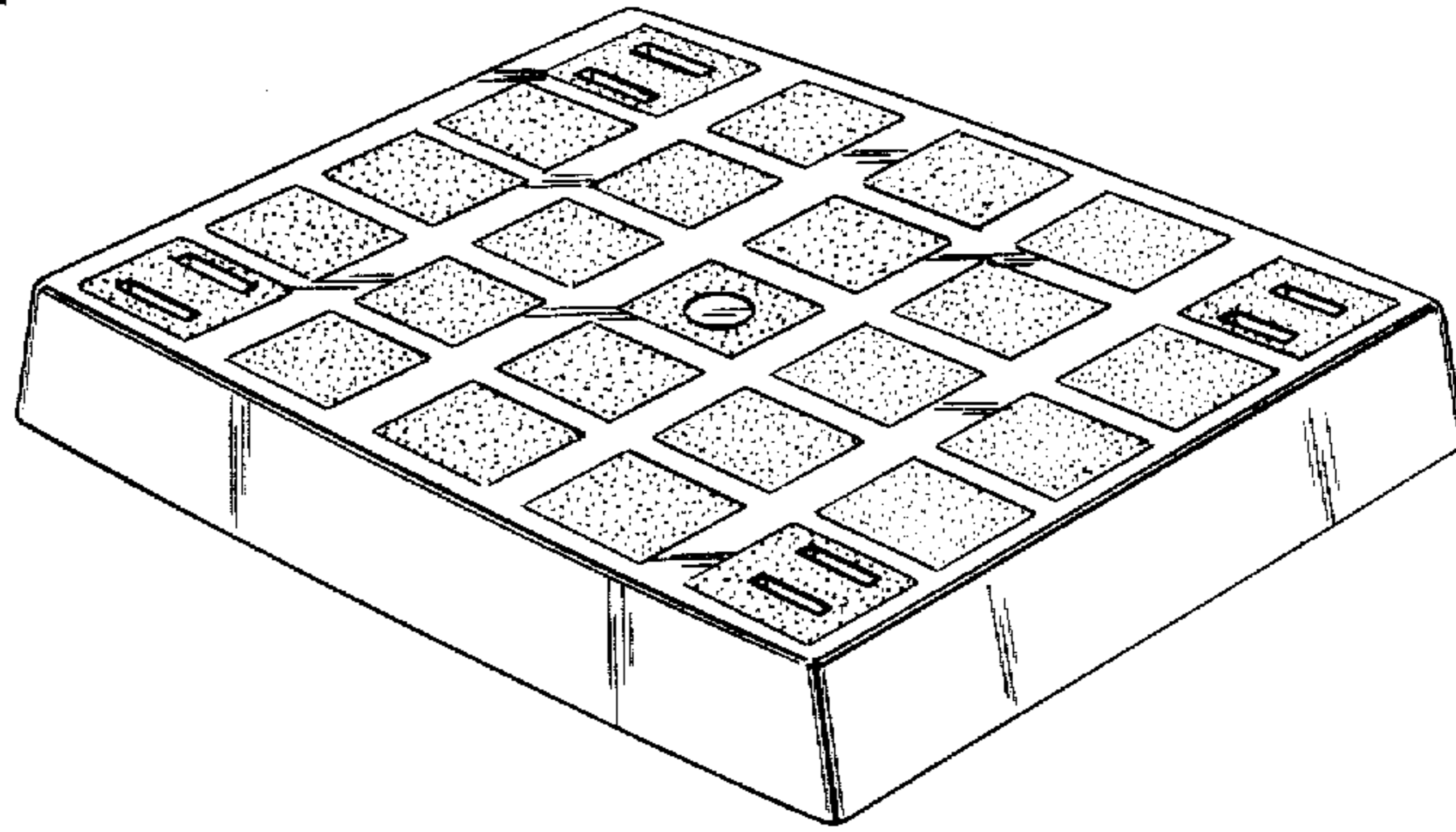


Fig. 7

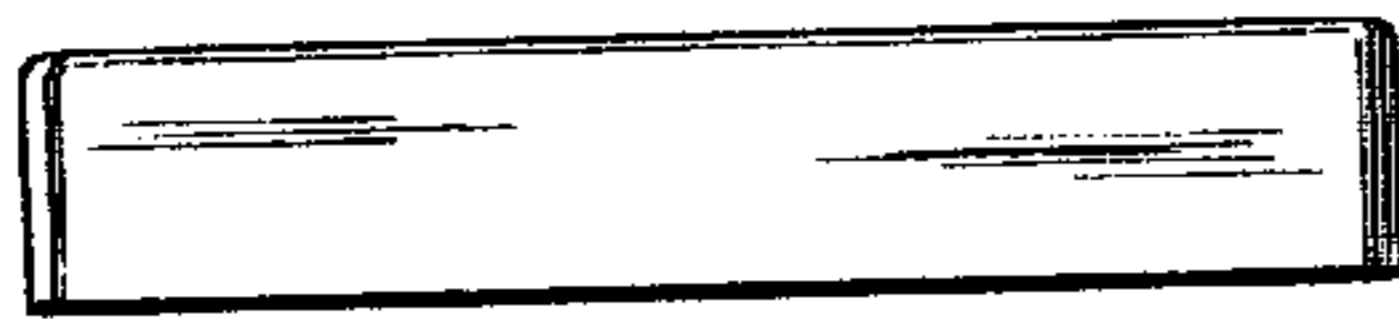
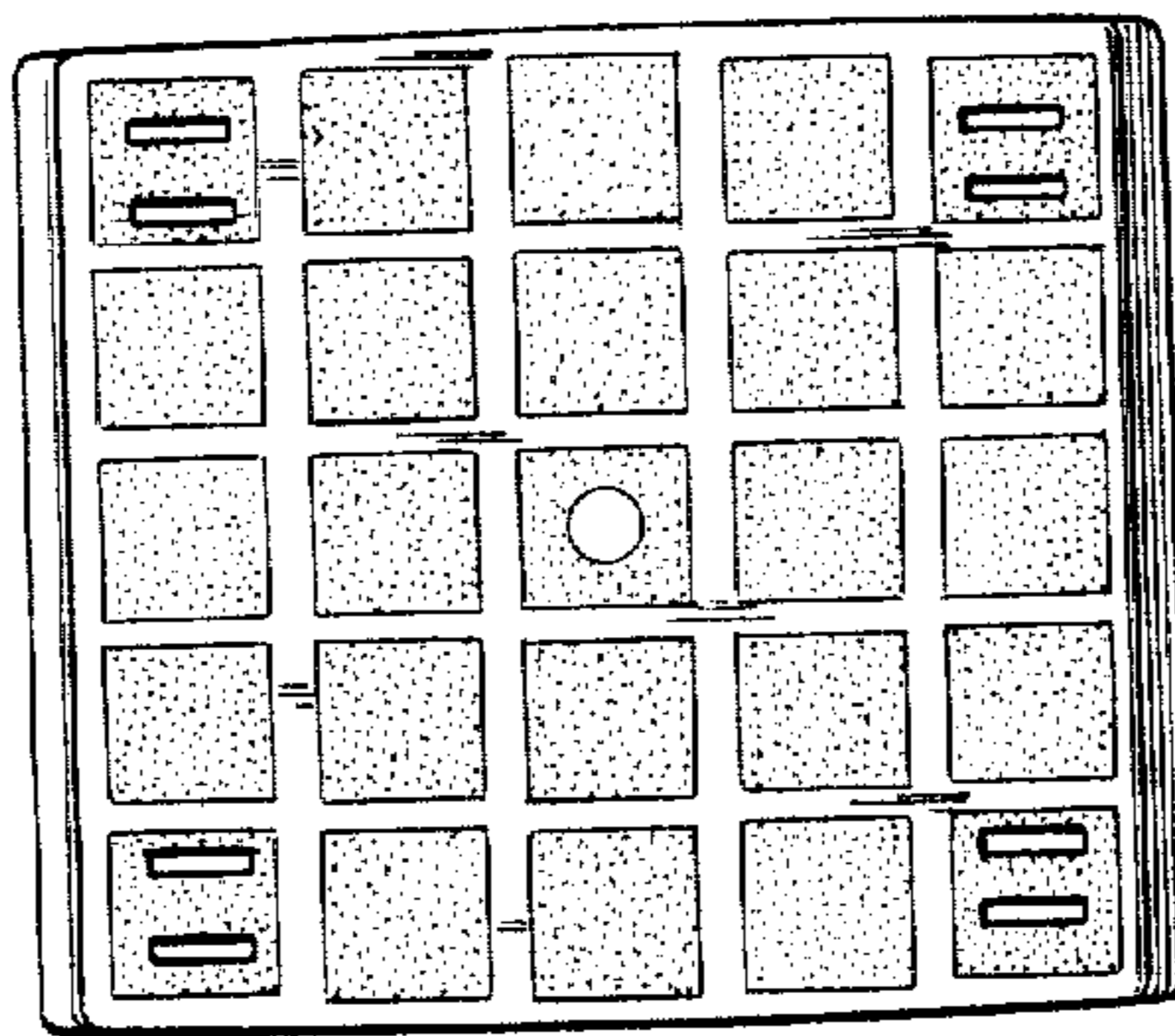


Fig. 8

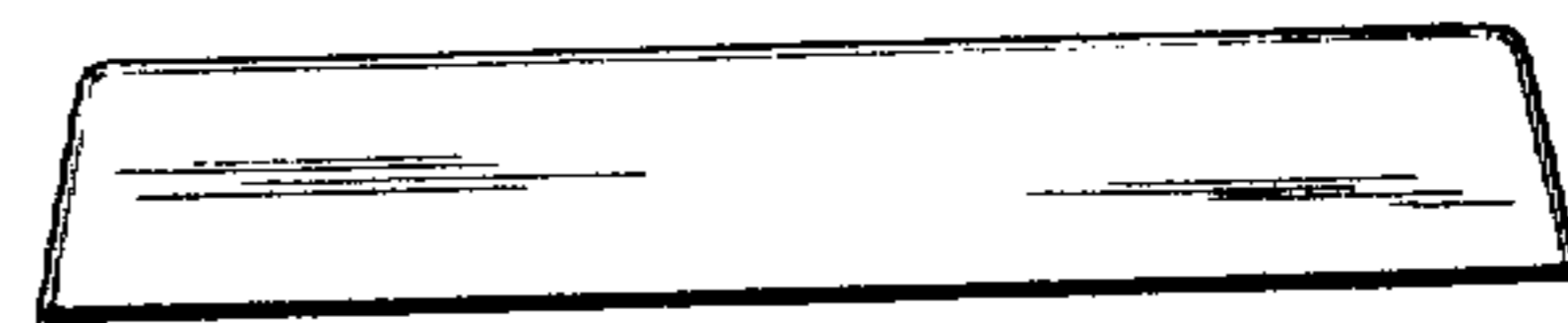


Fig. 9

Fig. 10

