

[54] PORTABLE SEAT OR SIMILAR ARTICLE

3,283,853 11/1966 Brophy D6/32 X

[75] Inventors: James Nichols, Old Saybrook, Conn.; Franklyn M. Markus, 5725 Cote St. Luc, Hampstead, Quebec, Canada, H3X 2E6

Primary Examiner—Bruce W. Dunkins
Attorney, Agent, or Firm—Paul J. Sutton

[73] Assignee: Franklyn M. Markus, Hampstead, Canada

[57] CLAIM

The ornamental design for a portable seat or similar article, as shown and described.

[**] Term: 14 Years

DESCRIPTION

[21] Appl. No.: 149,407

FIG. 1 is a top plan view of a portable seat or similar article showing our design in its folded condition;

[22] Filed: May 13, 1980

FIG. 2 is a bottom plan view of the design of the present invention shown in FIG. 1;

[51] Int. Cl. D6—01

[52] U.S. Cl. D6/32; D6/17; D6/47; D6/58; D6/76

FIG. 3 is a side elevational view of the design according to the present invention shown in unfolded condition, this view representing a mirror image of the side elevational view of its opposite side;

[58] Field of Search D6/32-36, D6/41, 47-78; 297/16, 17

FIG. 4 is a front elevational view of the design shown in FIG. 3;

[56] References Cited

U.S. PATENT DOCUMENTS

D. 170,100	7/1953	Torsak	D6/36
D. 206,379	12/1966	Good	D6/32
2,729,276	1/1956	Volney	297/17
2,829,705	4/1958	Godshalk et al.	D6/32 X

FIG. 5 is a rear elevational view of the design shown in FIG. 3;

FIG. 6 is a perspective-type view of the design shown in FIG. 3; and

FIG. 7 is a side elevational view of the design shown in FIG. 1 in its folded condition, this view being a mirror image of the opposite side elevation.

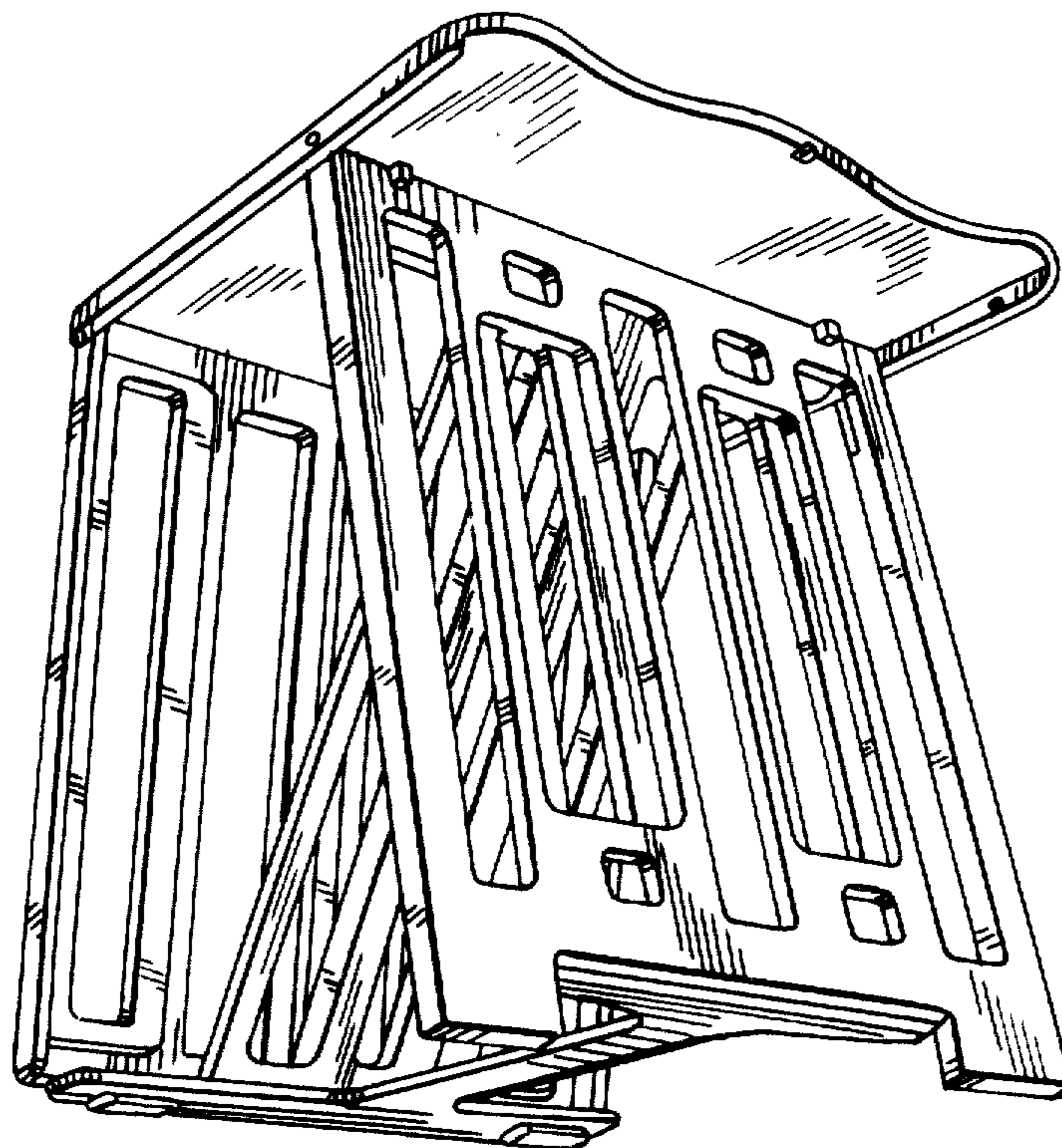


FIG. 1

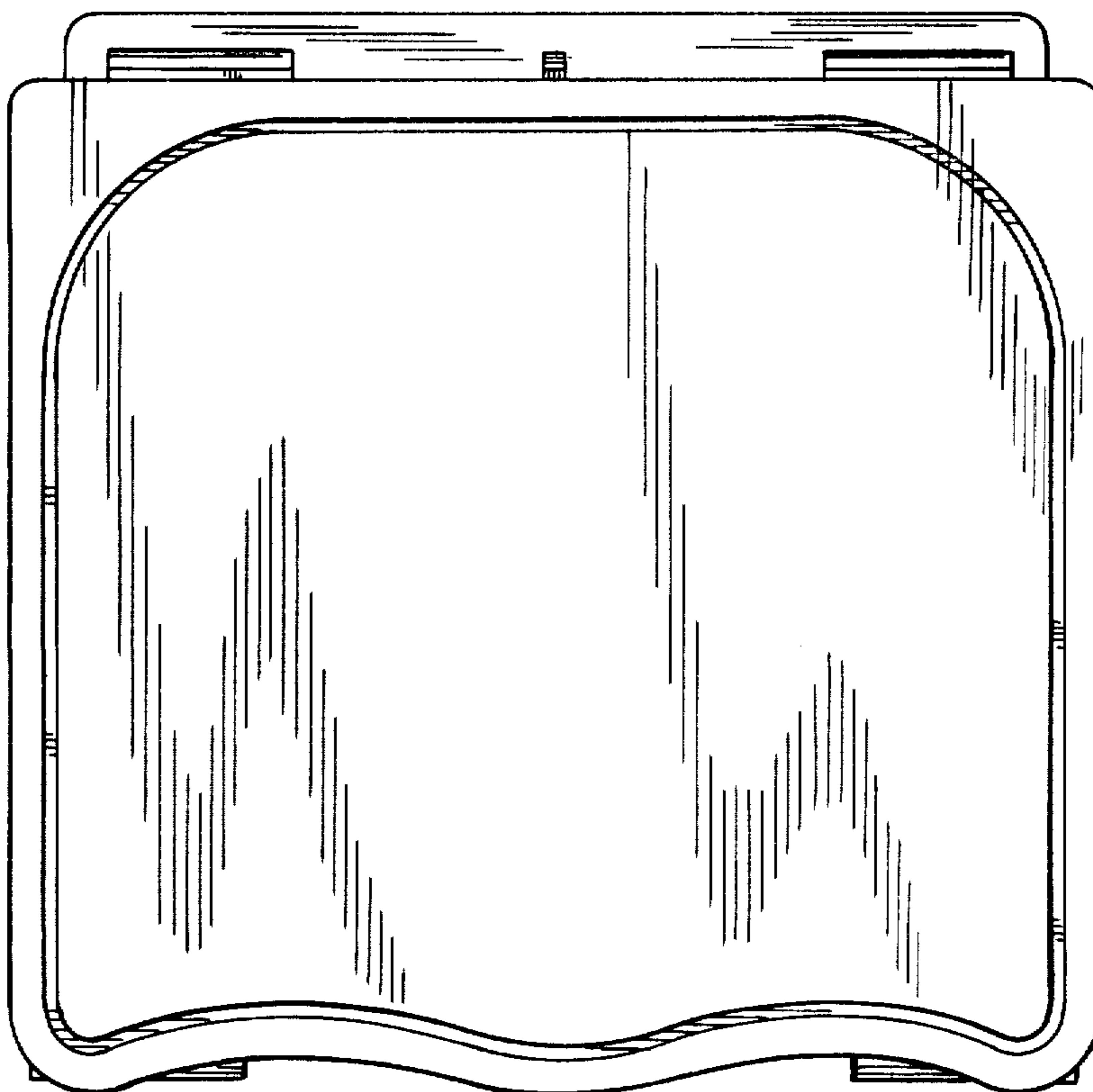


FIG. 2

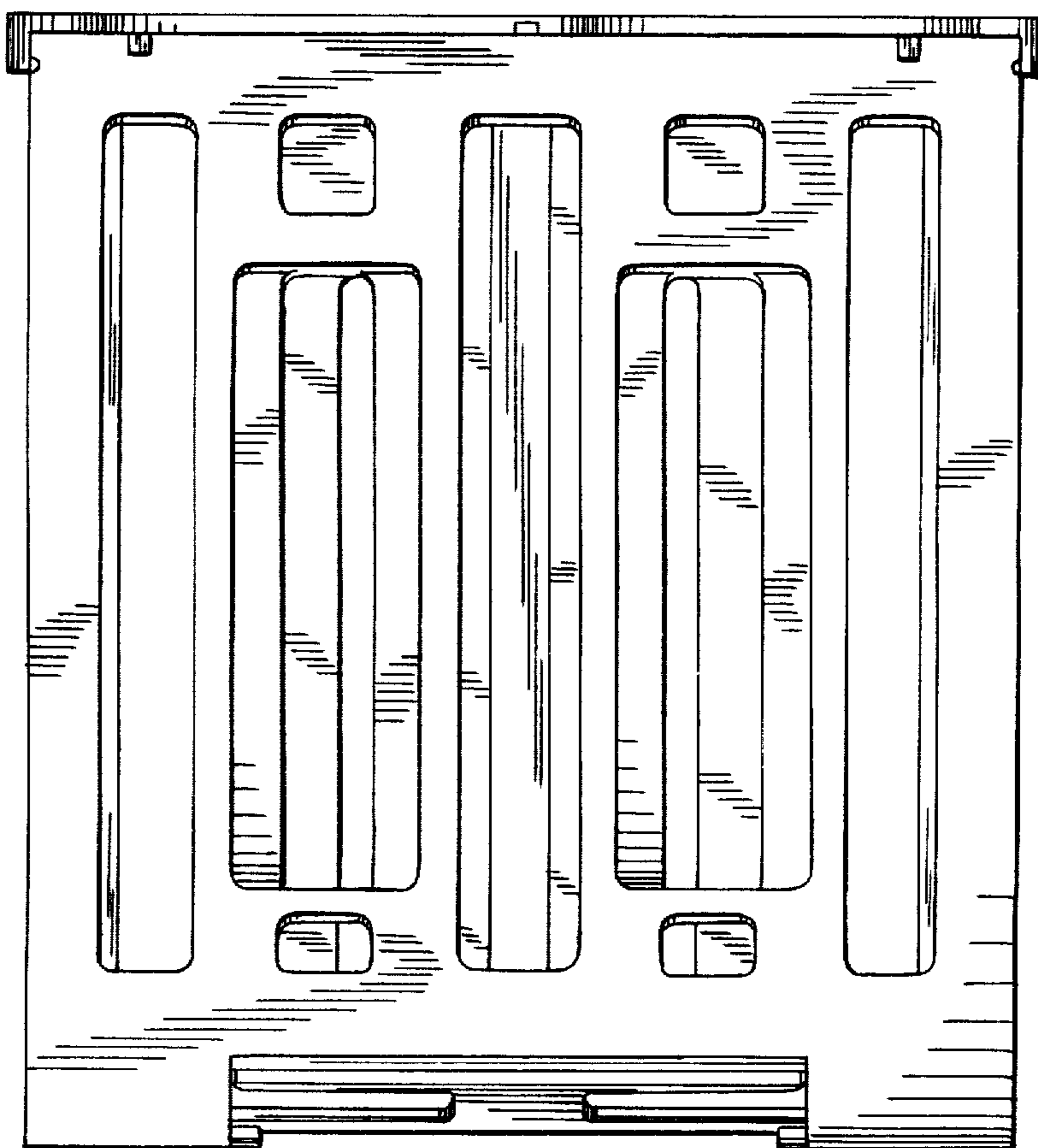


FIG. 4

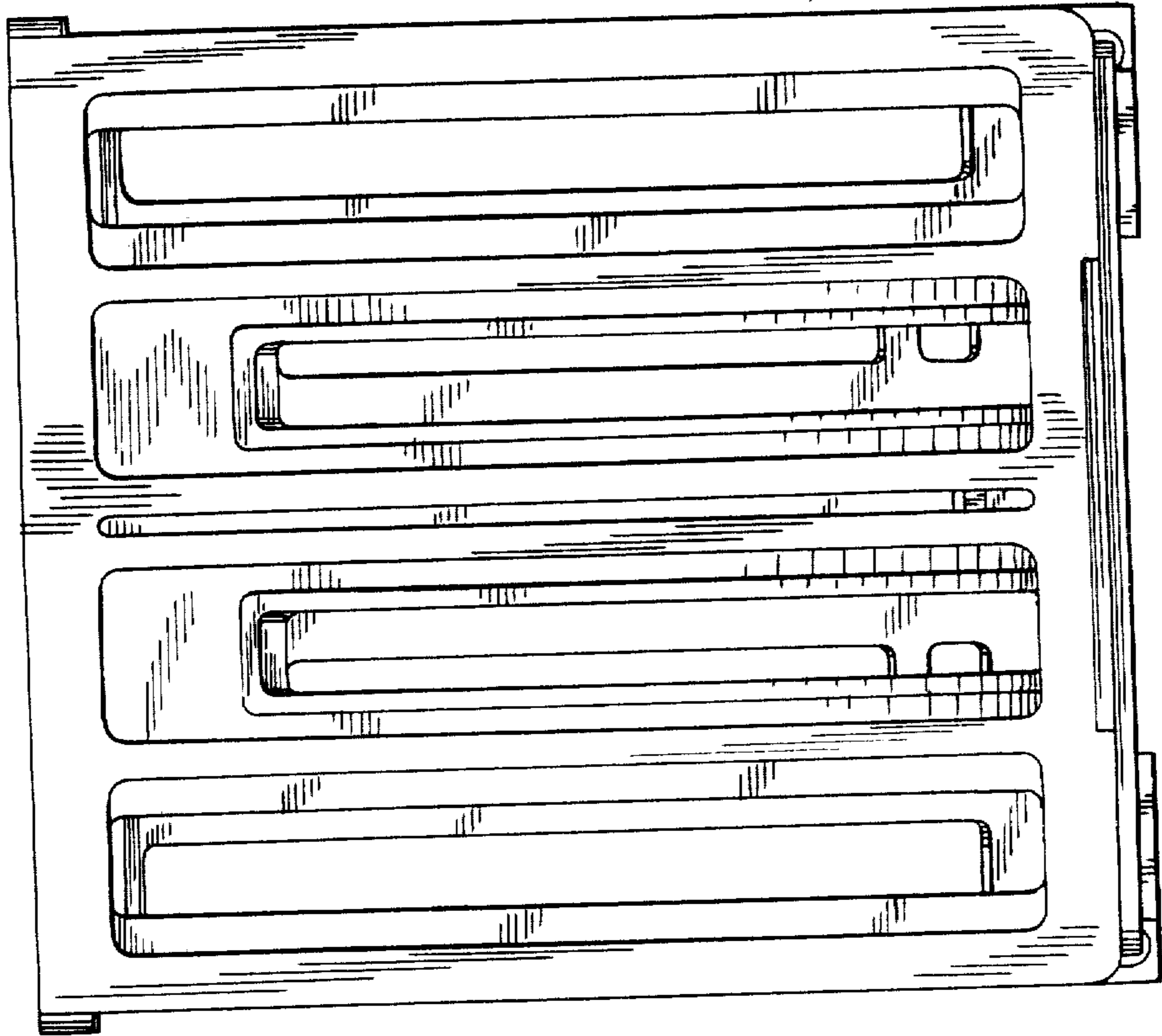


FIG. 3

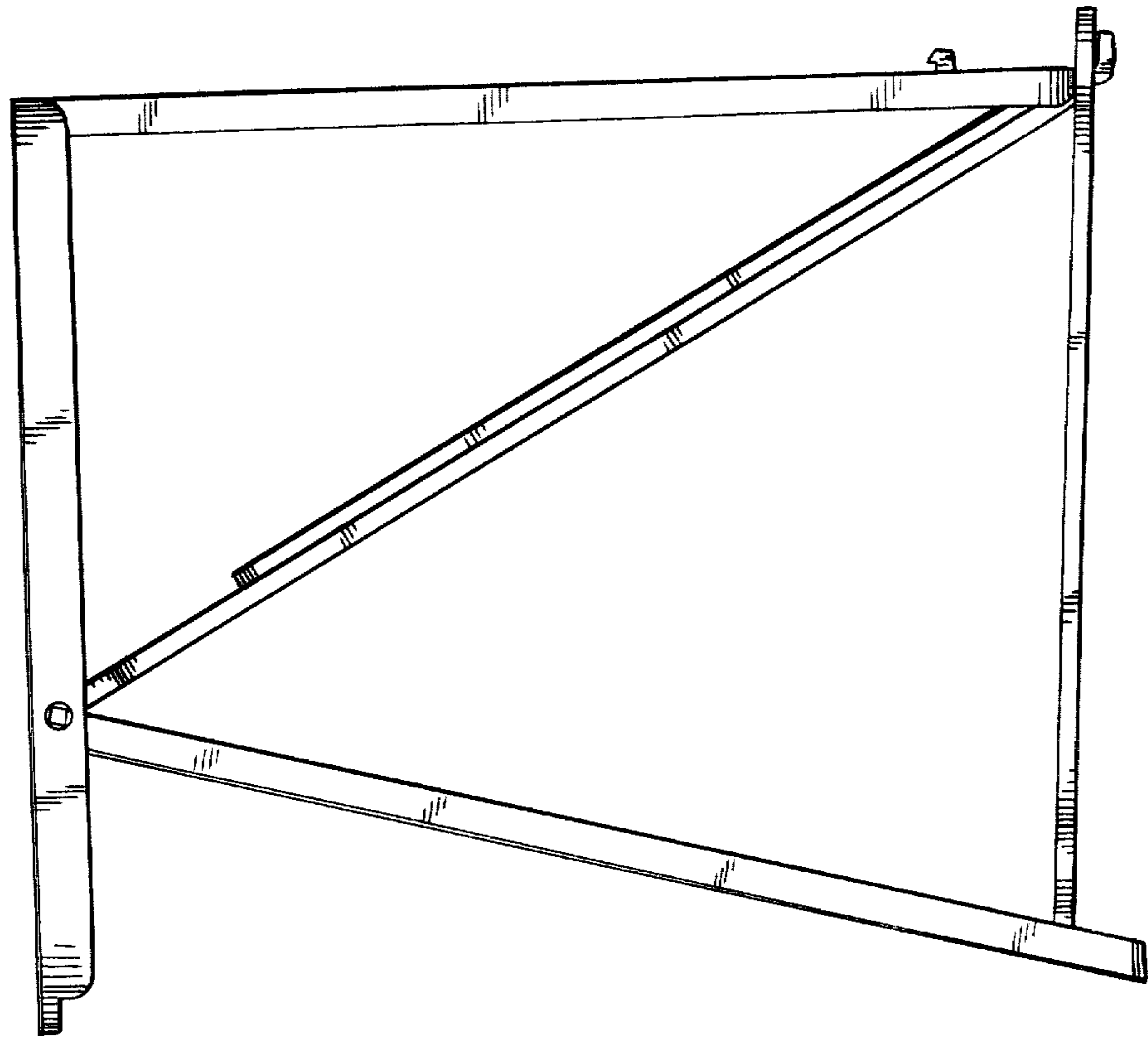


FIG. 5

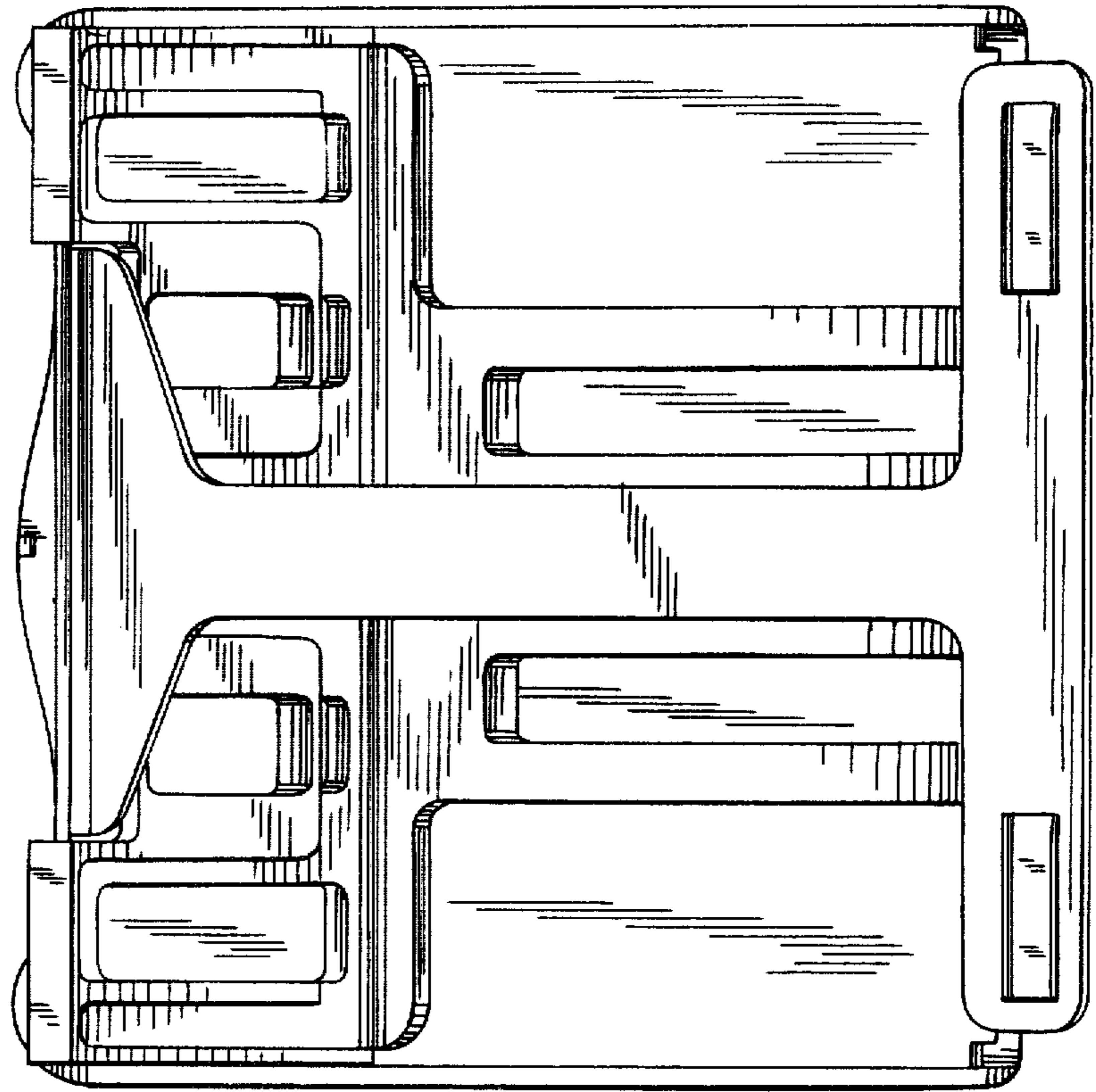


FIG. 6

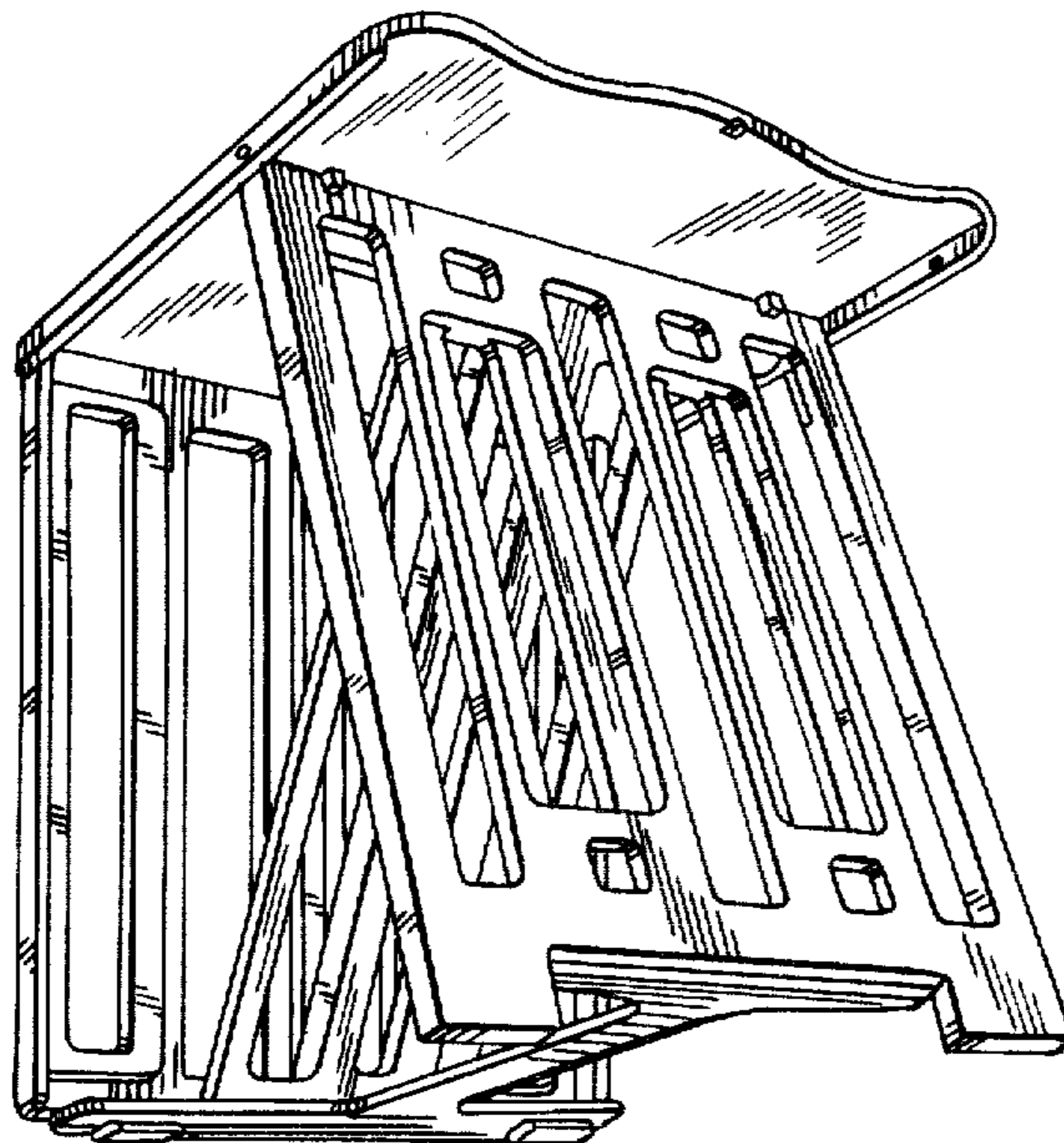


FIG. 7

