

[54] CRADLE

[76] Inventor: Armand A. Giglio, Turk Hill Rd.,  
Brewster, N.Y. 10509

[\*\*] Term: 14 Years

[21] Appl. No.: 99,972

[22] Filed: Dec. 3, 1979

[51] Int. Cl. .... D6-01

[52] U.S. Cl. .... D6/15

[58] Field of Search ..... D6/14, 3, 15, 16;  
5/103, 108

[56] References Cited

U.S. PATENT DOCUMENTS

- D. 151,969 12/1948 Davis ..... D6/14
- D. 166,484 4/1952 Nash ..... D6/3
- D. 229,131 11/1973 Brizzolara ..... D6/14

- D. 239,676 4/1976 McGinley ..... D6/15
- 3,335,433 8/1967 Stopek ..... D6/15 X
- 4,251,890 2/1981 Dainty, Jr. .... 5/103

Primary Examiner—Bruce W. Dunkins  
Attorney, Agent, or Firm—Henry R. Lerner

[57] CLAIM

The ornamental design for a cradle, substantially as shown and described.

DESCRIPTION

FIG. 1 is a perspective view of a cradle showing my design;

FIG. 2 is an end elevational view;

FIG. 3 is a side elevational view;

FIG. 4 is a top plan view; and

FIG. 5 is a bottom plan view thereof.

The end and side not shown are the same in appearance as the end and side shown in FIGS. 2 and 3 respectively.

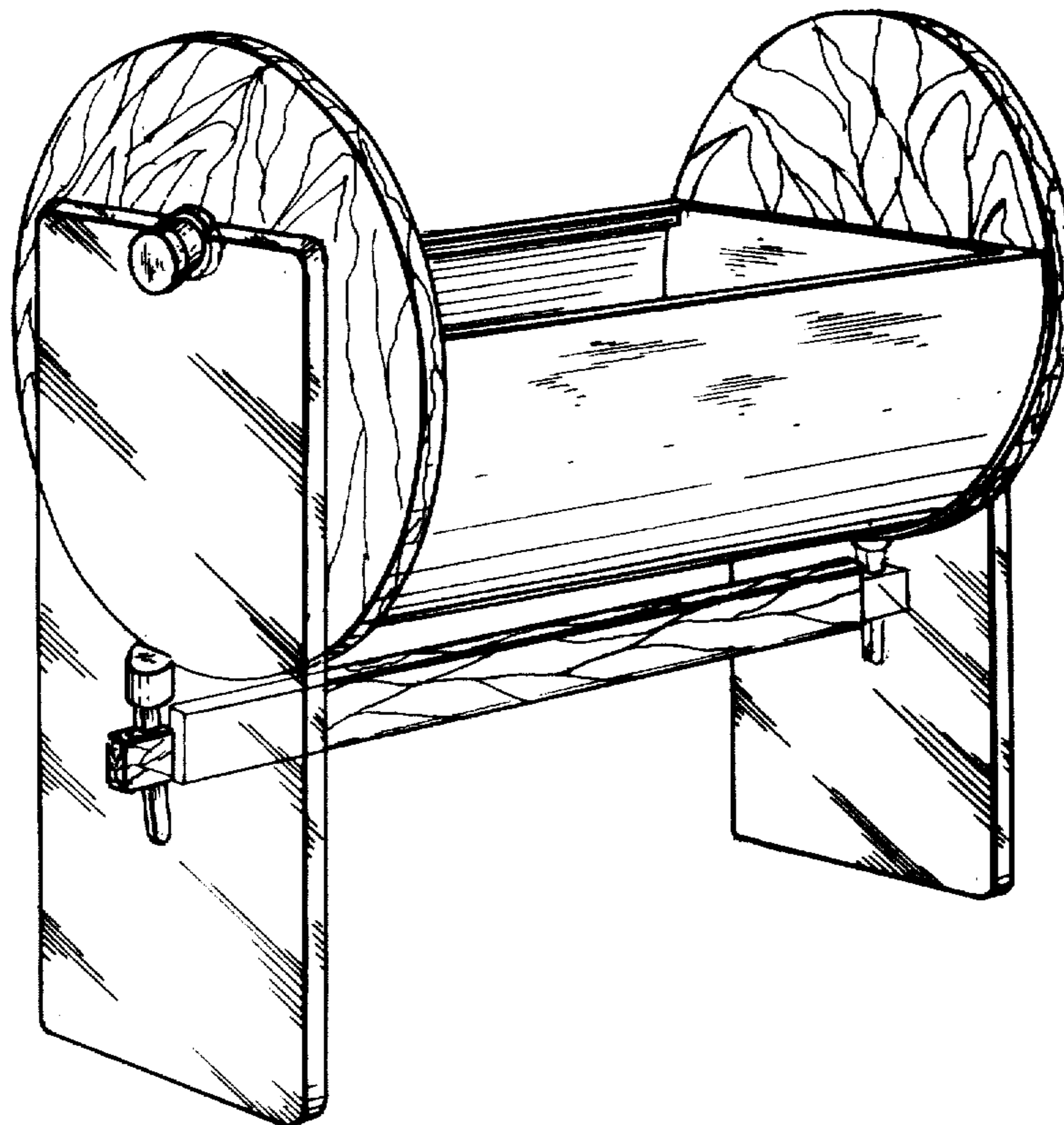


FIG. 1.

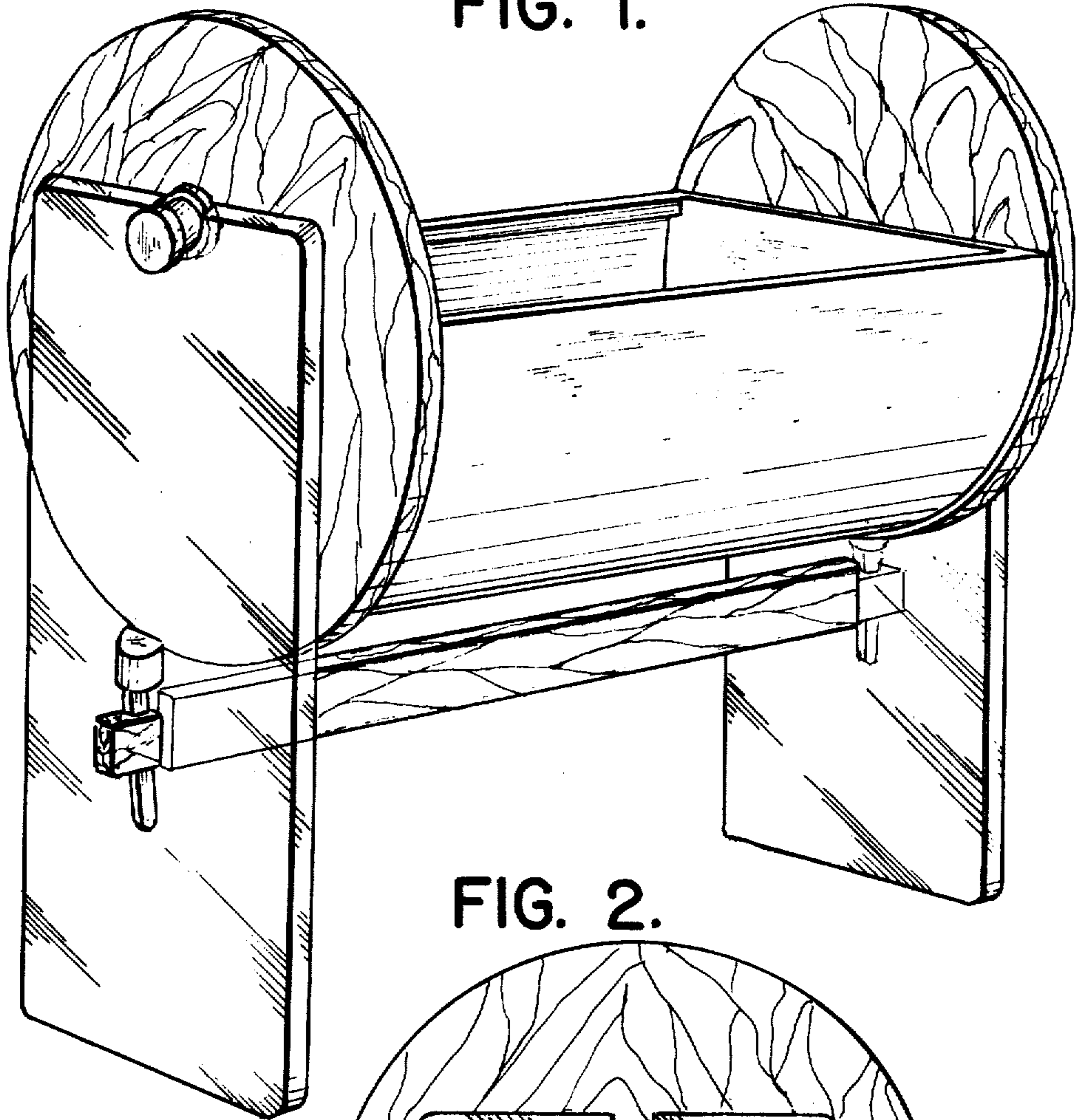


FIG. 2.

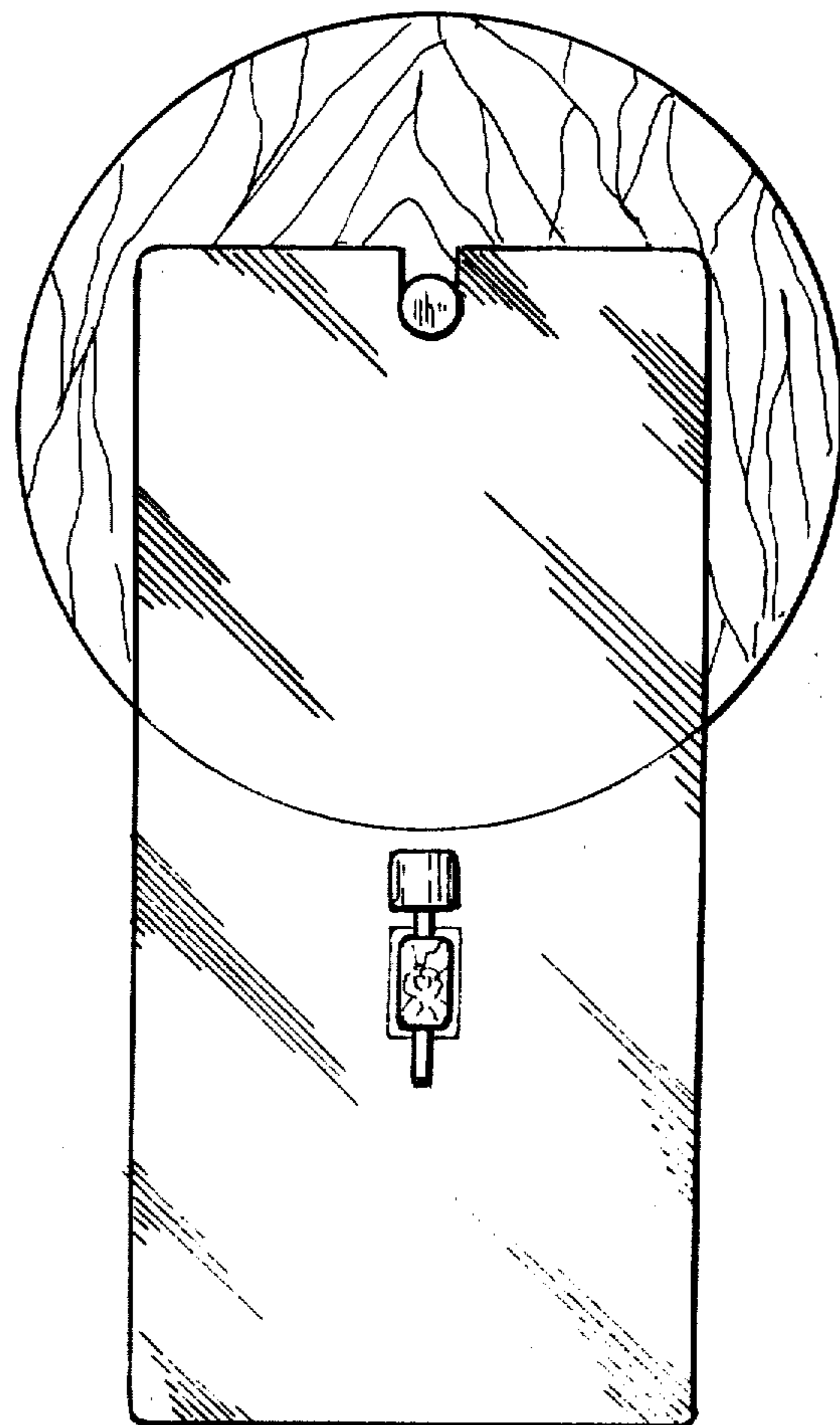


FIG. 3.

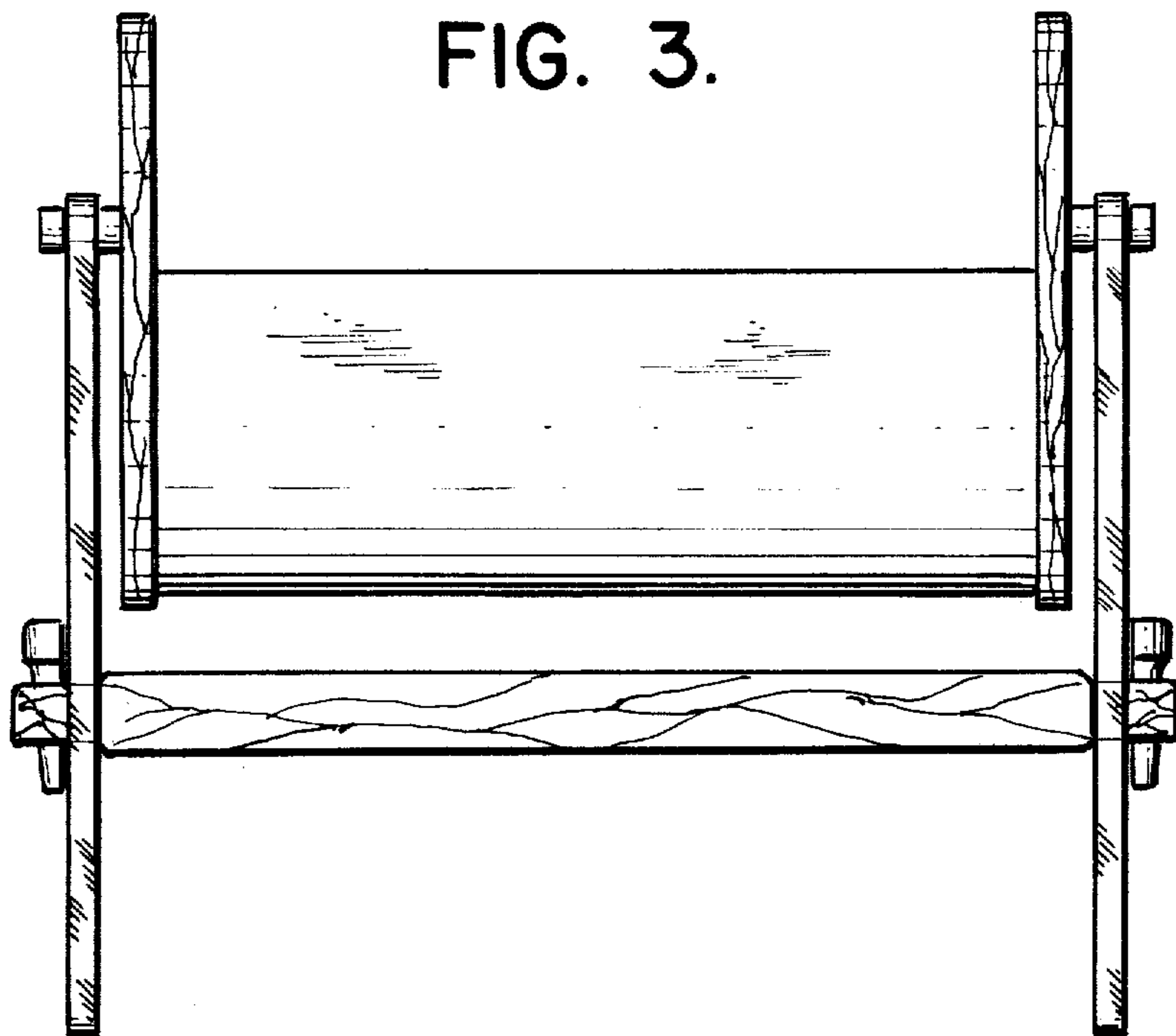


FIG. 4.

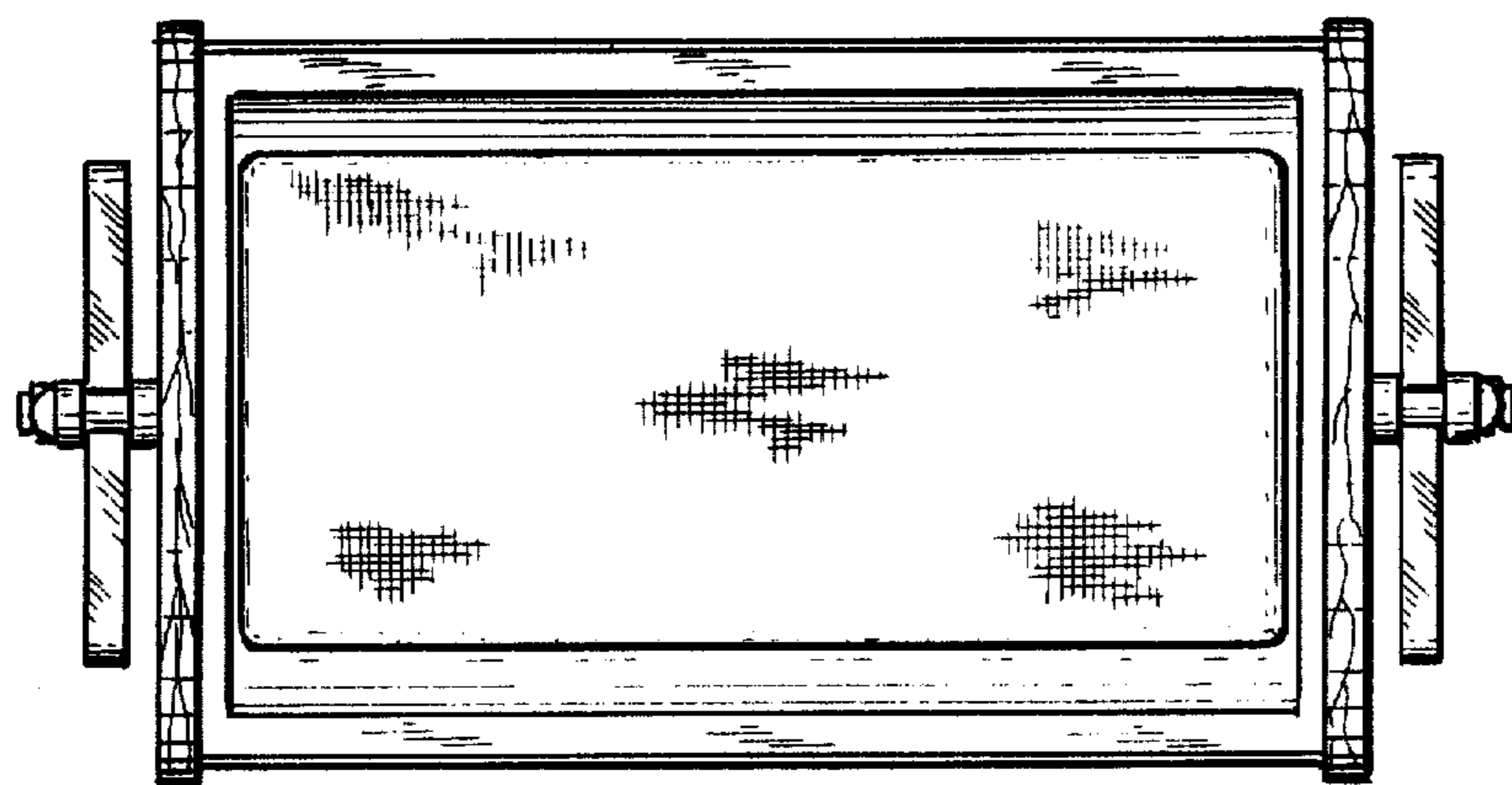


FIG. 5.

