

[54] ELECTRIC AMBIENT AIR BREATHING PUMP

[76] Inventor: Edwin Reinhorn, 8402-E N. Magnolia, Santee, Calif. 92071

[**] Term: 14 Years

[21] Appl. No.: 149,277

[22] Filed: May 12, 1980

[51] Int. Cl. D24-01; D15-02

[52] U.S. Cl. D29/7; D15/7

[58] Field of Search 128/207.14, 200.24, 128/276; 417/399, 400, 401, 402, 403, 404; D29/7; D15/7

[56] References Cited

U.S. PATENT DOCUMENTS

- D. 194,570 2/1963 Johnson D15/7
- D. 222,687 11/1971 Adams D29/7

- D. 225,692 12/1972 Bird et al. D29/7
- D. 246,976 1/1978 Bell et al. D15/7
- 3,379,194 4/1968 Ziermann D29/7 X
- 3,530,872 9/1970 Arp 417/404 X
- 3,805,780 4/1974 Cramer et al. 417/402 X
- 4,224,939 9/1980 Lang 128/207.14 X

Primary Examiner—Bernard Ansher
Attorney, Agent, or Firm—Ralph S. Branscomb

[57] CLAIM

The ornamental design for an electric ambient air breathing pump, as shown and described.

DESCRIPTION

FIG. 1 is a top plan view of an electric ambient air breathing pump showing my new design; FIG. 2 is a rear elevational view thereof; FIG. 3 is a left side elevational view thereof; FIG. 4 is a right side elevational view thereof; FIG. 5 is a front elevational view thereof; and FIG. 6 is a bottom plan view thereof.

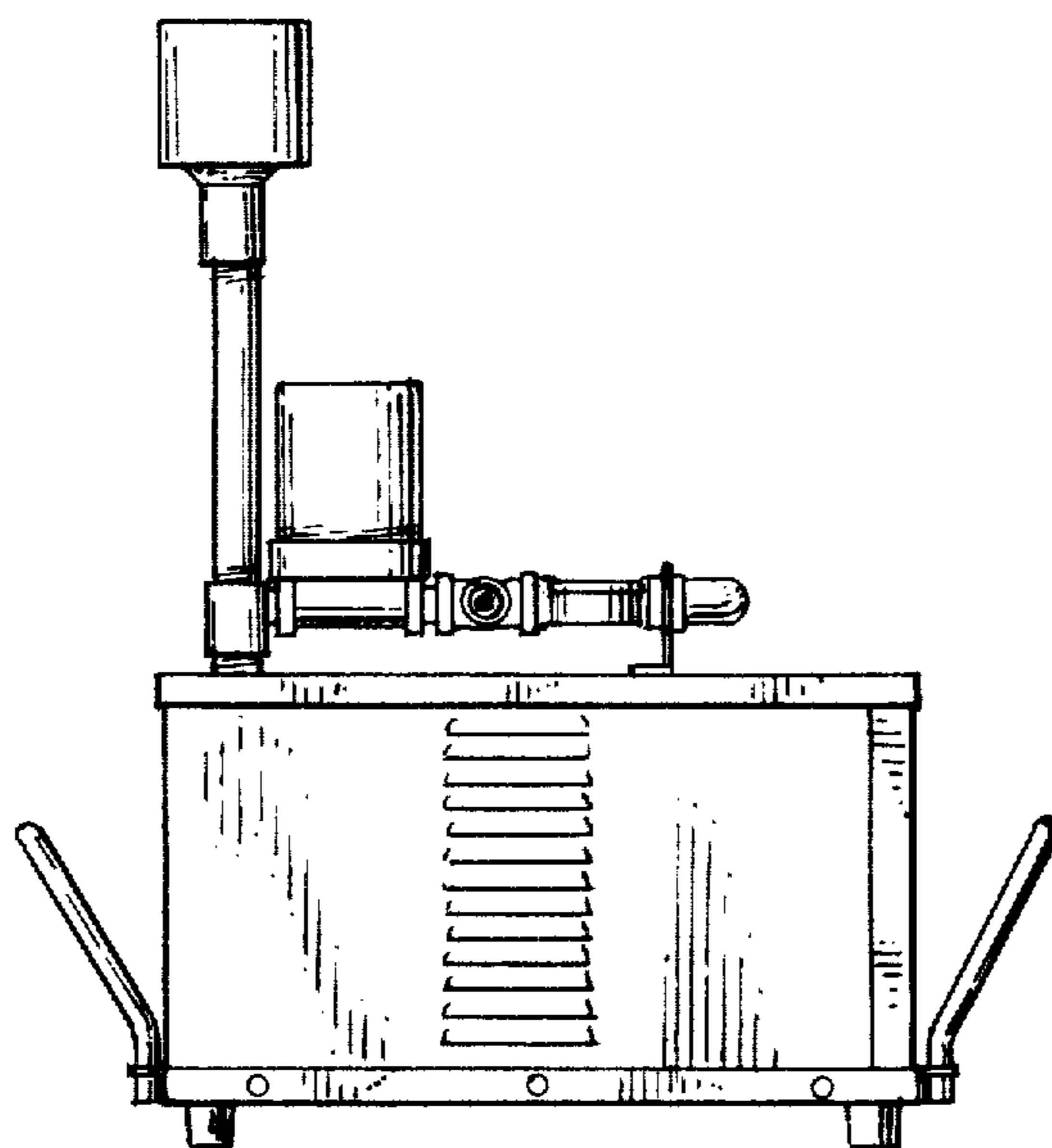
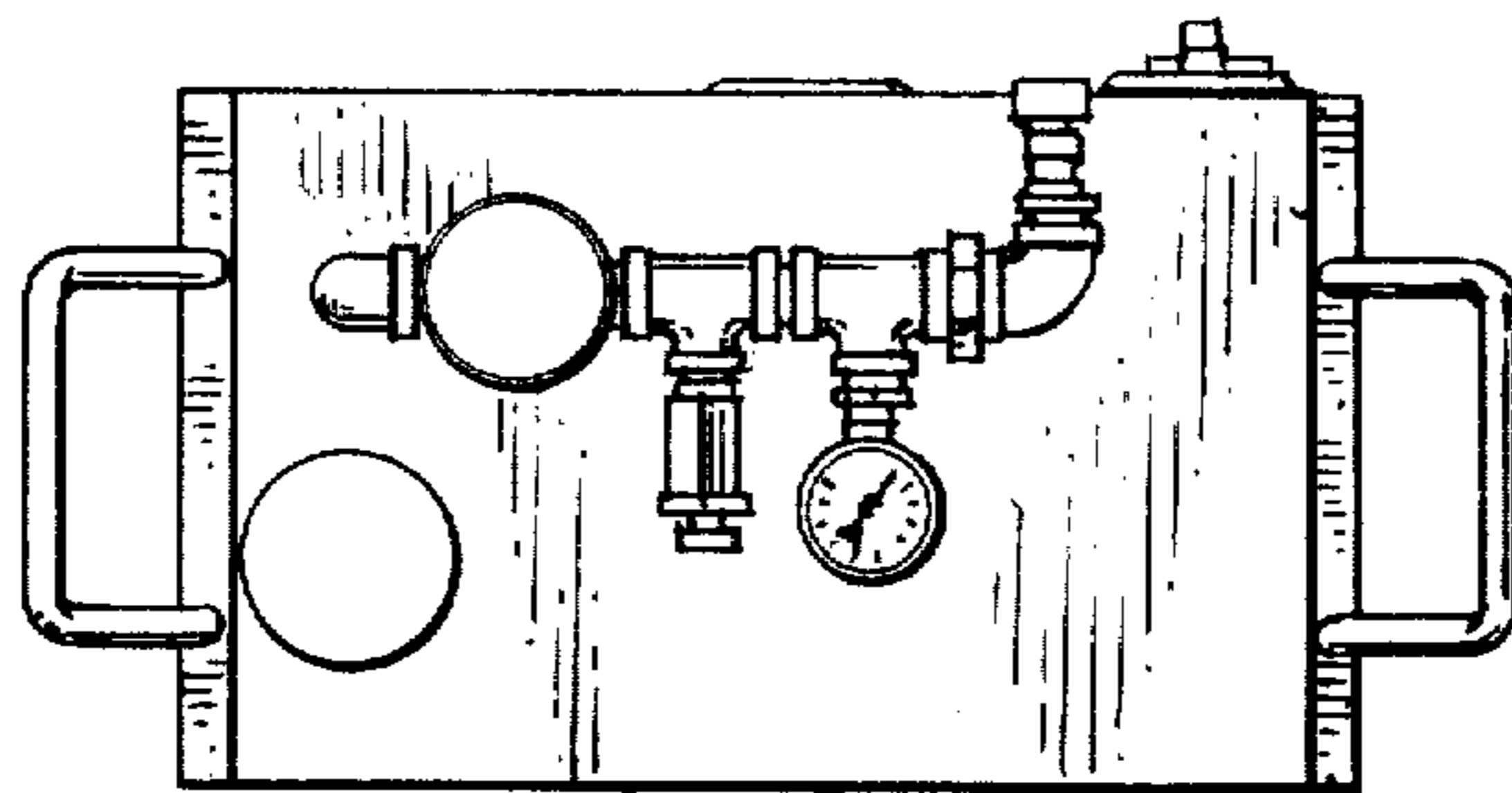


FIG. 1

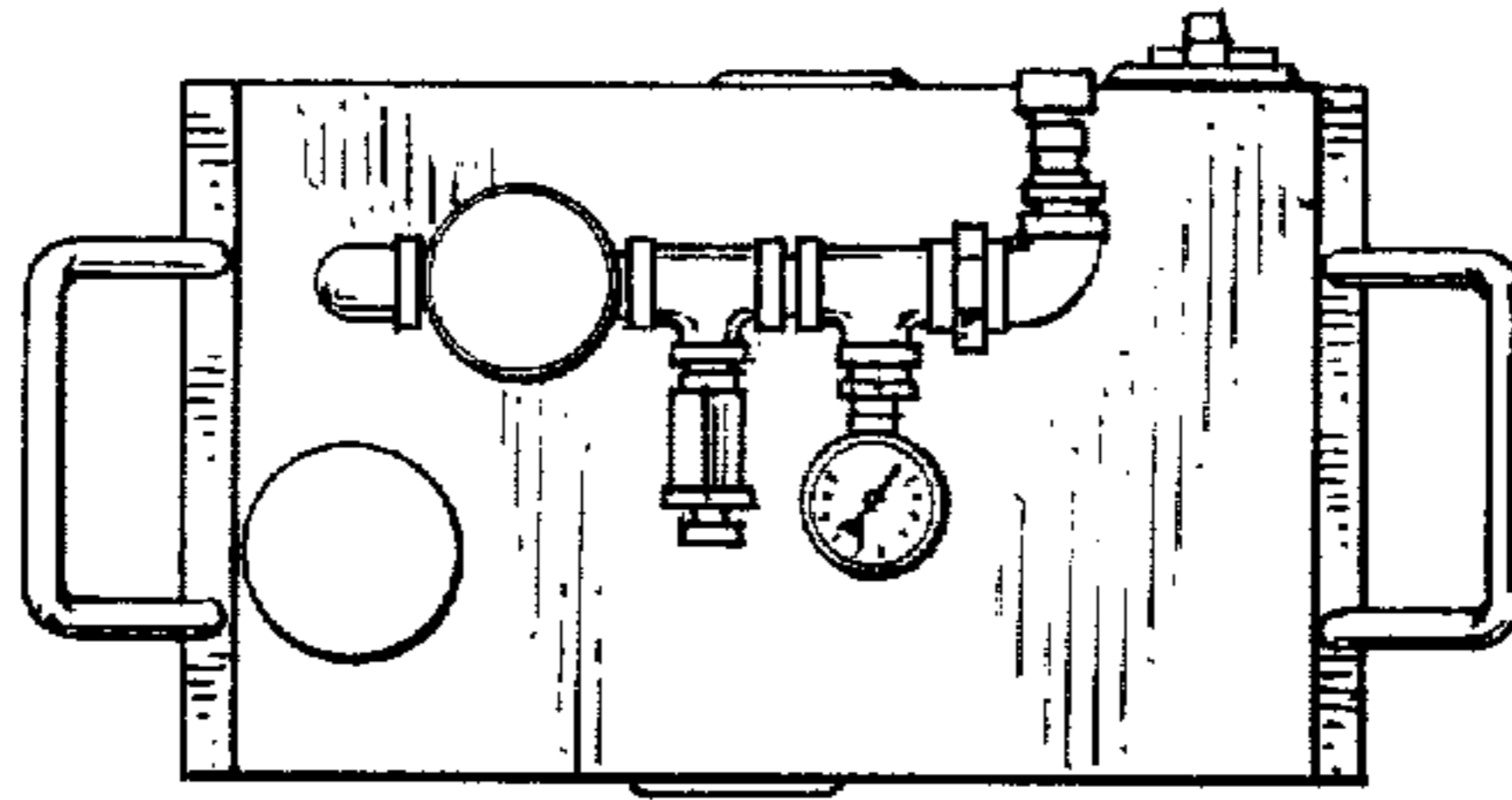


FIG. 2

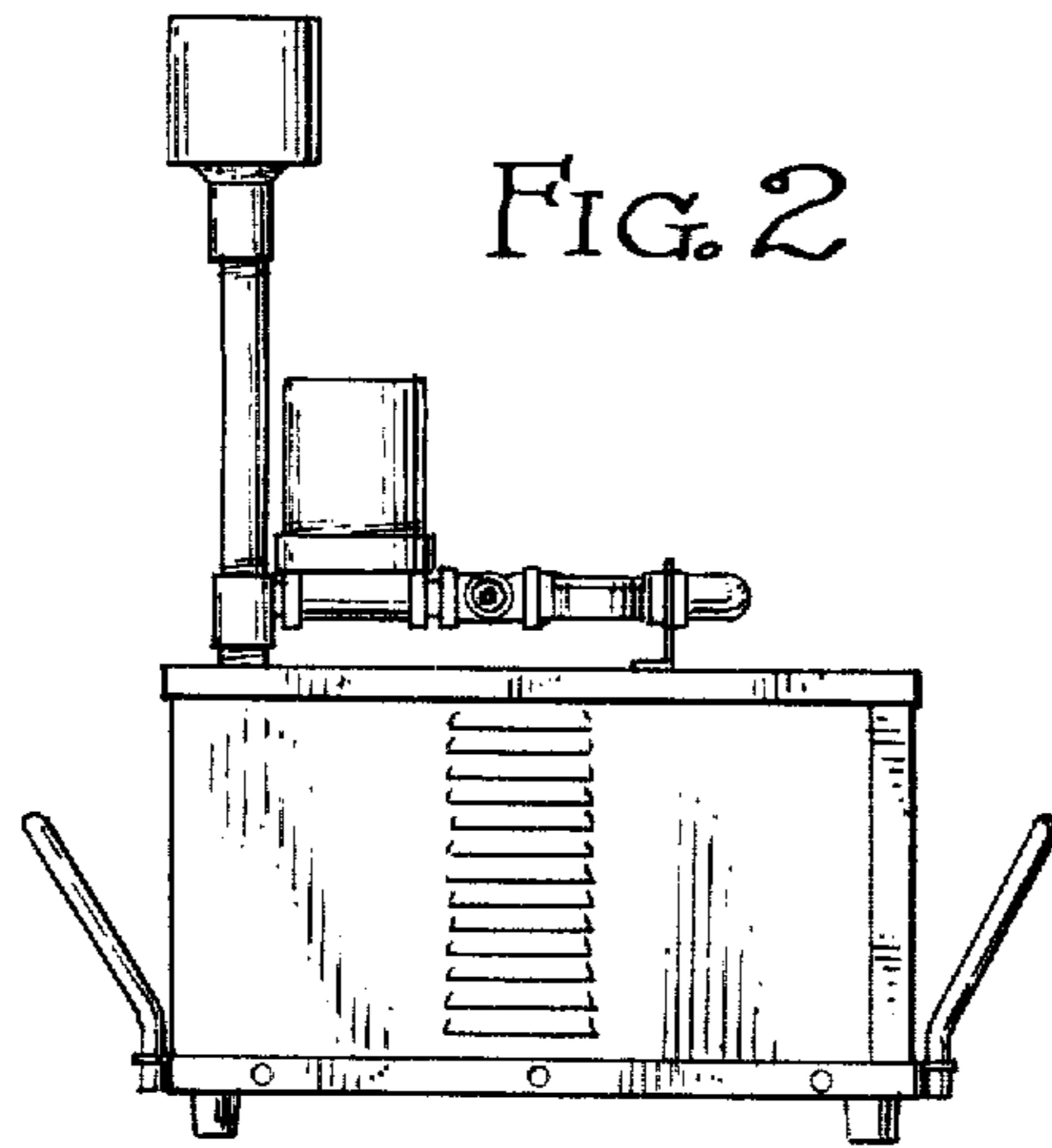


FIG. 3

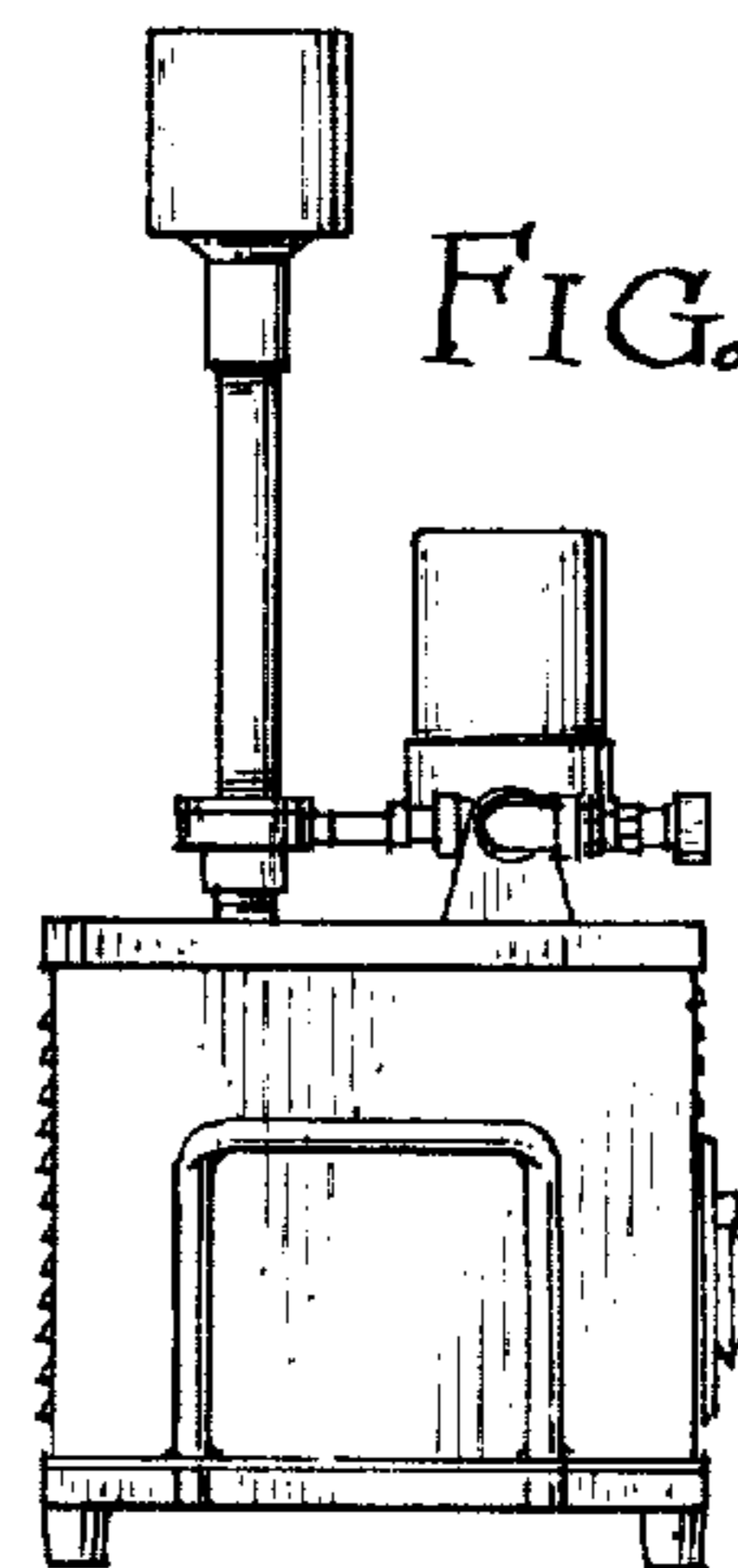


FIG. 4

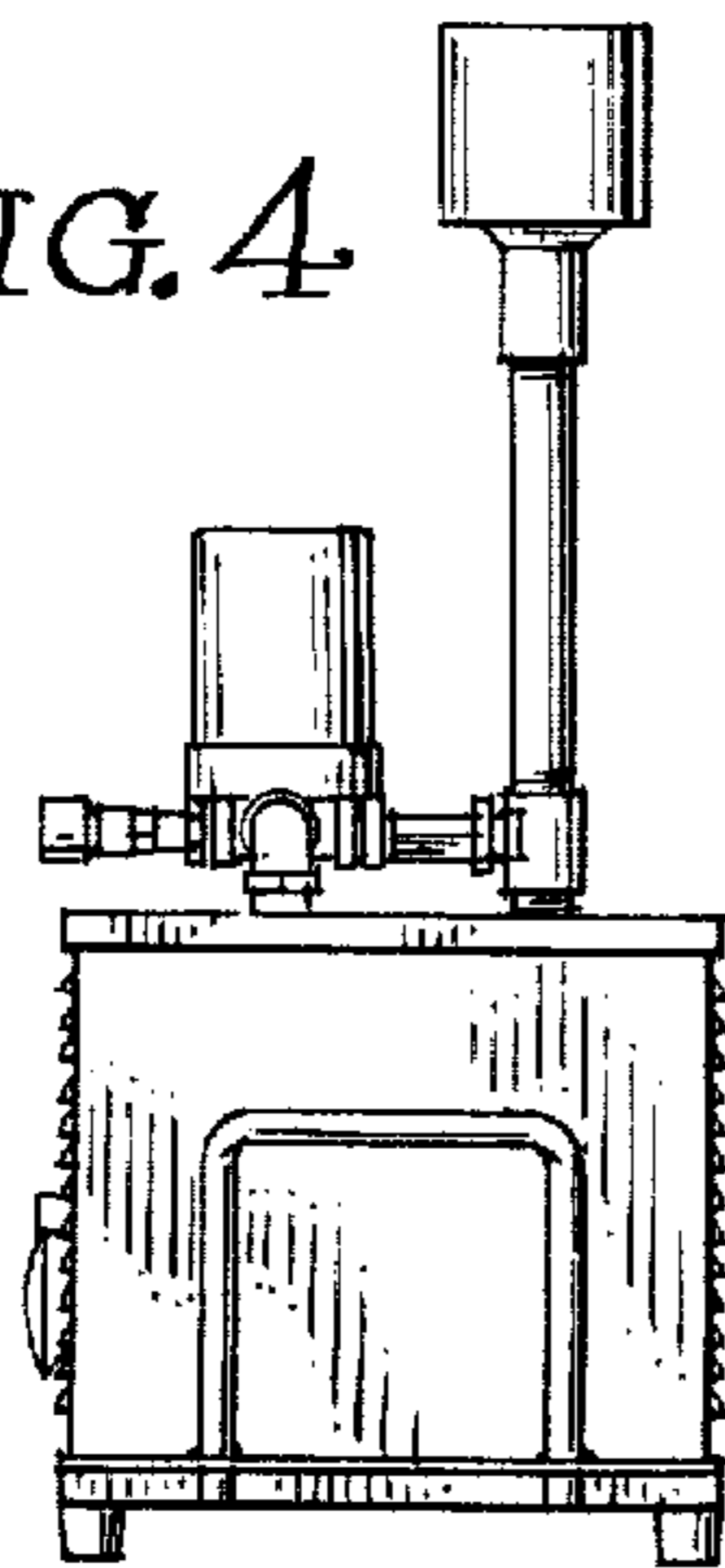


FIG. 5

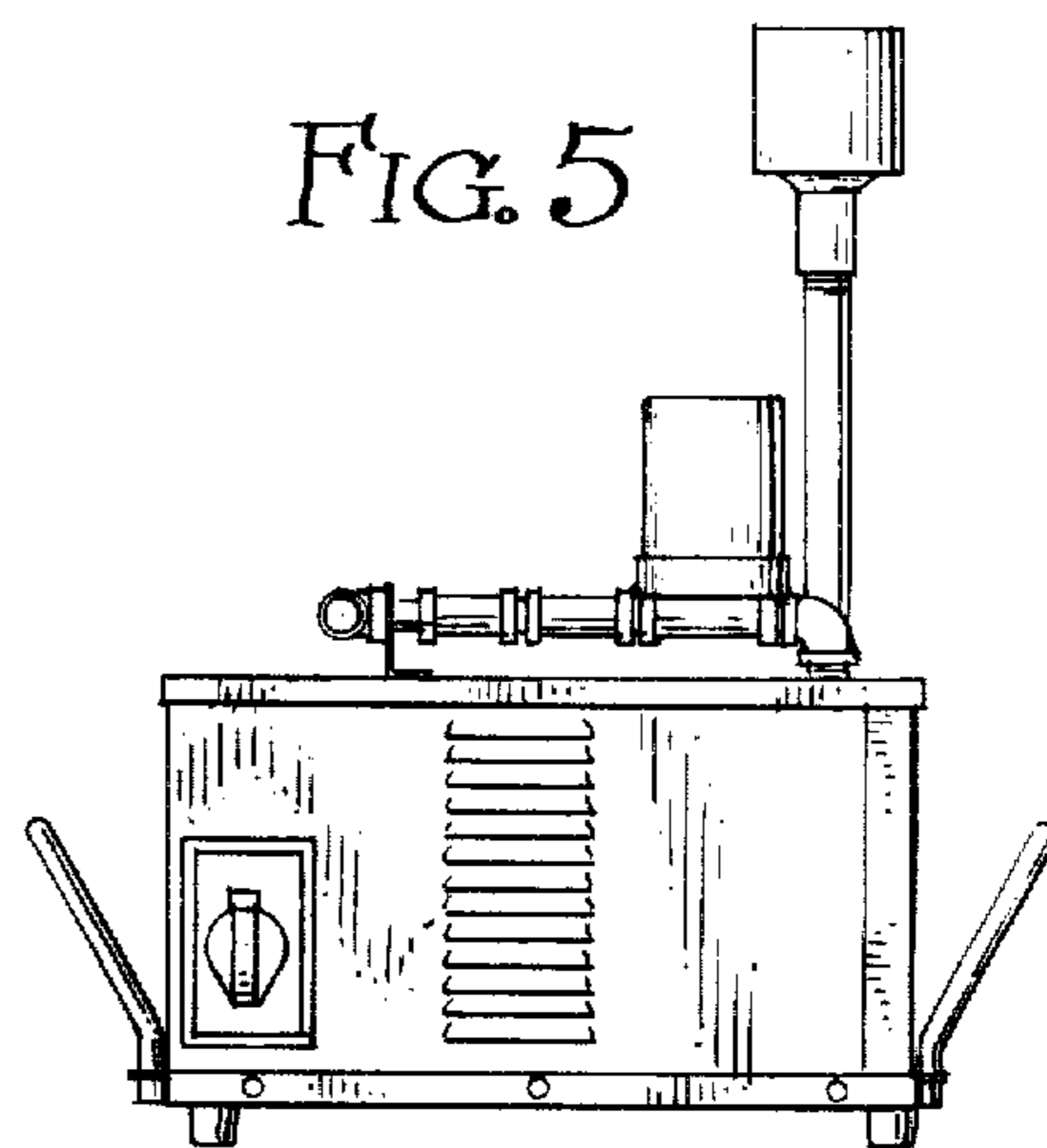


FIG. 6

