

[54] DENTAL FLOSS HOLDER

[76] Inventor: Michael D. Davis, Box 25, Sadorus, Ill. 61872

[\*\*] Term: 14 Years

[21] Appl. No.: 138,200

[22] Filed: Apr. 7, 1980

[51] Int. Cl. .... D24-99

[52] U.S. Cl. .... D28/64

[58] Field of Search ..... D28/64; 132/92 R, 91, 132/89, 90

[56] References Cited

U.S. PATENT DOCUMENTS

- D. 237,498 11/1975 Bennington ..... D28/64
- D. 251,859 5/1979 Kent ..... D28/64
- 3,378,017 4/1968 Stiles ..... 132/92 R

- 3,747,611 7/1973 Bennington ..... 132/91
- 3,908,677 9/1975 Beach ..... 132/91

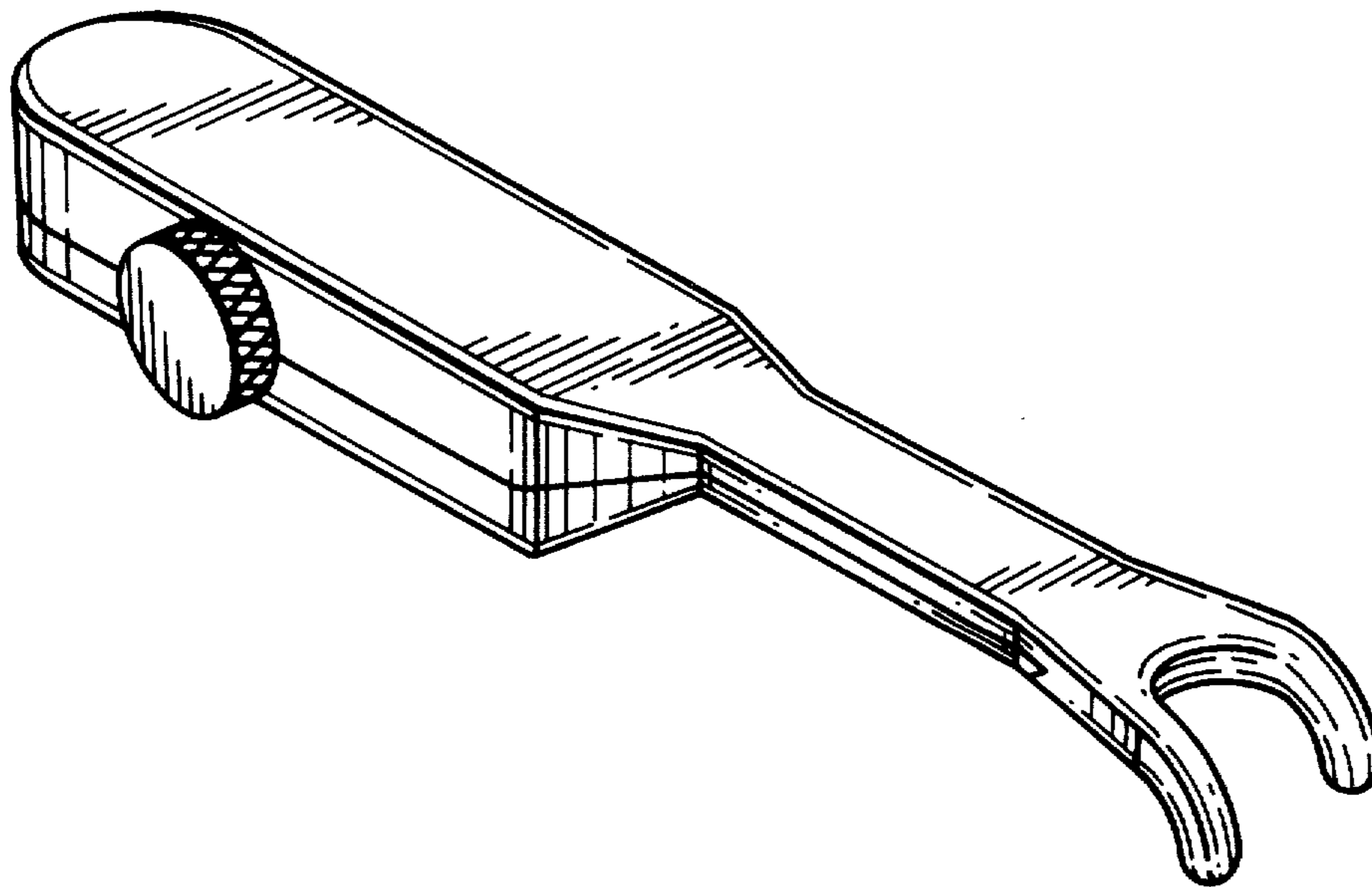
Primary Examiner—Bernard Ansher  
Attorney, Agent, or Firm—Allegretti, Newitt, Witcoff & McAndrews

[57] CLAIM

The ornamental design for a dental floss holder, as shown and described.

DESCRIPTION

FIG. 1 is a top perspective view of a dental floss holder showing my new design;  
FIG. 2 is a top plan view;  
FIG. 3 is a right side elevational view;  
FIG. 4 is a rear elevational view;  
FIG. 5 is a front elevational view;  
FIG. 6 is a left side elevational view; and  
FIG. 7 is a bottom plan view.



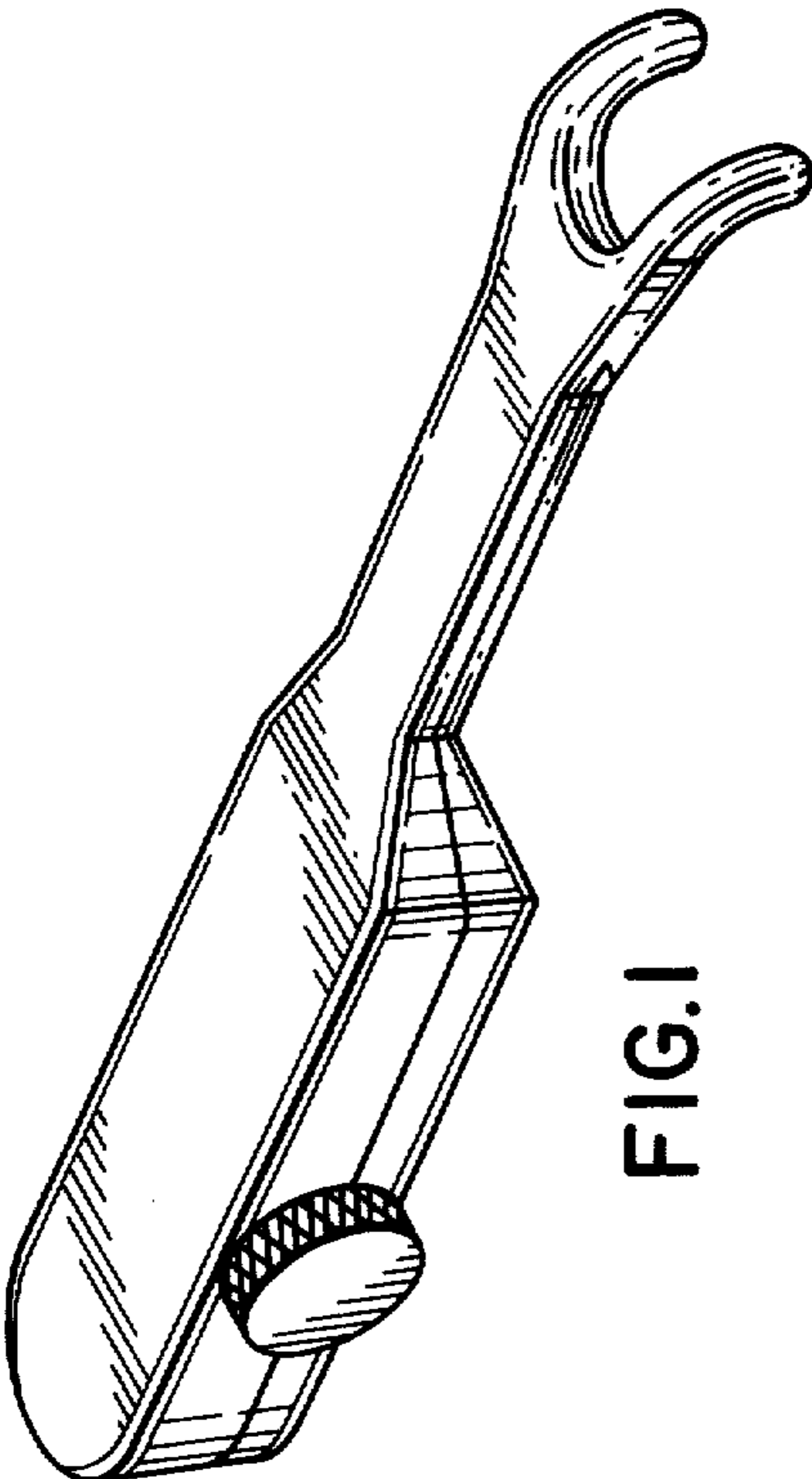


FIG. 1

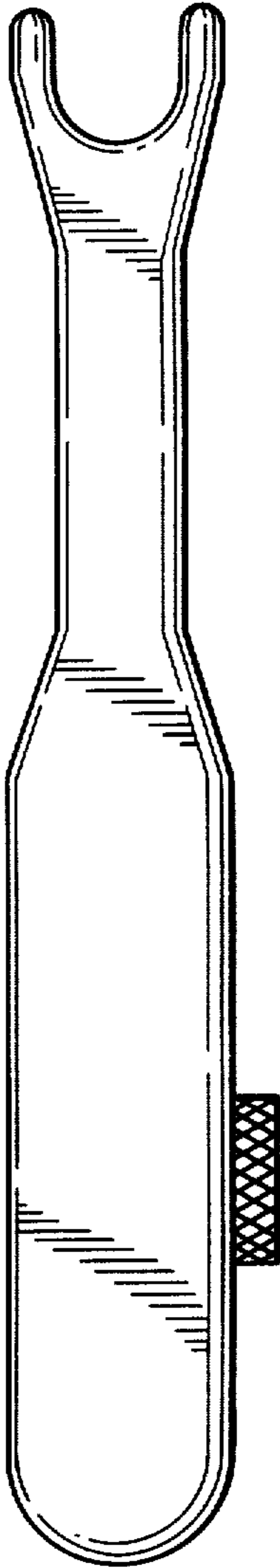


FIG. 2

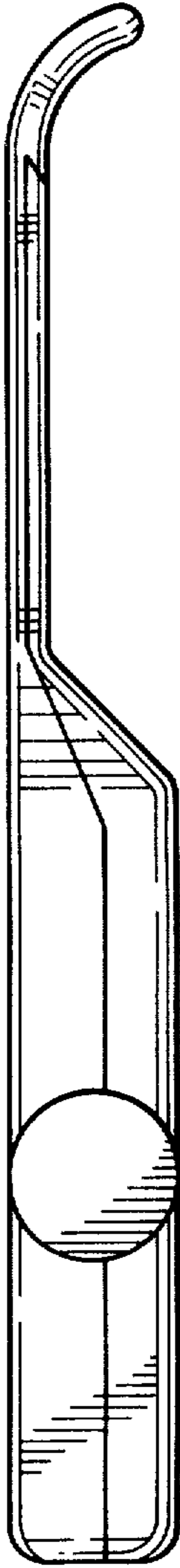


FIG. 3

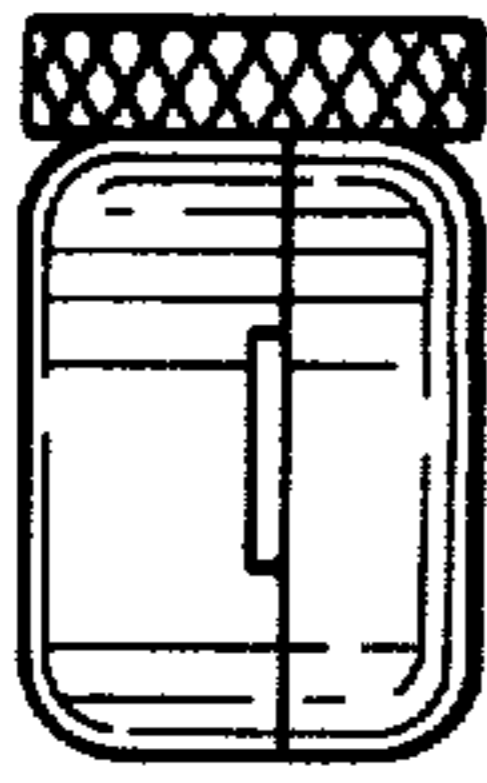


FIG. 4

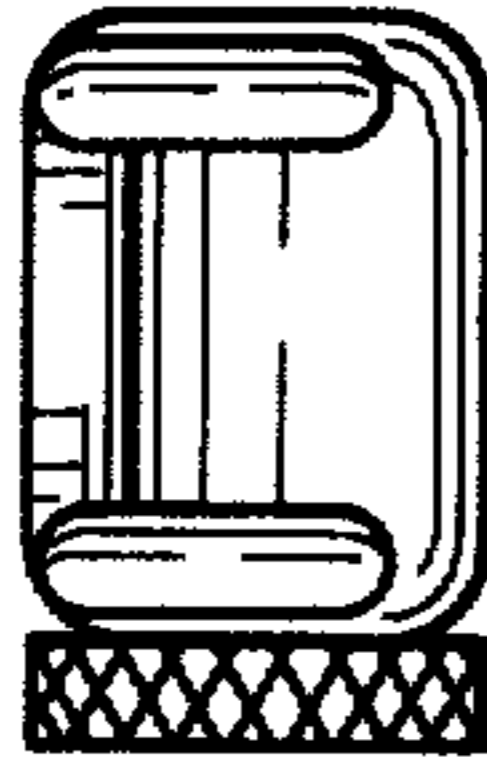


FIG. 5

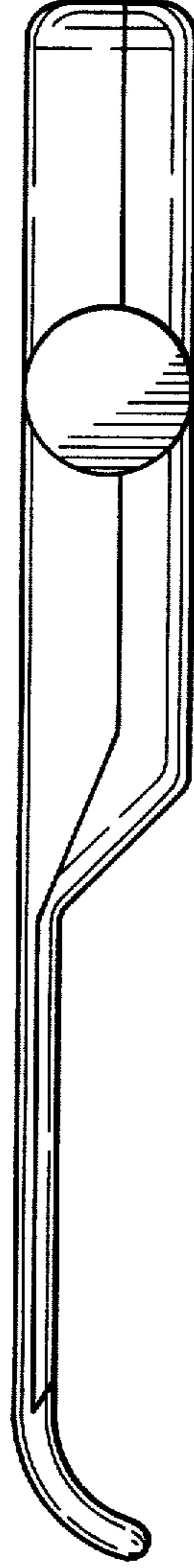


FIG. 6



FIG. 7