

[54] CURLING IRON

[75] Inventor: Steven R. Groner, Glen Ellyn, Ill.

[73] Assignee: Sunbeam Corporation, Chicago, Ill.

[**] Term: 14 Years

[21] Appl. No.: 167,587

[22] Filed: Jul. 11, 1980

[51] Int. Cl. D28-03

[52] U.S. Cl. D28/35

[58] Field of Search D28/10-19,
D28/35; 132/7, 9, 37 R; 219/222, 225

[56] References Cited

U.S. PATENT DOCUMENTS

- D. 74,235 1/1928 Nessler D28/11
- D. 236,290 8/1975 McNair D28/35
- D. 239,663 4/1976 Long et al. D28/12

OTHER PUBLICATIONS

HFD-Retailing Home Furnishings, 1/1/79, Section One, p. 34, "Setting Pretty", Curling Iron at top middle.

Primary Examiner—Louis S. Zarfes

Attorney, Agent, or Firm—George R. Clark; Neil M. Rose; Robert J. Fox

[57] CLAIM

The ornamental design for a curling iron, as shown.

DESCRIPTION

FIG. 1 is a perspective view of a curling iron showing my new design;

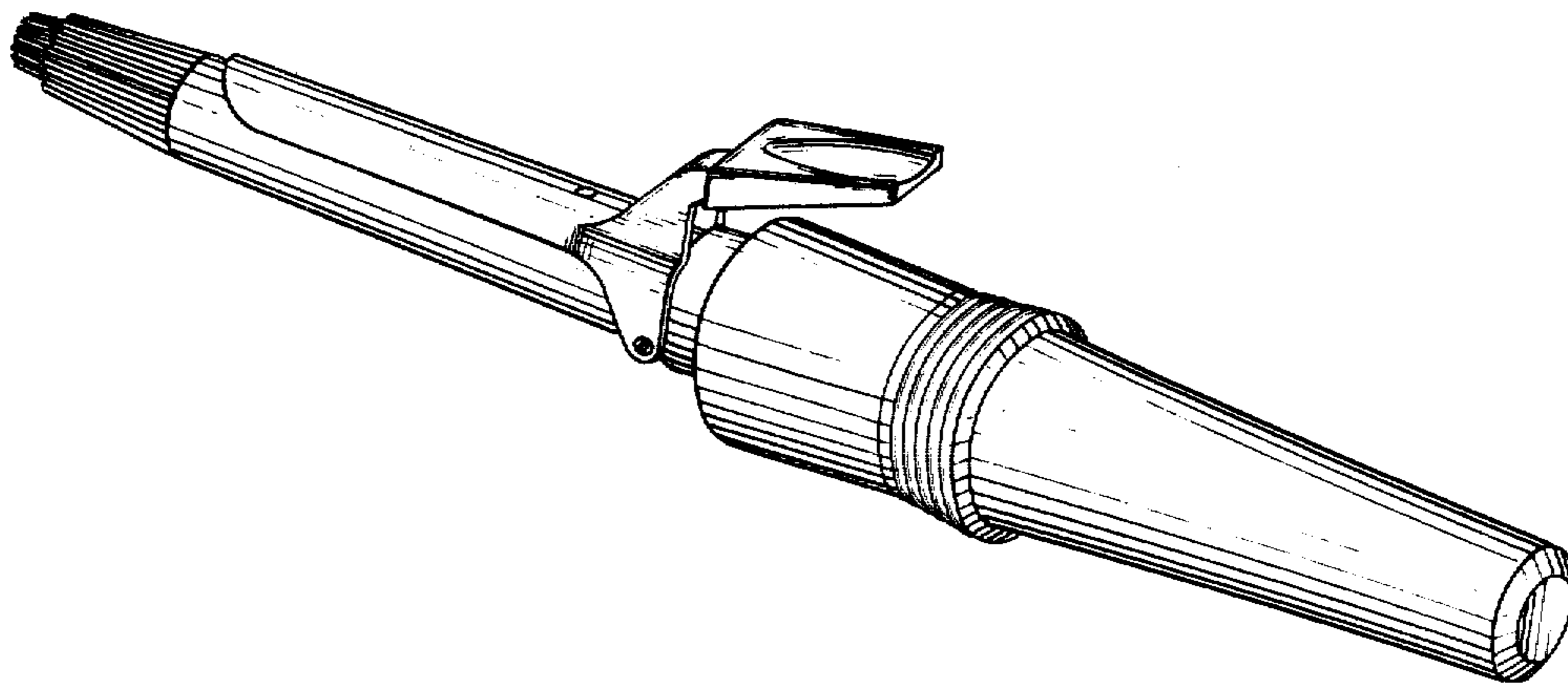
FIG. 2 is a right side elevational view thereof;

FIG. 3 is a top plan view thereof;

FIG. 4 is a bottom plan view thereof;

FIG. 5 is a front end elevational view thereof; and

FIG. 6 is a rear end elevational view thereof.



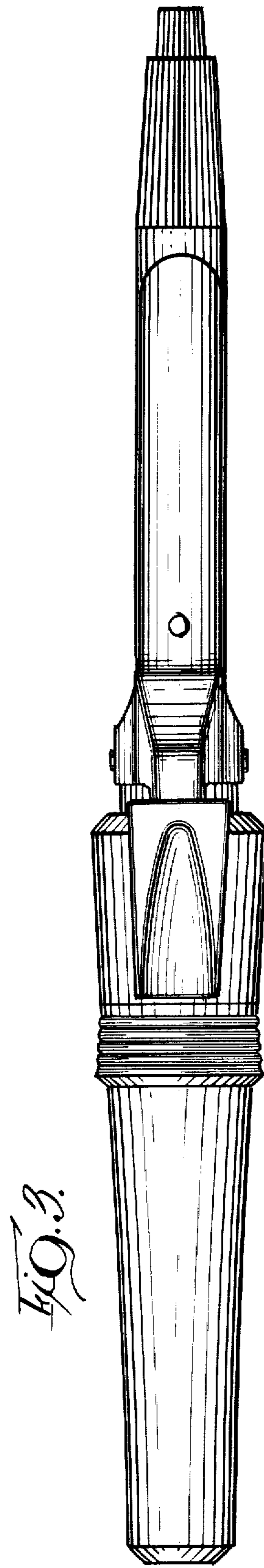
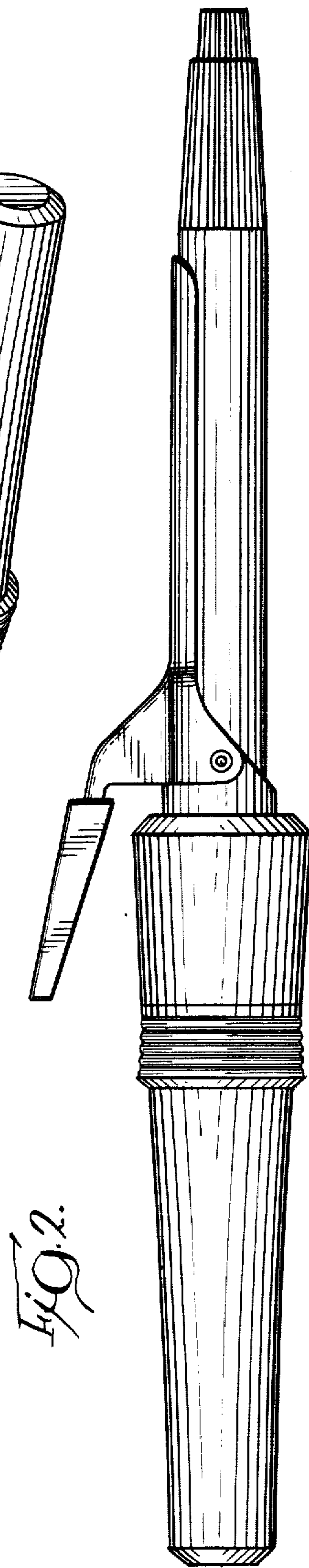
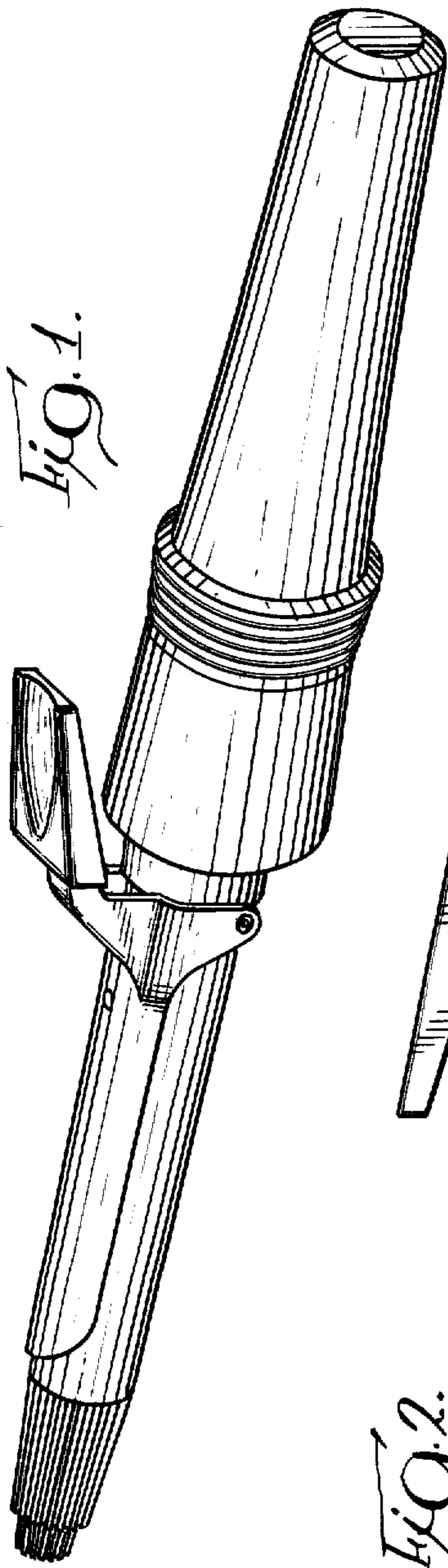


FIG. 4.

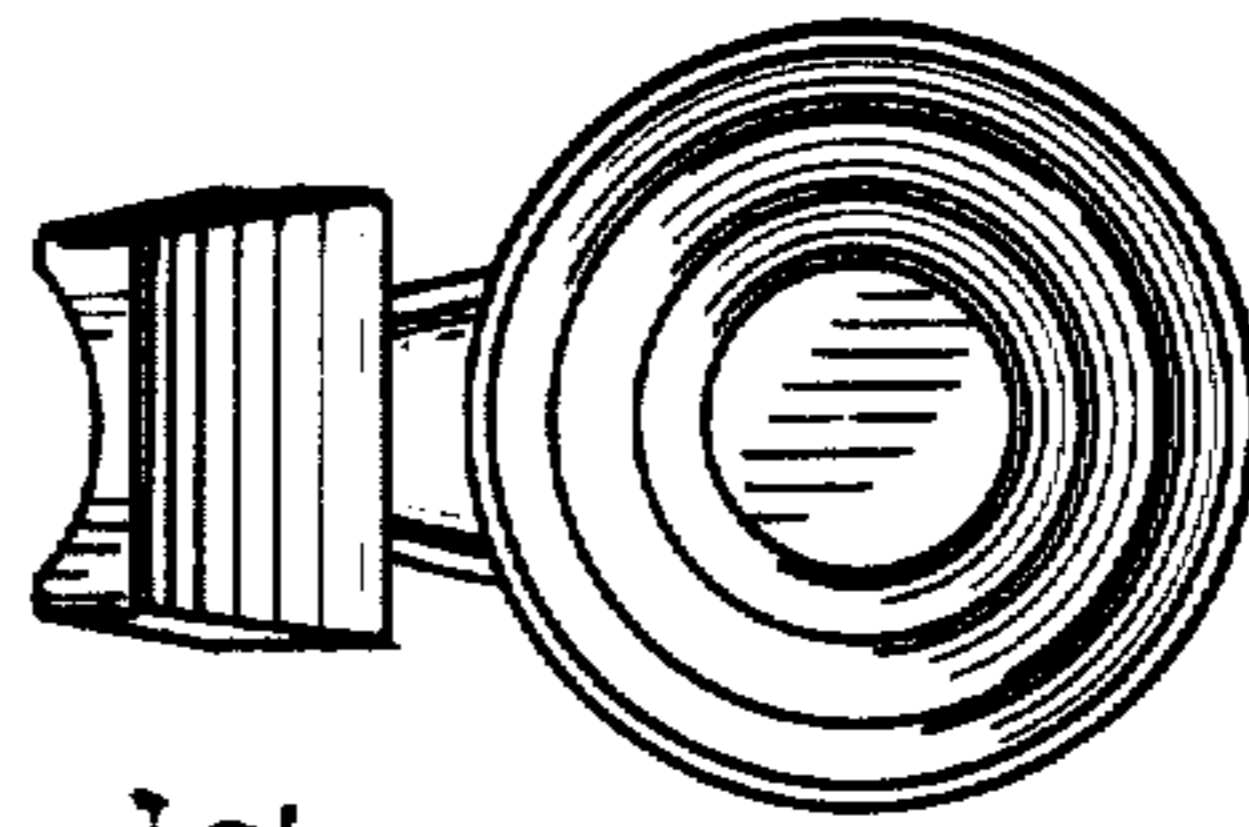
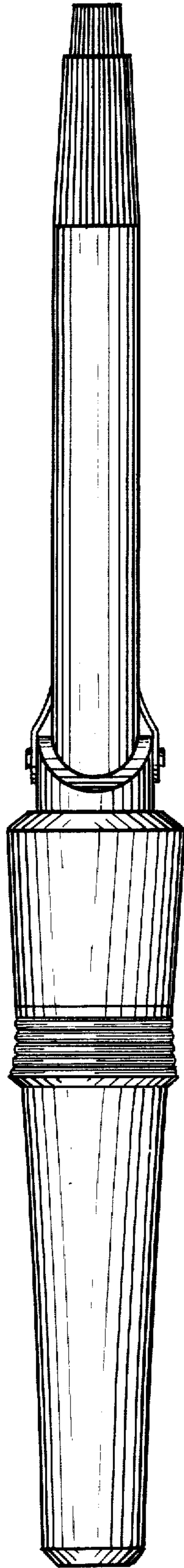


FIG. 6.

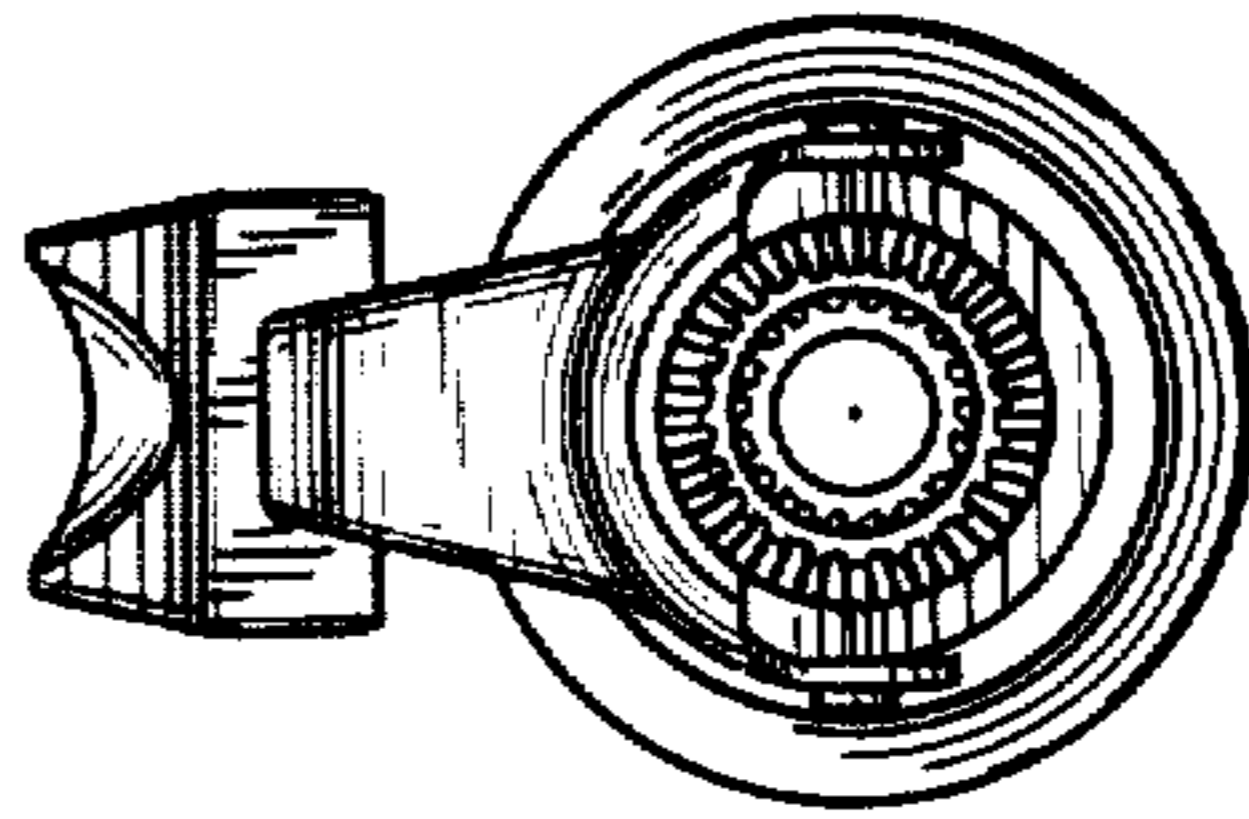


FIG. 5.