

[54] **SCULPTURED VENTILATING CONCRETE BLOCK**

[76] Inventor: **Arnold C. Siedschlag**, 3219 E. Earll Dr., Phoenix, Ariz. 85018

[**] Term: **14 Years**

[21] Appl. No.: **139,351**

[22] Filed: **Apr. 11, 1980**

[51] Int. Cl. **D25—01**

[52] U.S. Cl. **D25/91; D25/80; D25/92**

[58] Field of Search 52/592, 595, 596, 605, 52/606, 607, 673, 613, 303, 302, 473; D25/80, 87, 88, 89, 91, 92

[56] **References Cited**

U.S. PATENT DOCUMENTS

- D. 186,371 10/1959 Johnson D25/89 X
- D. 256,158 7/1980 Ward D25/80 X
- 2,131,803 10/1938 Henderson D25/91 X
- 3,386,217 6/1968 Coutyre 52/663 X

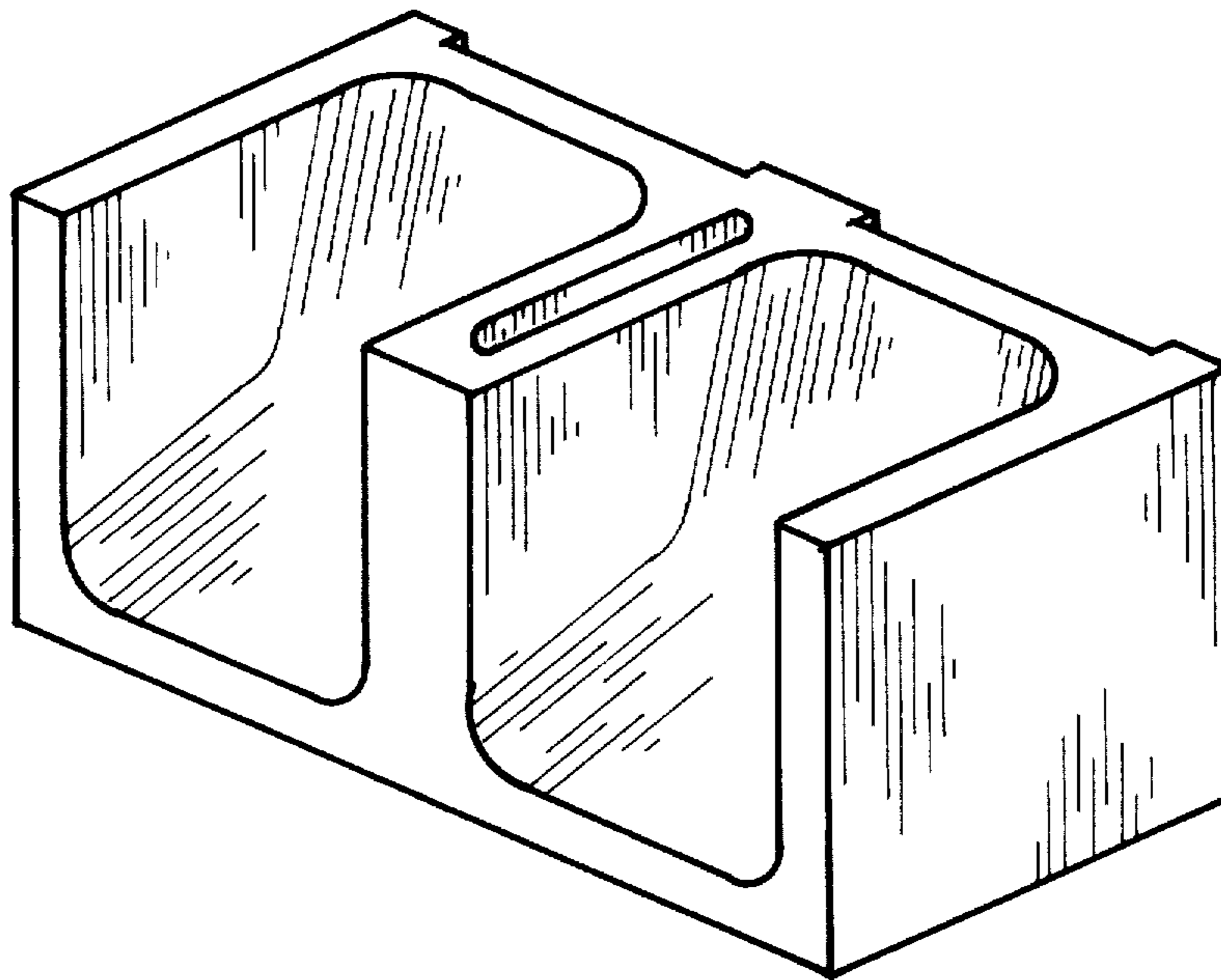
Primary Examiner—A. Hugo Word
Attorney, Agent, or Firm—Warren F. B. Lindsley

[57] **CLAIM**

The ornamental design for a sculptured ventilating concrete block, as shown and described.

DESCRIPTION

FIG. 1 is a perspective view of one side, top and end of the sculptured ventilating concrete block embodying the invention; and
FIG. 2 is a perspective view of the other side, other end and bottom of the sculptured ventilating concrete block shown in FIG. 1.



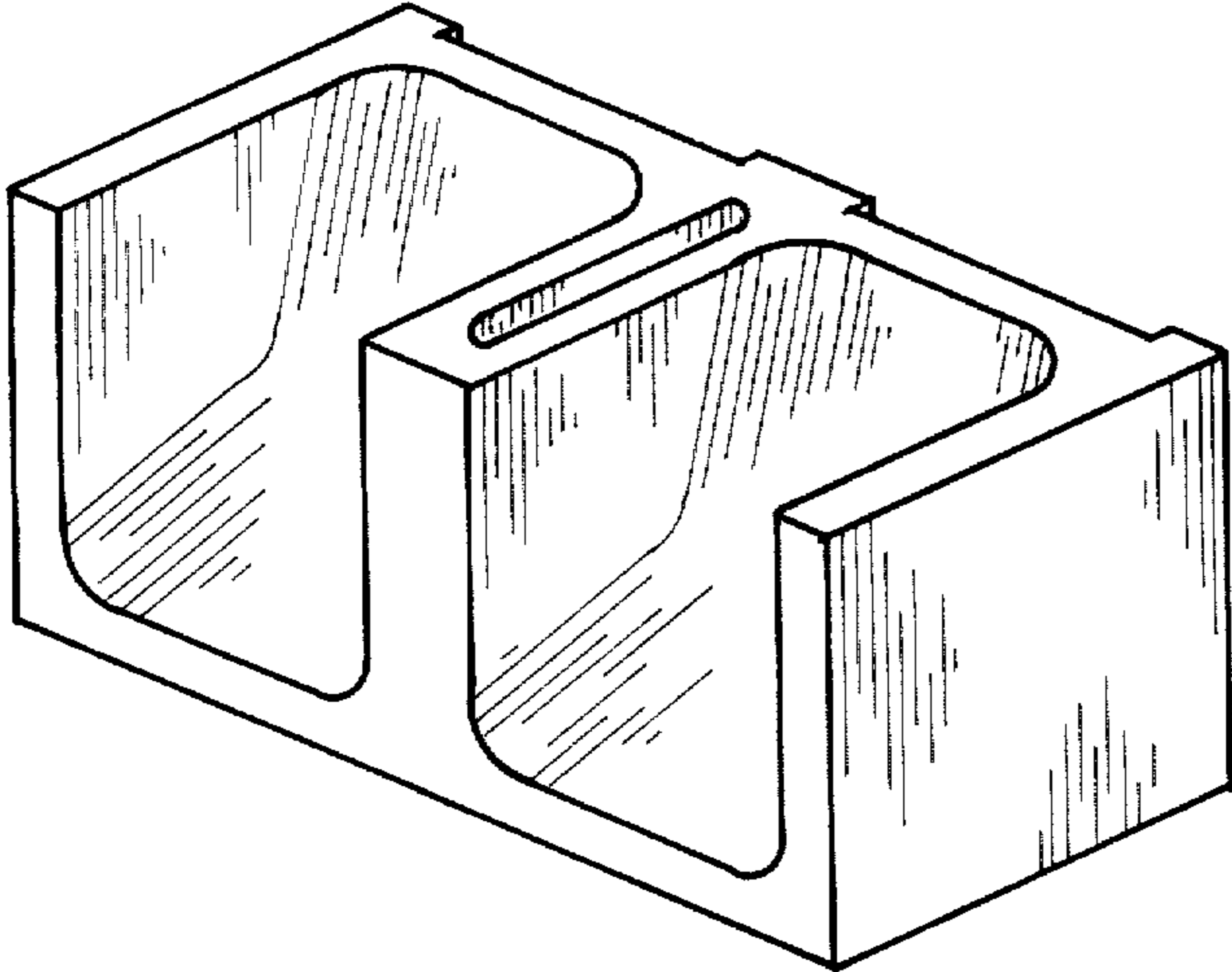


FIG. 1

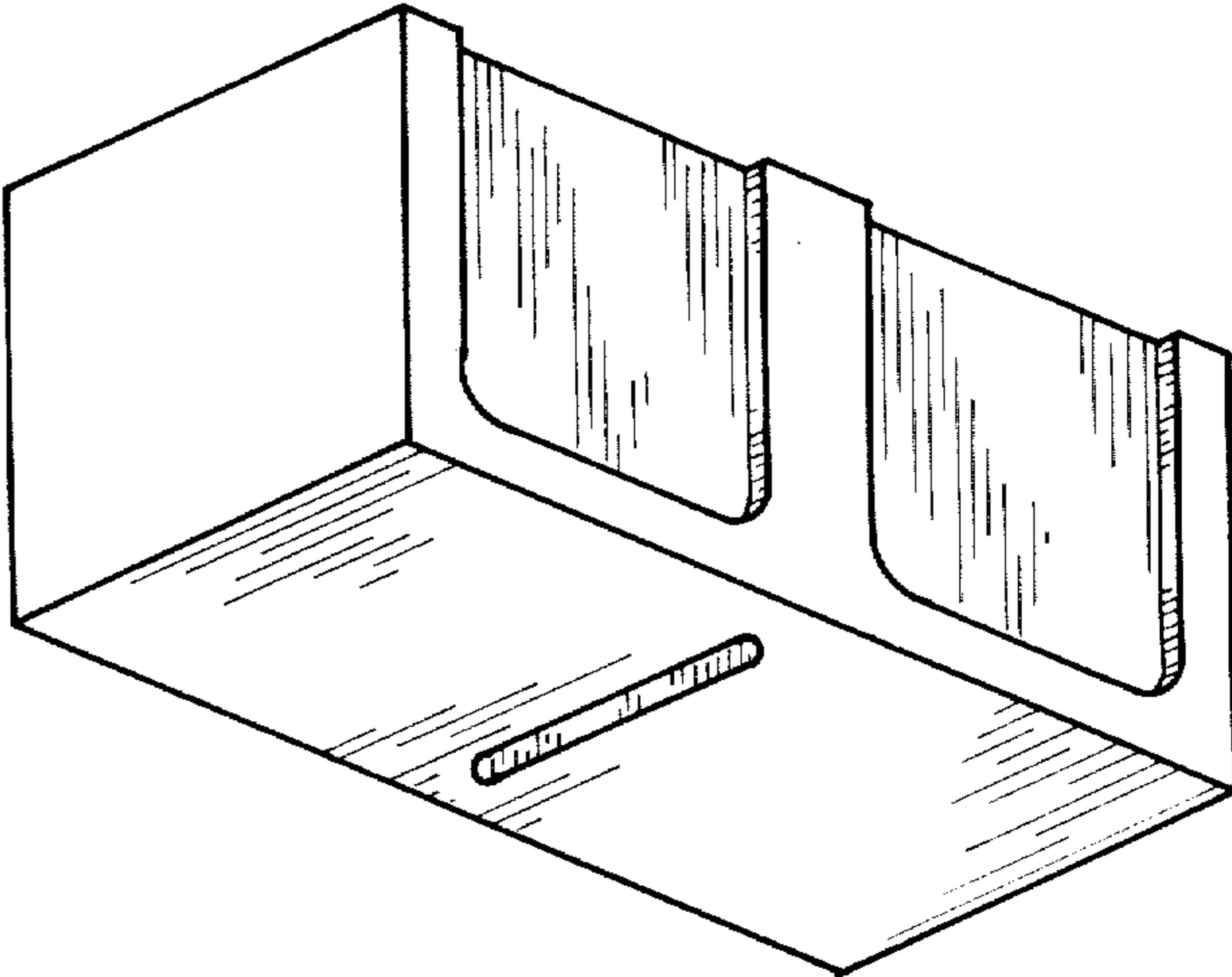


FIG. 2