

[54] **SIMULATED BREAST NURSER**
 [75] Inventor: **Judith Kestenberg**, New York, N.Y.
 [73] Assignee: **Child Development Research**, Sands Point, N.Y.
 [**] Term: **14 Years**
 [21] Appl. No.: **88,042**
 [22] Filed: **Oct. 24, 1979**
 [51] Int. Cl. **D24-04**
 [52] U.S. Cl. **D24/47**
 [58] Field of Search 215/11 R, 100 R; 3/36; 128/252; 426/117; D24/47

3,757,784 9/1973 Avery 128/281

FOREIGN PATENT DOCUMENTS

15716 12/1933 Australia 215/11 R
 974401 2/1951 France 215/11 R

Primary Examiner—Bernard Ansher
Attorney, Agent, or Firm—Frishauf, Holtz, Goodman & Woodward

[57] **CLAIM**

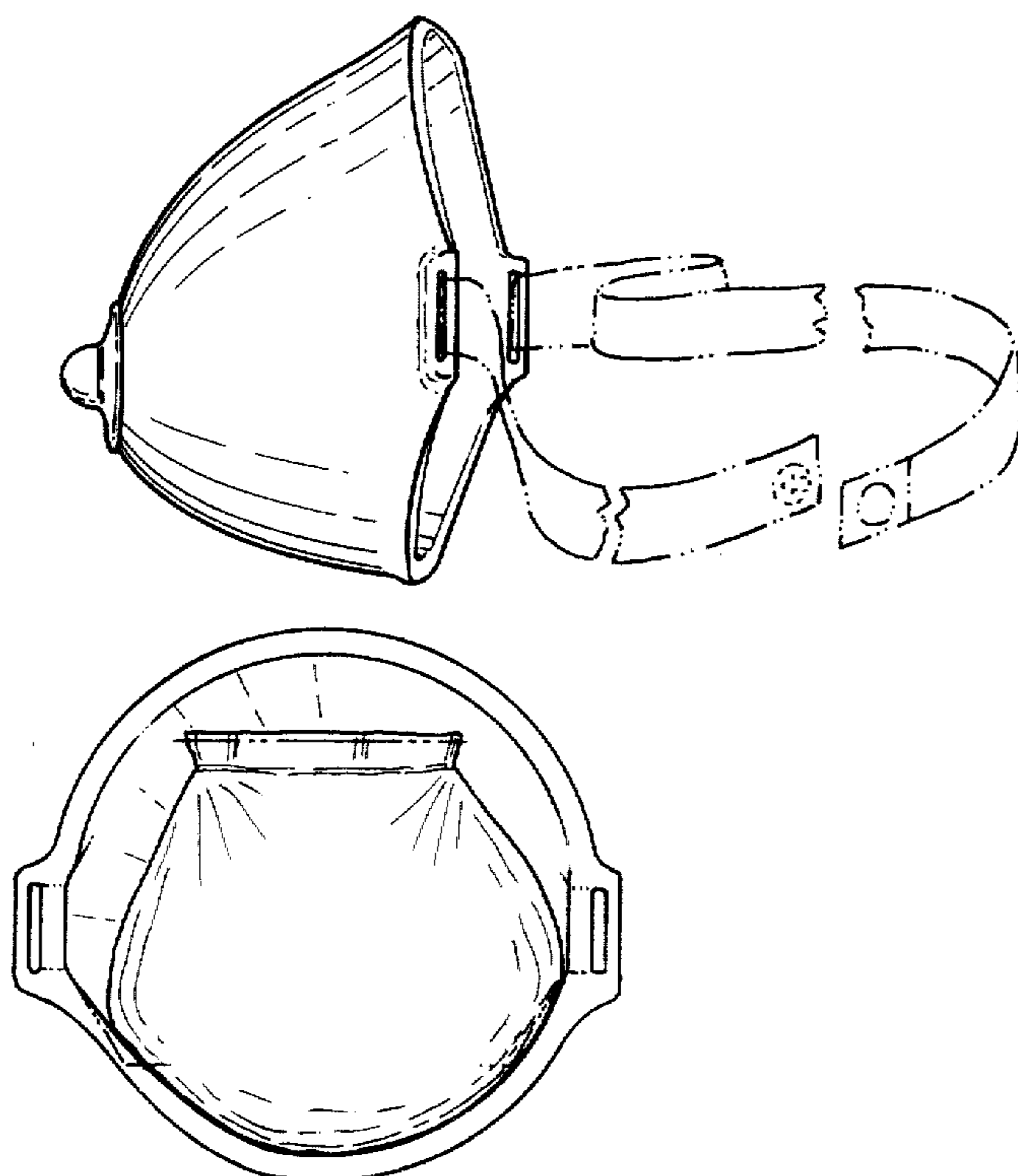
The ornamental design for simulated breast nurser, as shown and described.

DESCRIPTION

FIG. 1 is a top plan view of a simulated breast nurser showing my new design;
 FIG. 2 is a front elevation thereof;
 FIG. 3 is a bottom plan view thereof;
 FIG. 4 is a right side elevation thereof;
 FIG. 5 is a left side elevation thereof;
 FIG. 6 is a rear elevation thereof;
 FIG. 7 is a cross section taken on line 7—7 of FIG. 2;
 FIG. 8 is a front perspective view of the milk pouch member; shown separately for clarity of illustration;
 FIG. 9 is a top plan view of the rear panel member shown separately for ease of illustration;
 FIG. 10 is a front elevation of the rear panel member; and
 FIG. 11 is a side elevation thereof.
 The broken lines are shown for illustrative purposes only.

[56] **References Cited**
U.S. PATENT DOCUMENTS

98,328	2/1911	Decker	215/11 R
D. 196,090	8/1963	Barton	D24/47
1,319,297	10/1919	Limacher	215/100 R
1,344,760	6/1920	Goddard	215/11 R
2,150,835	3/1929	Kazimirow	215/11 R
2,628,906	2/1953	Horan	426/117
2,698,436	1/1955	Bernhardt	3/36
2,803,365	8/1957	Allen	215/11 R
3,097,757	7/1963	Searer	215/11 R
3,112,837	12/1963	Manoyian	215/11 R
3,117,874	1/1964	Horan	426/117
3,289,874	12/1966	Dailey et al.	215/11 R
3,394,018	7/1968	Ve Lonis et al.	426/117
3,401,407	9/1968	Pittman	3/36



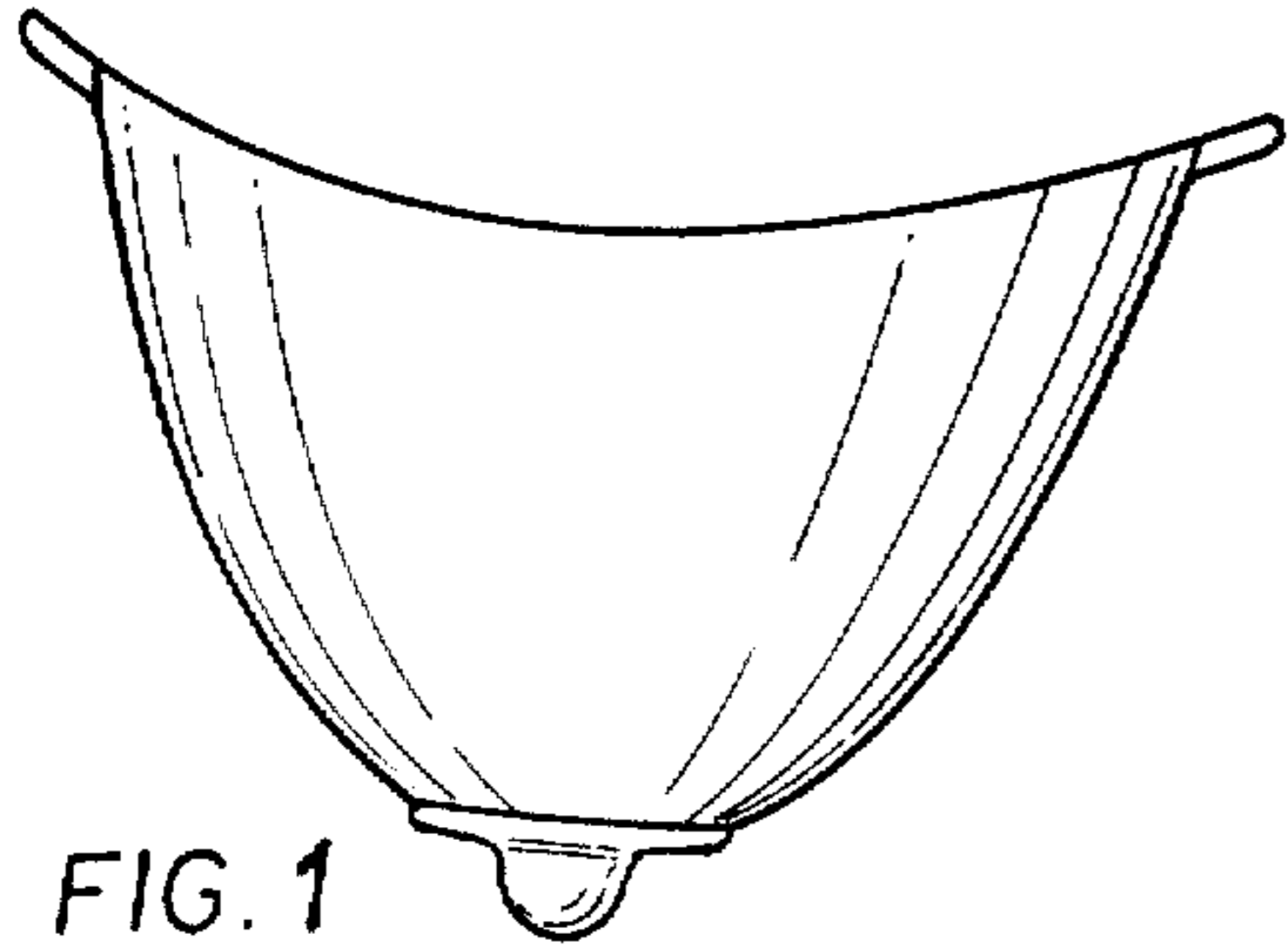


FIG. 1

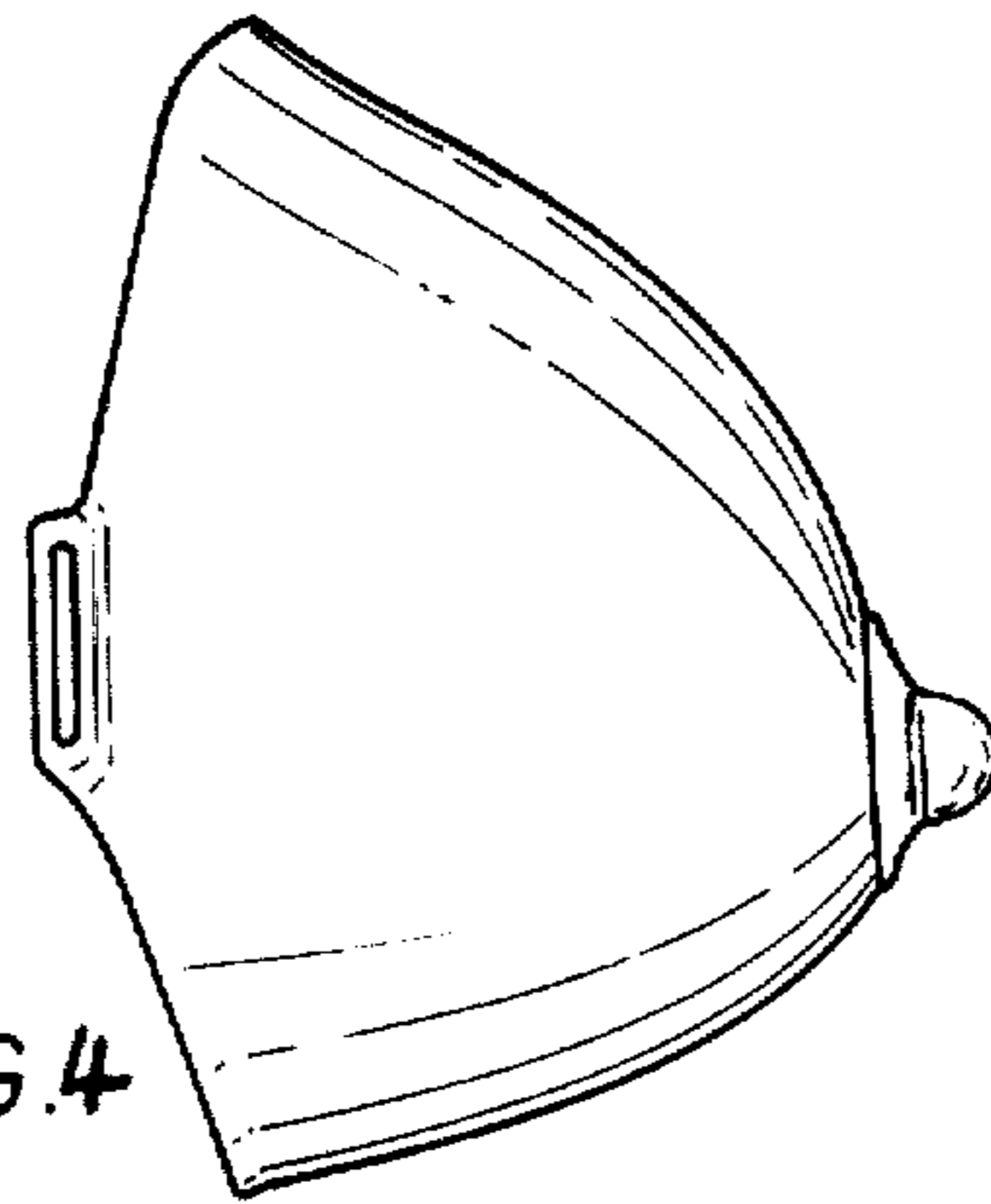


FIG. 4

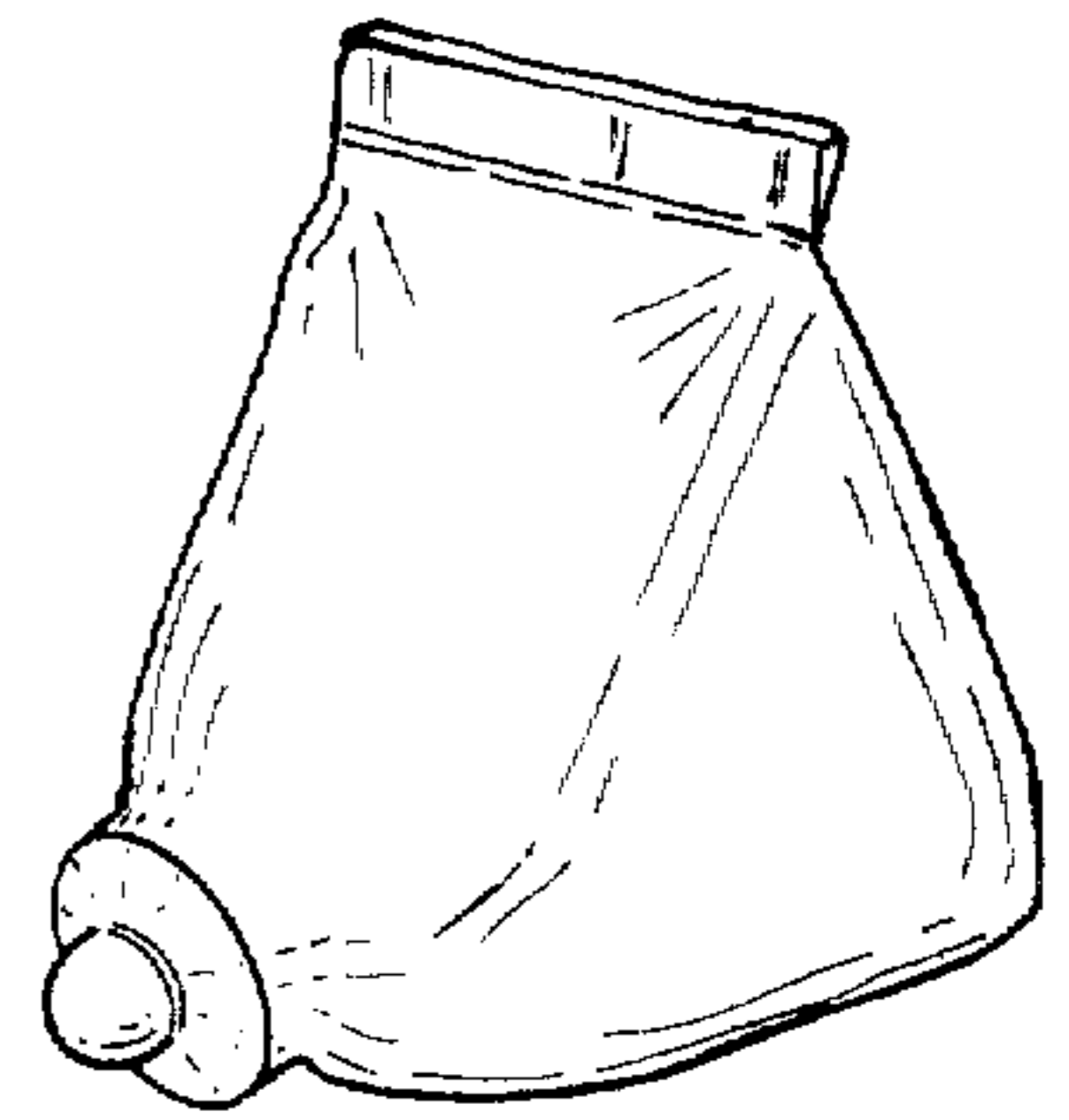


FIG. 8

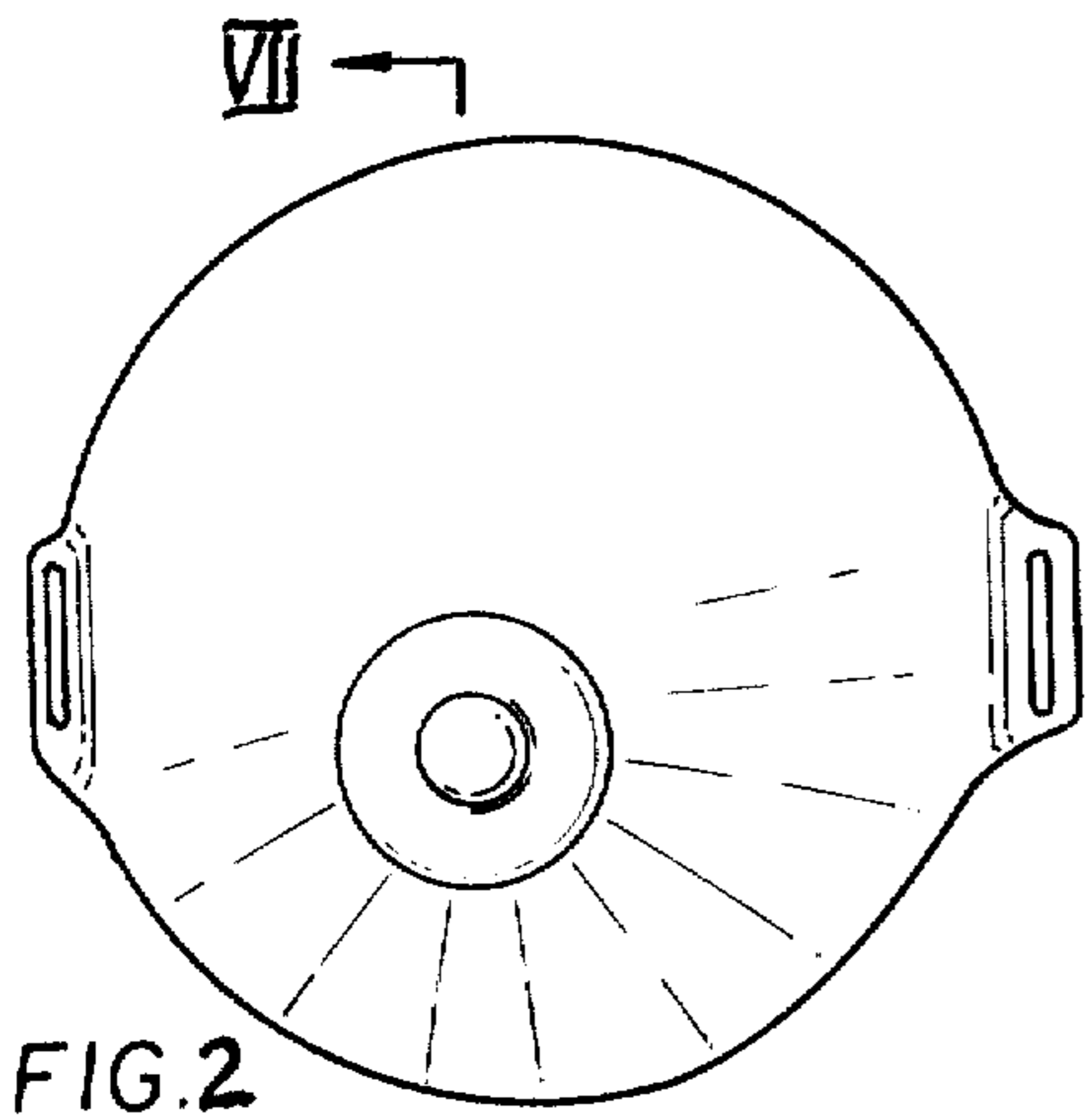


FIG. 2

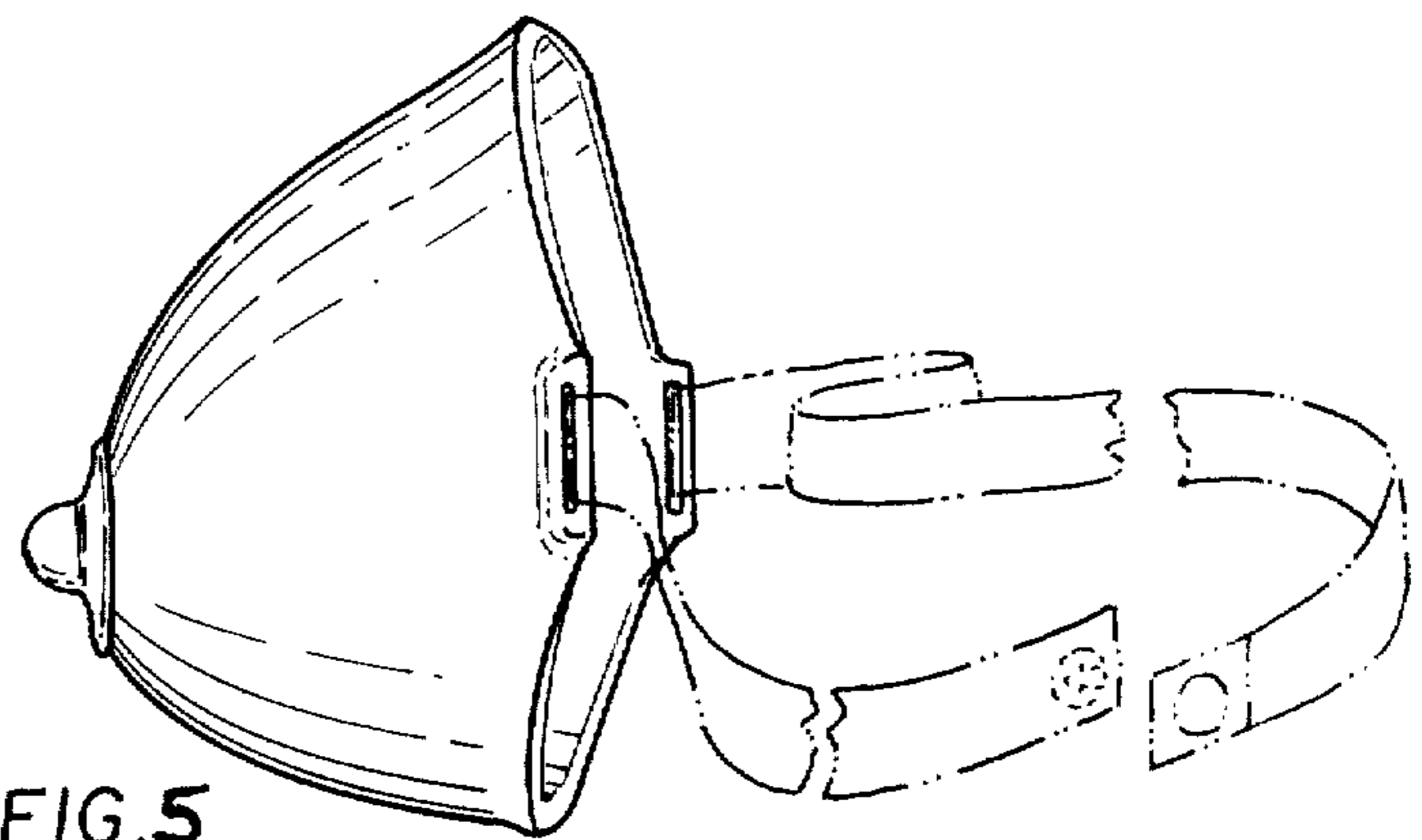


FIG. 5

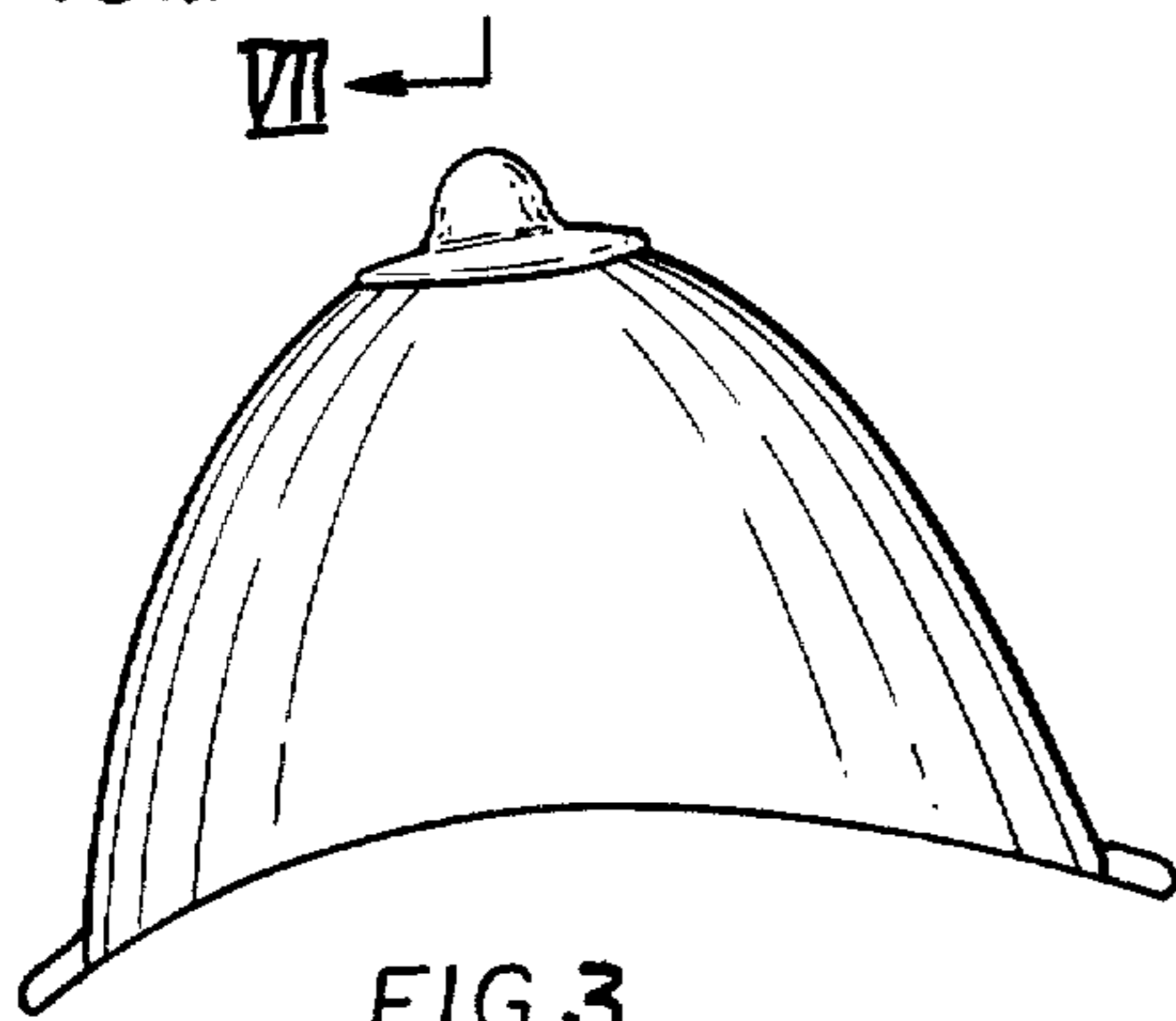


FIG. 3

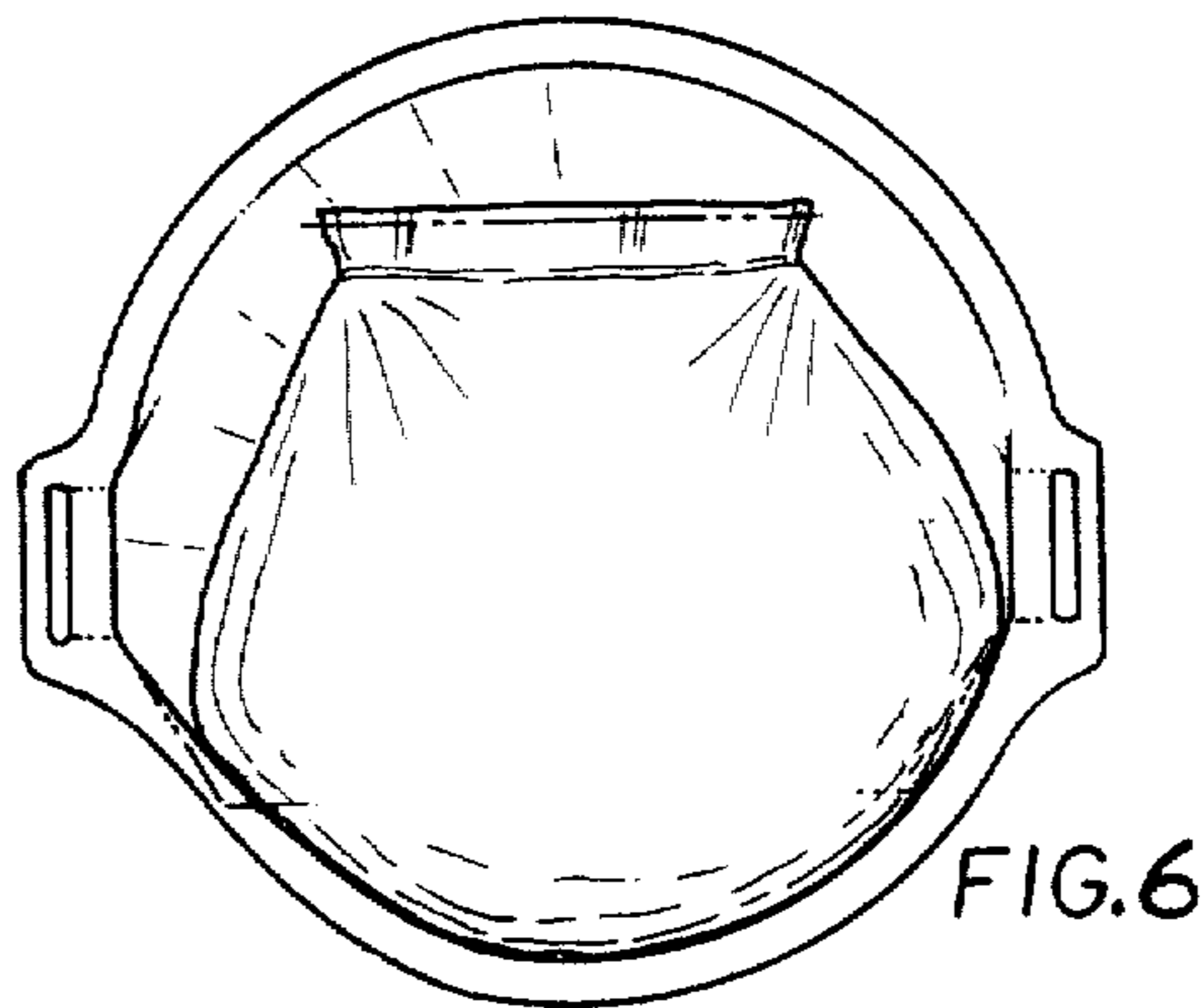


FIG. 6

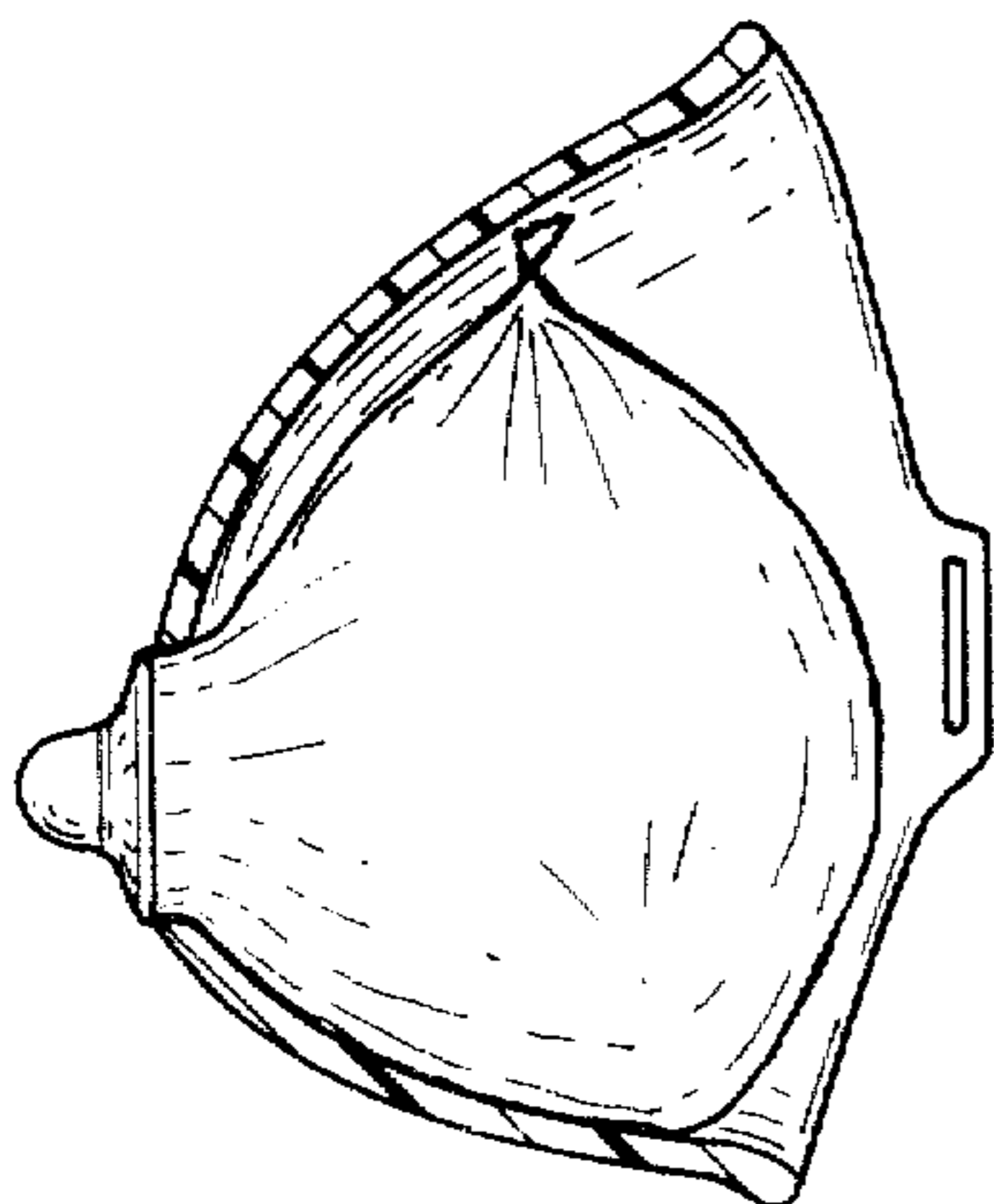


FIG. 7



FIG. 9

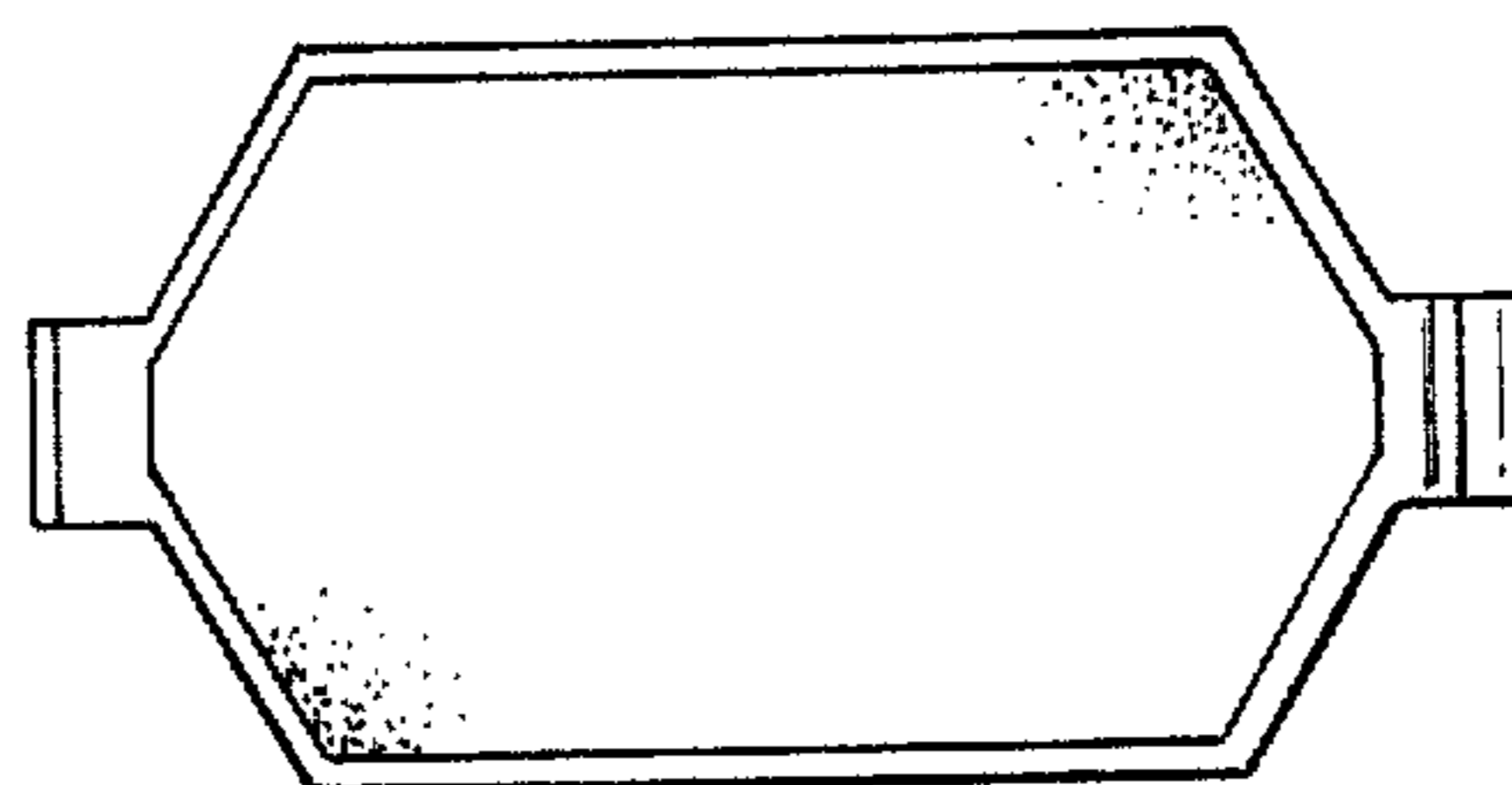


FIG. 10

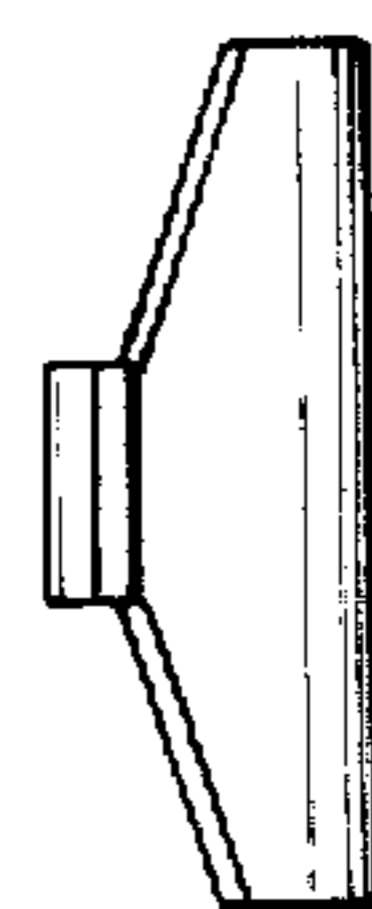


FIG. 11