

[54] WOOD AND COAL BURNING STOVE

D. 252,101 6/1979 Orlando D23/97
D. 252,405 7/1979 Heine D23/97

[76] Inventor: Peter Kilham, Box 98, Mill Rd.,
Foster, R.I. 02825

Primary Examiner—Catherine E. Kemper
Attorney, Agent, or Firm—Salter & Michaelson

[**] Term: 14 Years

[57] CLAIM

[21] Appl. No.: 160,101

The ornamental design for a wood and coal burning
stove, substantially as shown.

[22] Filed: Jun. 16, 1980

DESCRIPTION

[51] Int. Cl. D23-03

FIG. 1 is a right, front perspective view of a wood and
coal burning stove, showing my new design;
FIG. 2 is a right side elevational view thereof;
FIG. 3 is a front side elevational view thereof;
FIG. 4 is a left side elevational view thereof;
FIG. 5 is a rear elevational view thereof;
FIG. 6 is a top plan view thereof; and
FIG. 7 is a bottom plan view thereof.

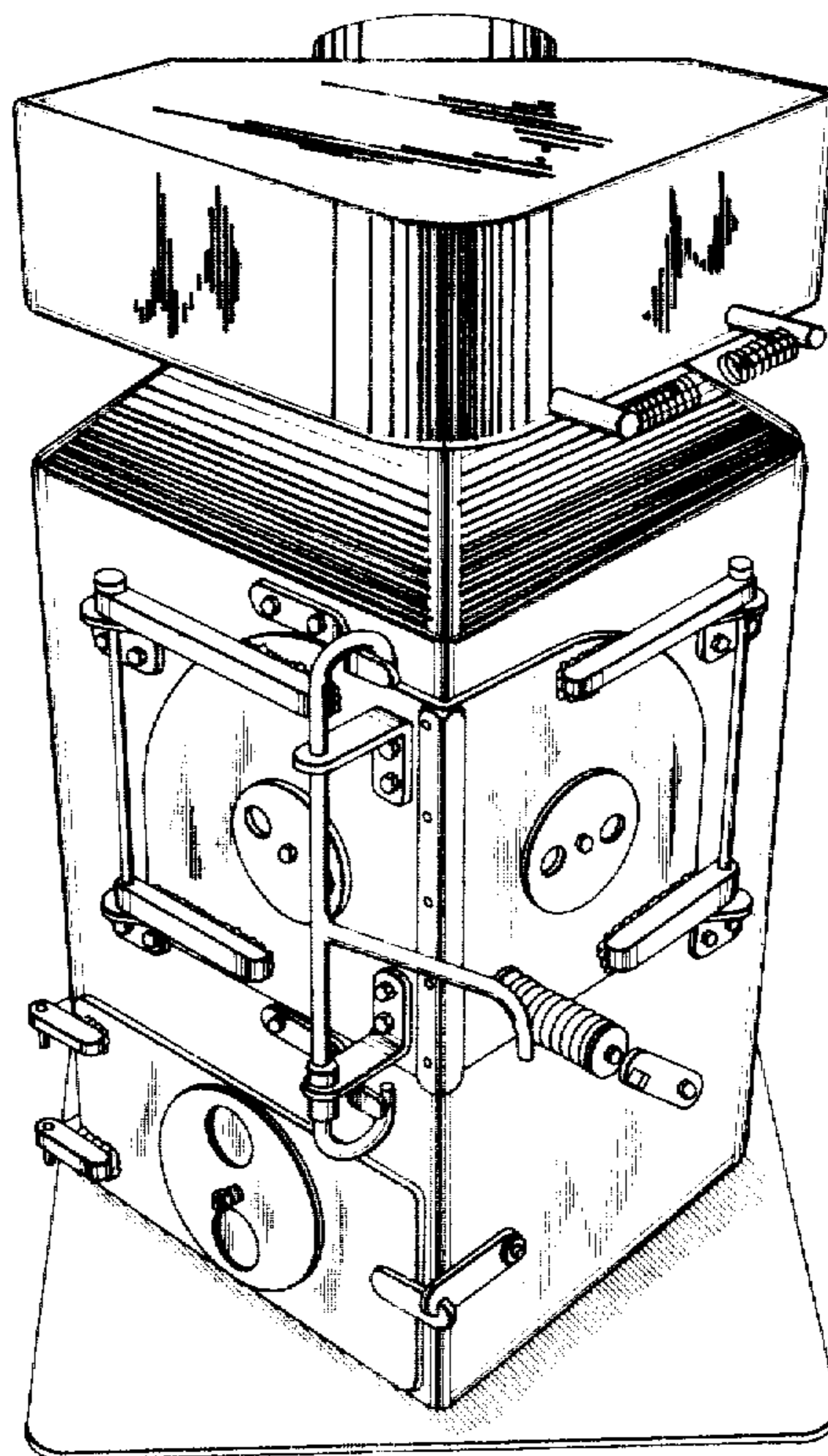
[52] U.S. Cl. D23/97

[58] Field of Search D23/92-97;
126/120, 121, 123, 126, 58, 60-66

[56] References Cited

U.S. PATENT DOCUMENTS

D. 251,438 3/1979 Dowdall D23/93



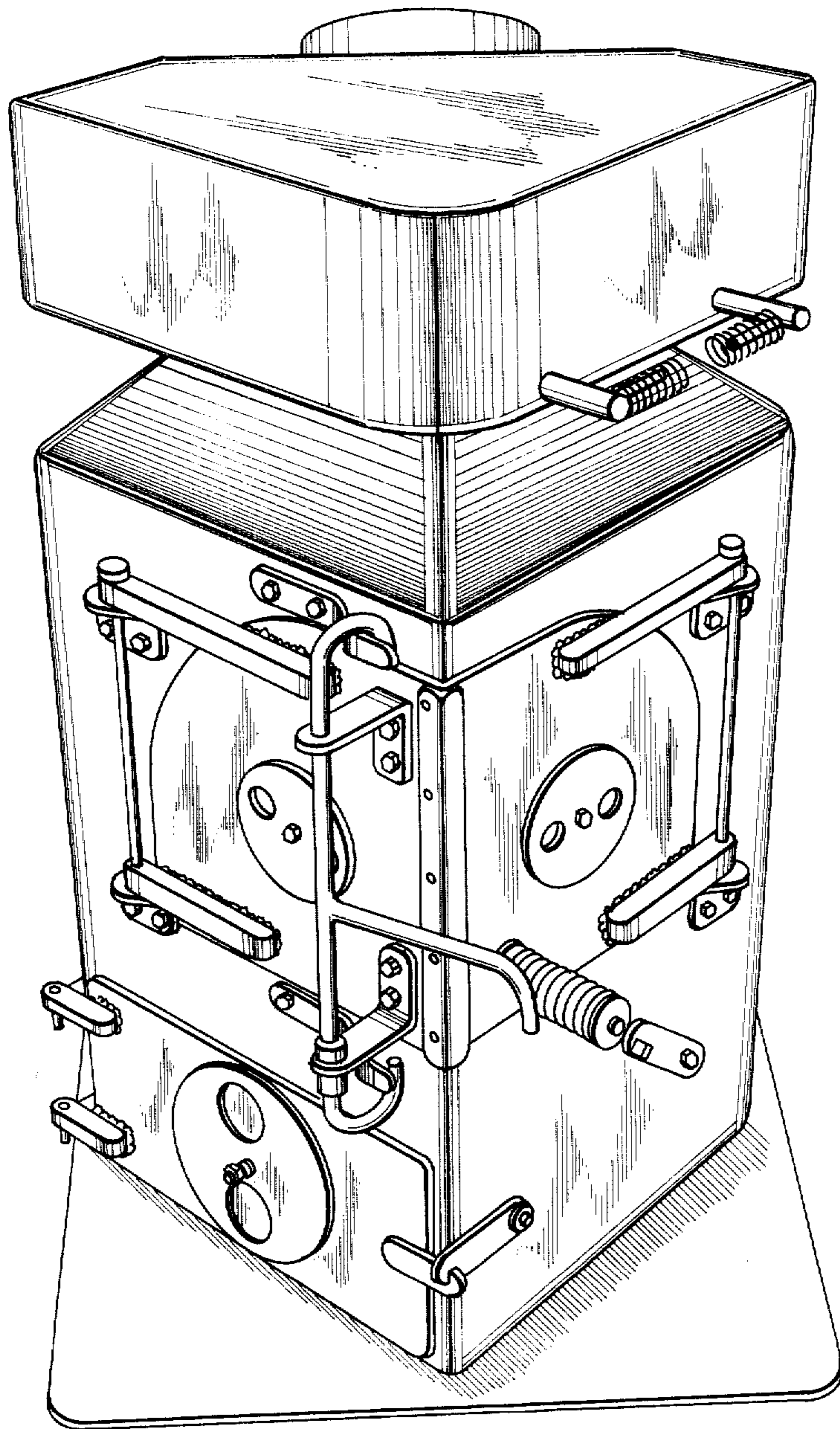


FIG. 1

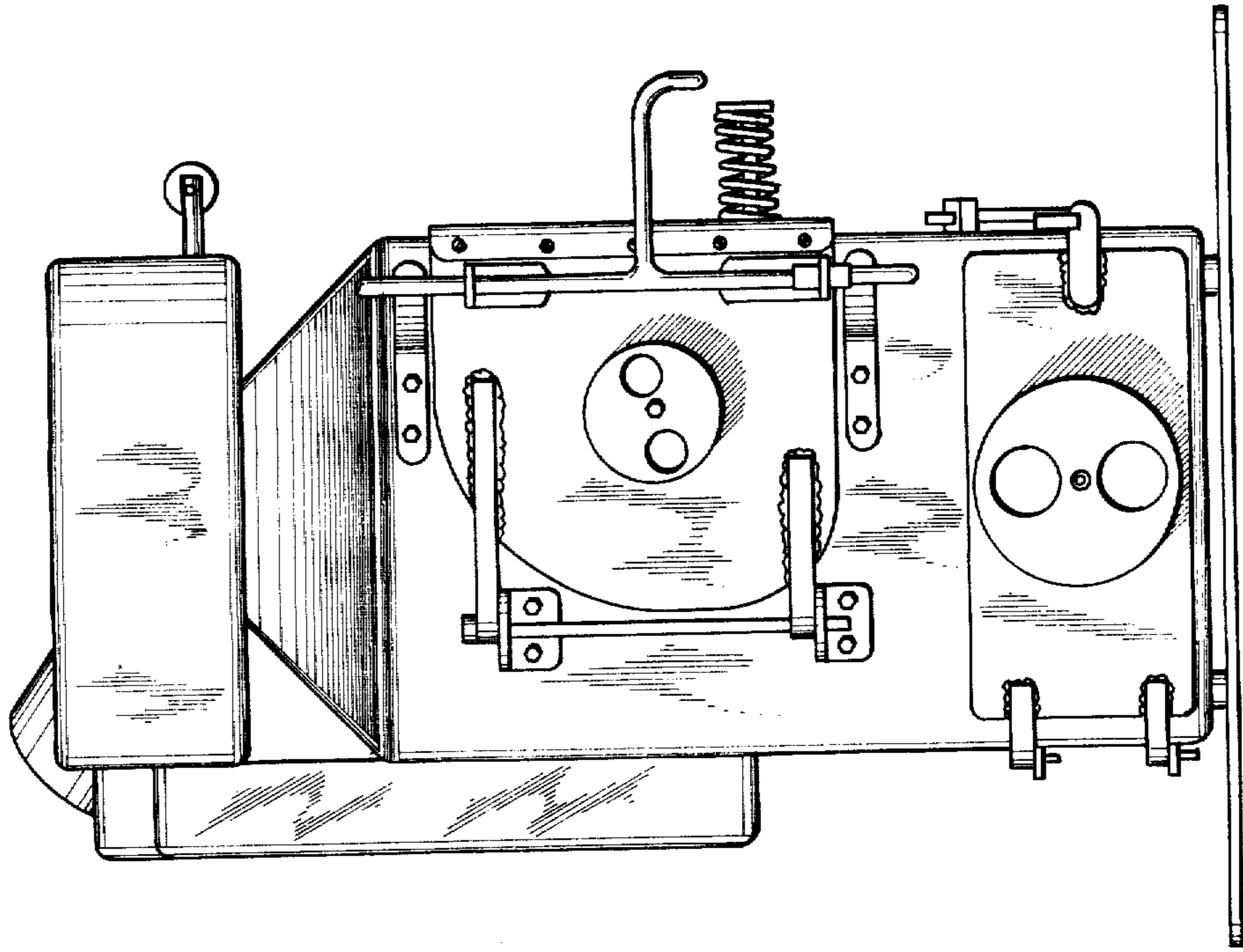


FIG. 3

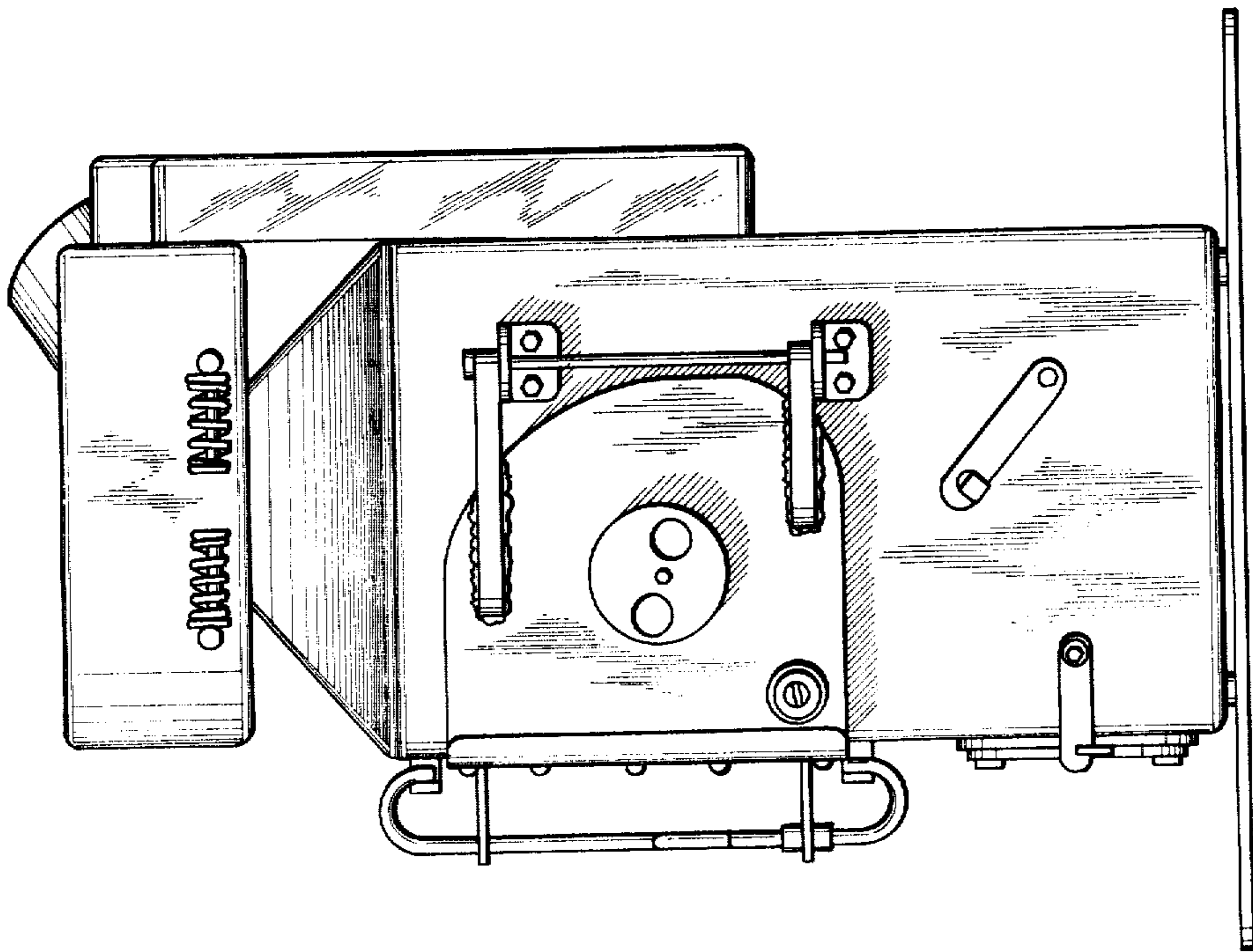


FIG. 2

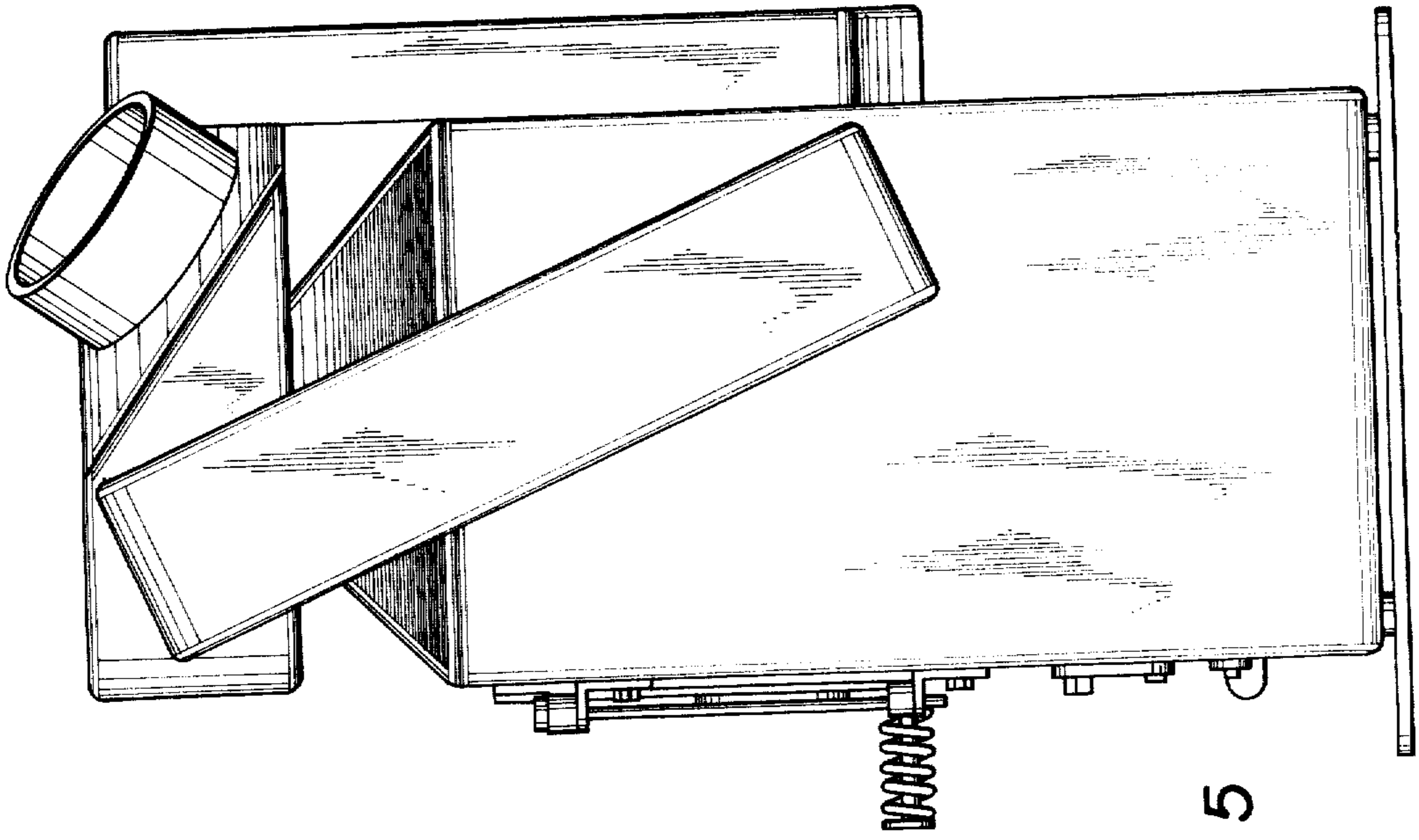


FIG. 5

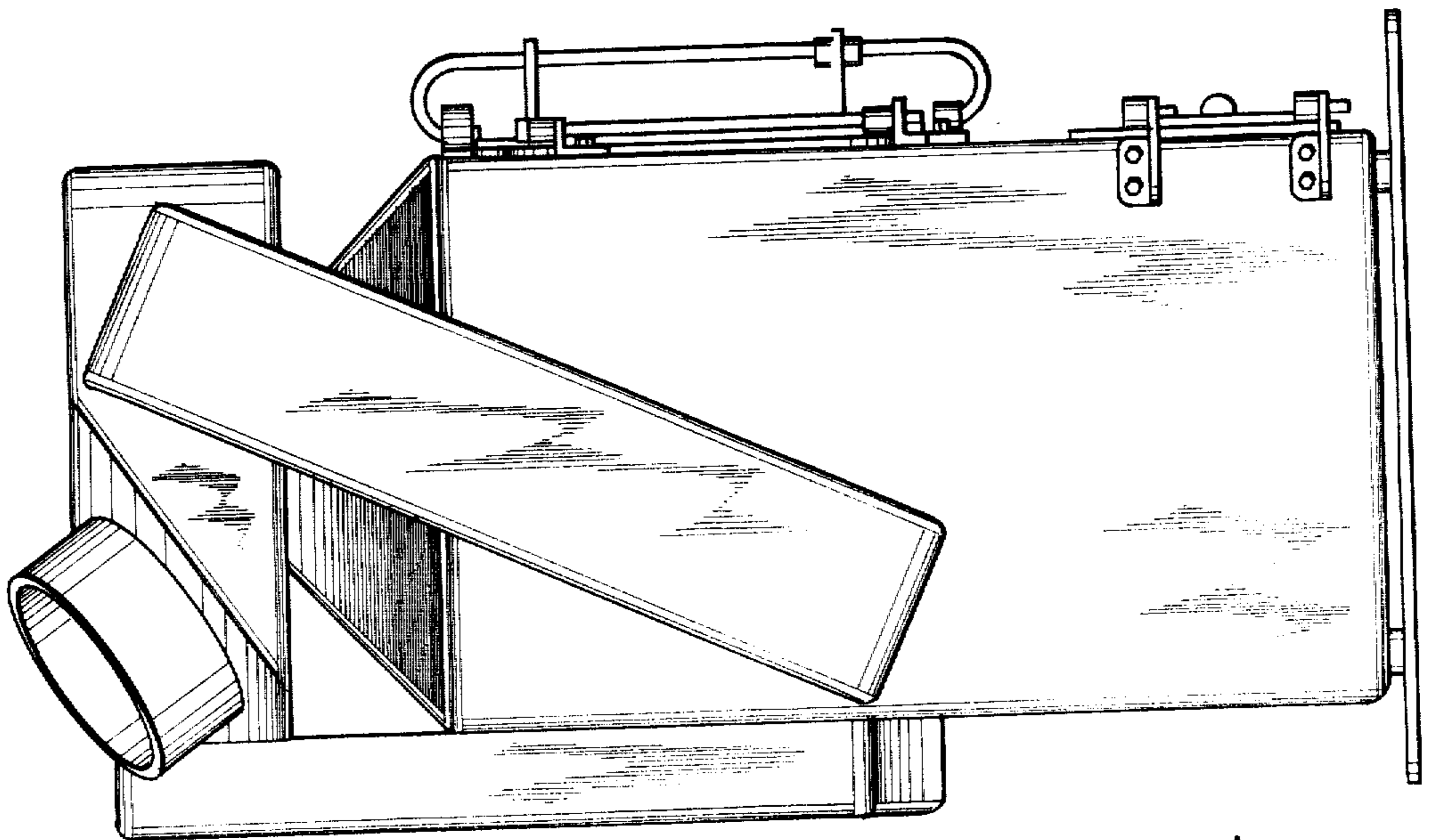


FIG. 4

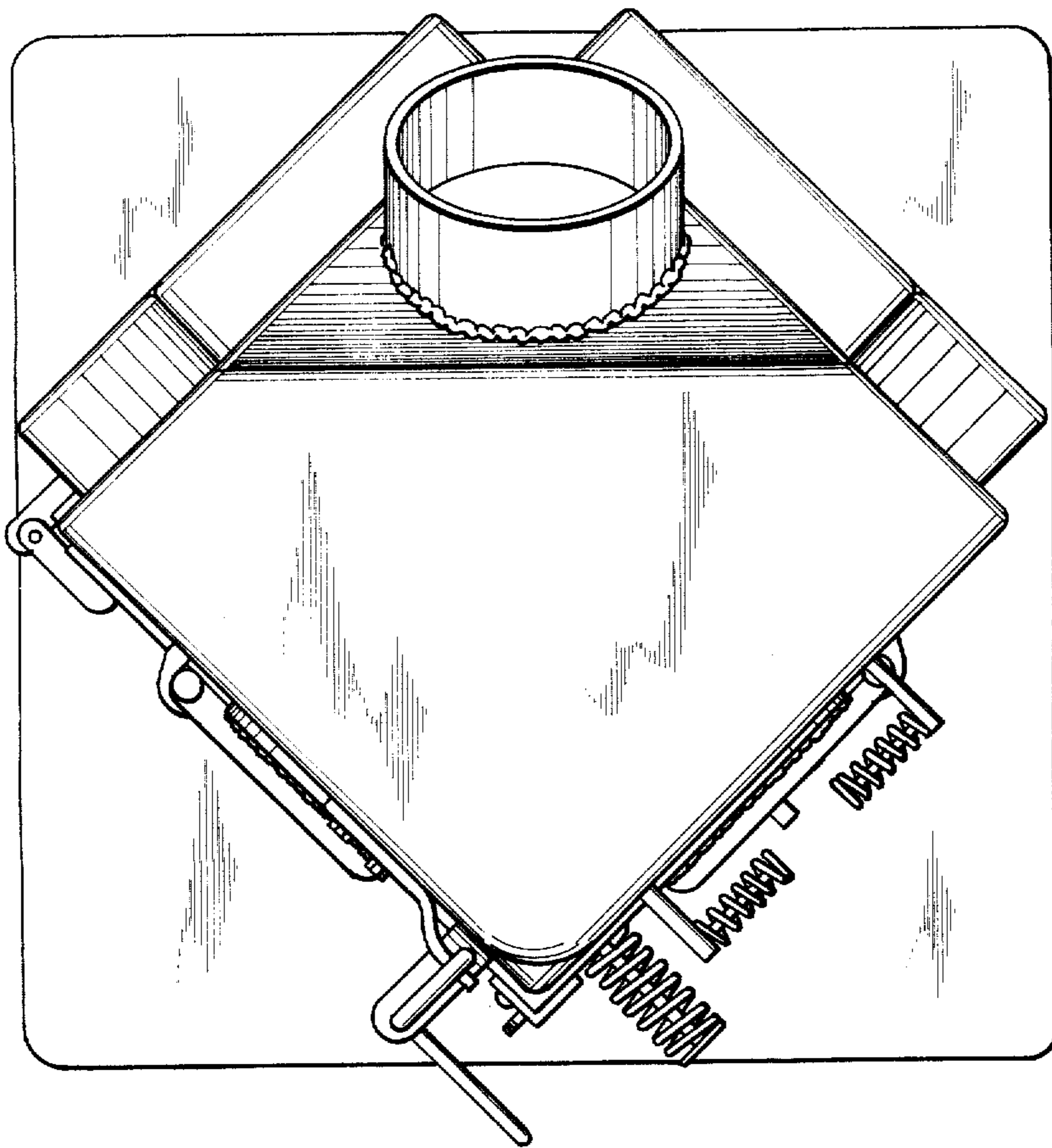


FIG. 6

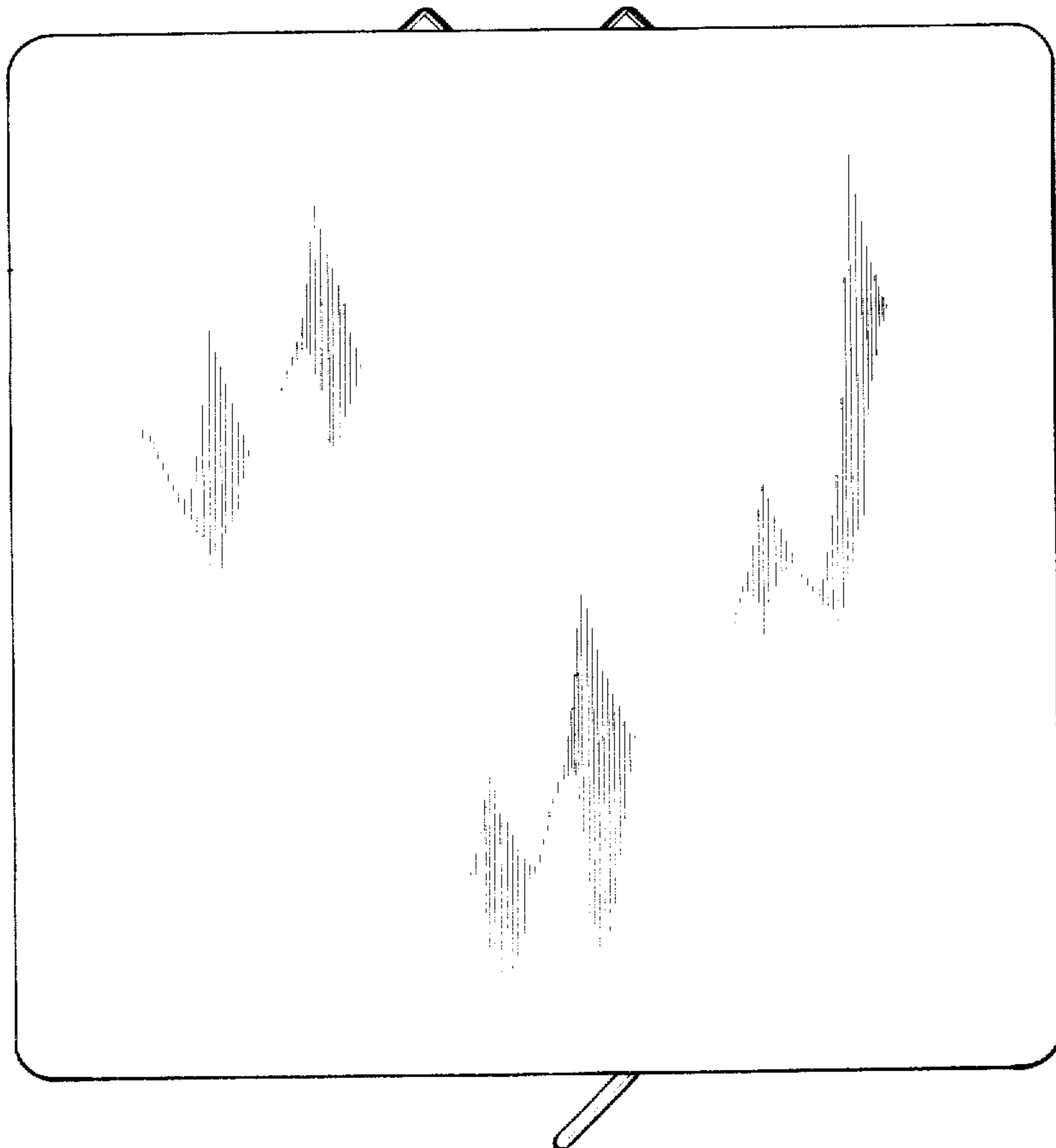


FIG. 7