

[54] FISHING REEL FOR MOUNTING ON ARCHERY BOW

[75] Inventor: Robert L. Finlay, Emporia, Kans.

[73] Assignee: BPE, Inc., Emporia, Kans.

[**] Term: 14 Years

[21] Appl. No.: 180,868

[22] Filed: Aug. 25, 1980

[51] Int. Cl. D22-05

[52] U.S. Cl. D22/25; D22/5

[58] Field of Search D22/5, 25, 26; 43/6, 43/19, 20, 22, 18 R; 124/24 R, 41 R, 86; D8/359, 358; 242/84.1 R

[56] References Cited

U.S. PATENT DOCUMENTS

3,129,525	4/1964	Lewis	43/19
3,314,186	4/1967	Viveiros	43/19 X
3,949,730	4/1976	Schoenberger	43/19 X
4,024,667	5/1977	Wegener	43/19

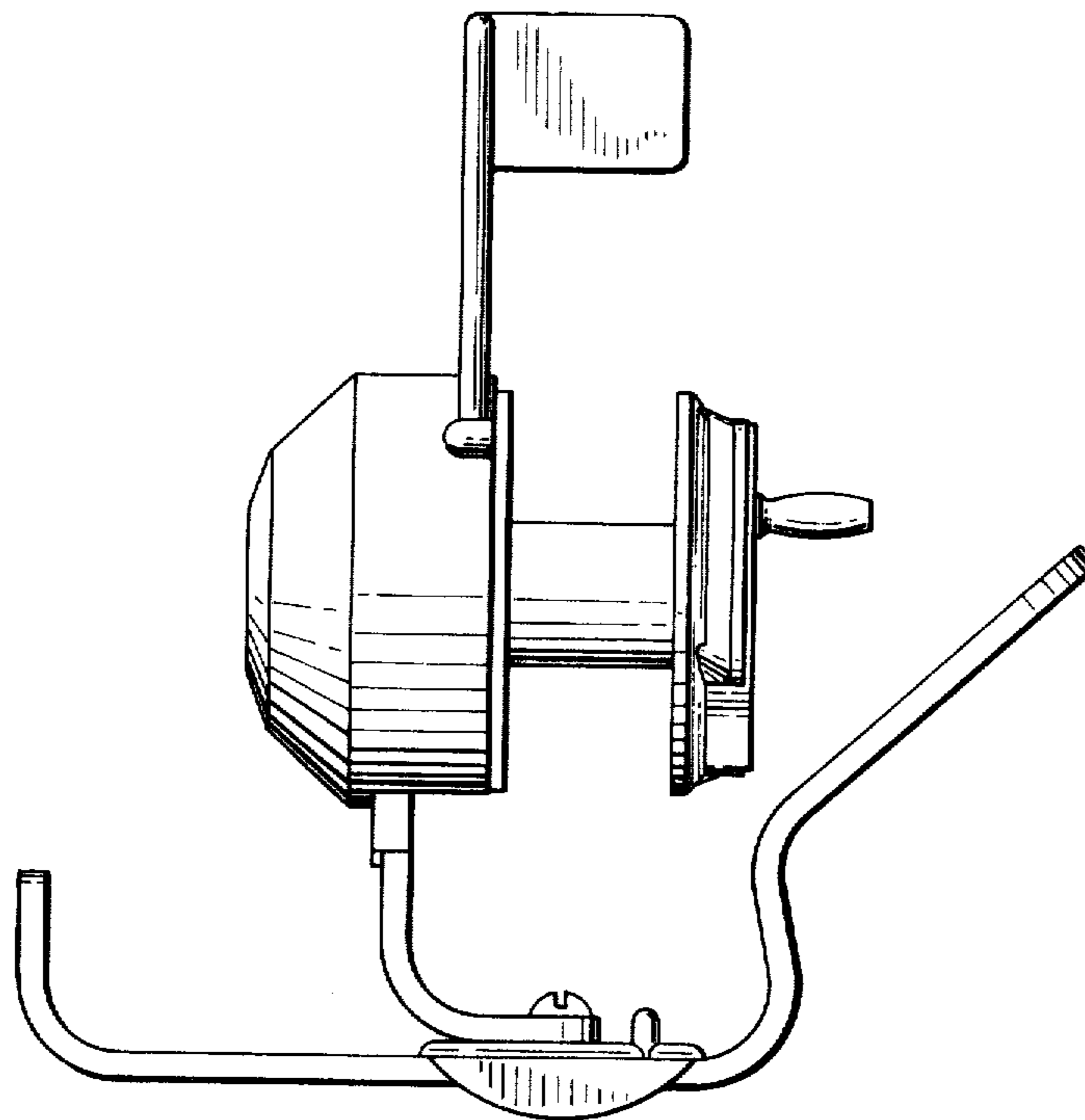
Primary Examiner—A. Hugo Word
Attorney, Agent, or Firm—Schmidt, Johnson, Hovey & Williams

[57] CLAIM

The ornamental design for a fishing reel for mounting on archery bow, as shown.

DESCRIPTION

FIG. 1 is a side elevational view of the fishing reel for mounting on archery bow, showing my new design; FIG. 2 is a front elevational view thereof; FIG. 3 is a top plan view; FIG. 4 is a bottom plan view; FIG. 5 is a side elevational view showing the side opposite to that shown in FIG. 1; FIG. 6 is a rear elevational view; FIG. 7 is a side elevational view, similar to FIG. 1 but with the reel turned 90° to its rewind position; and FIG. 8 is a front elevational view of the fishing reel for mounting on archery bow with the reel in the position shown in FIG. 7.



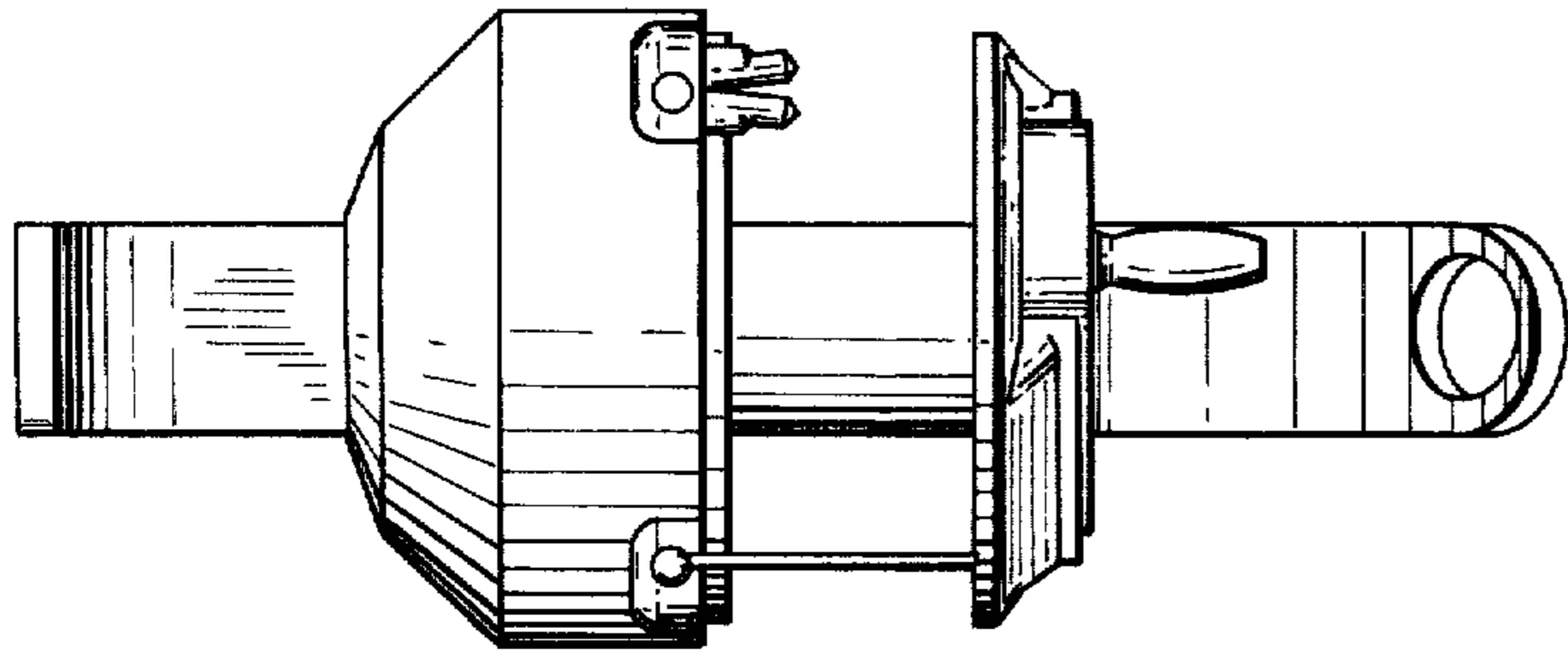


FIG. 3

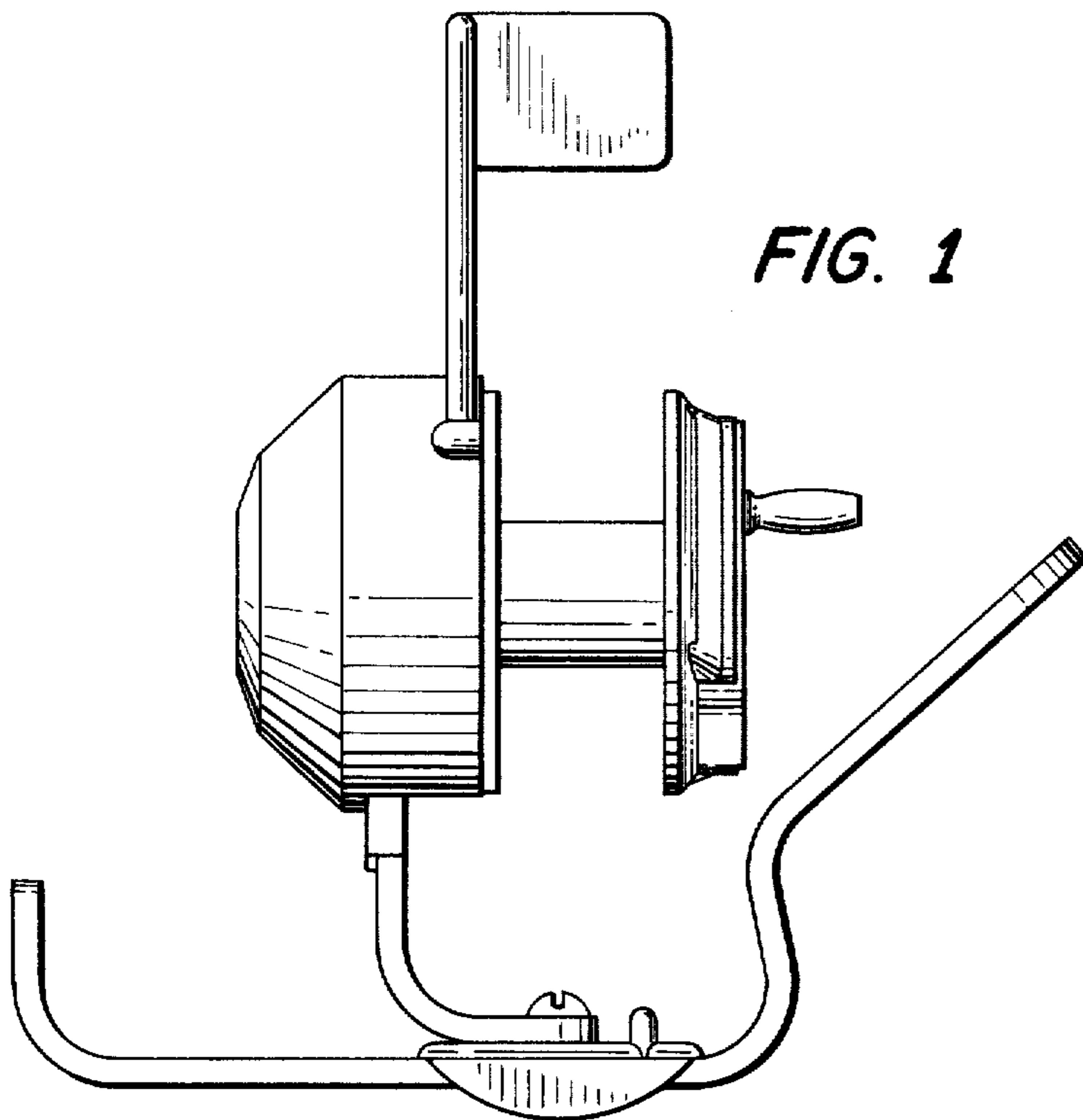


FIG. 1

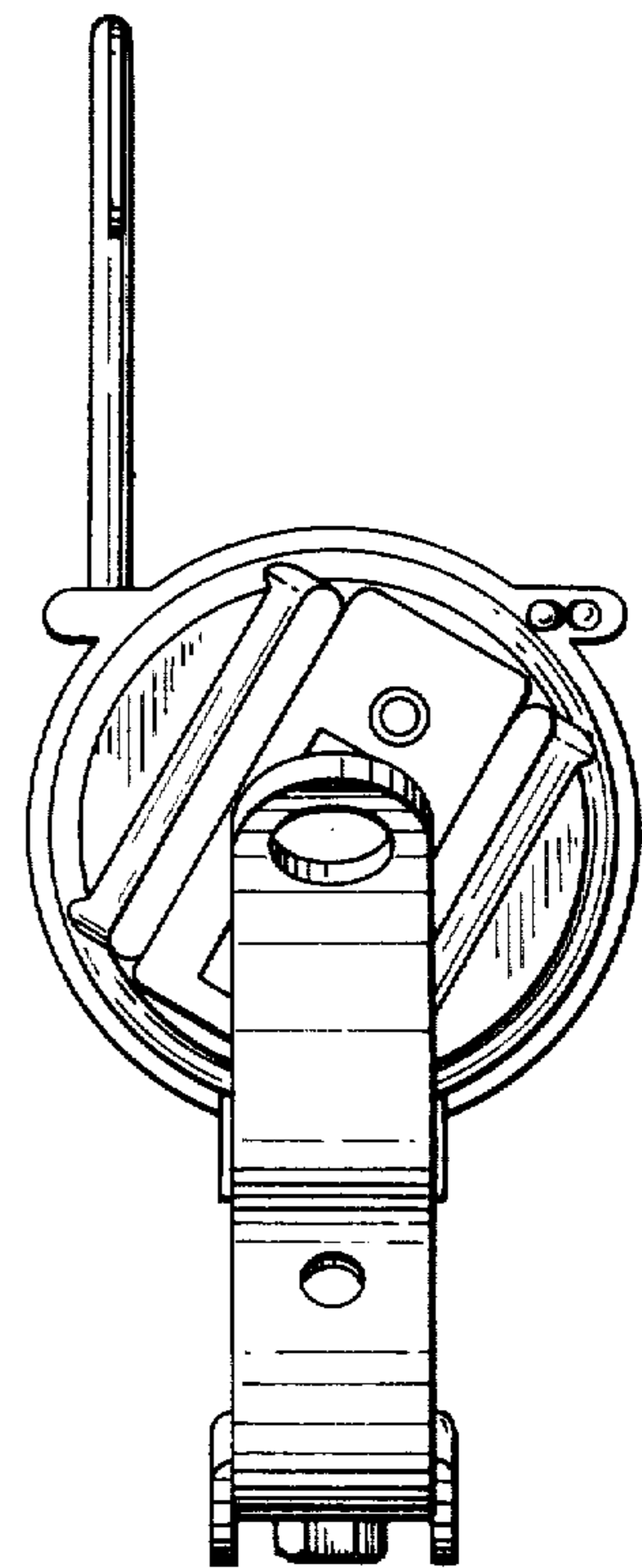


FIG. 2

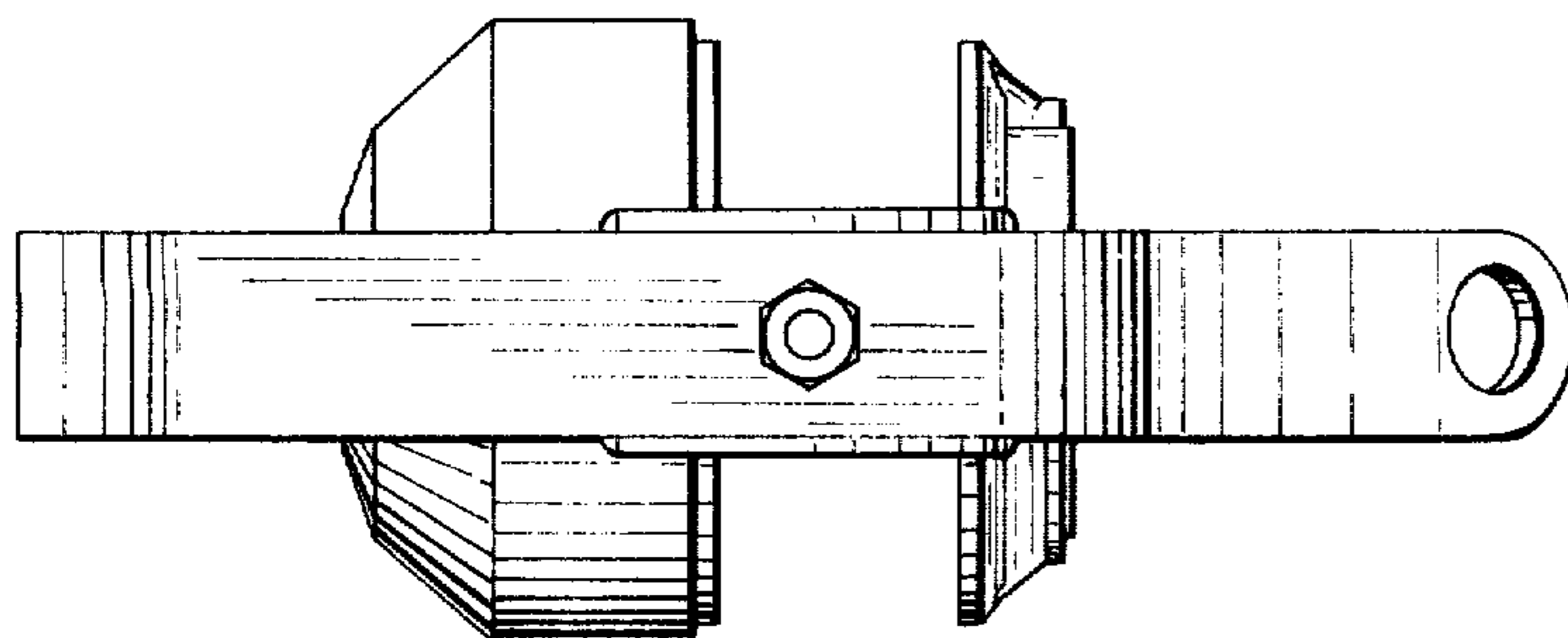


FIG. 4

FIG. 5

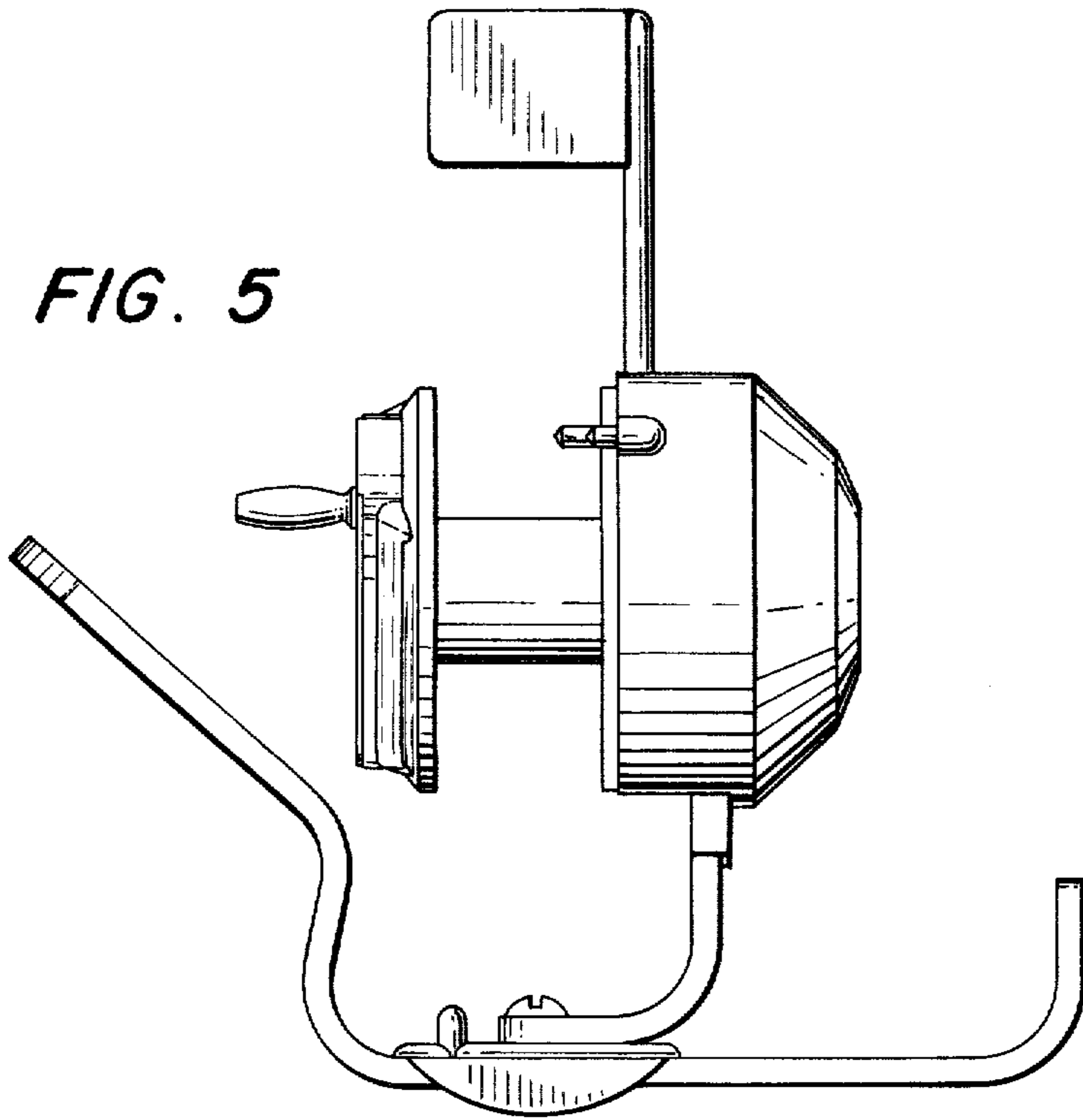


FIG. 6

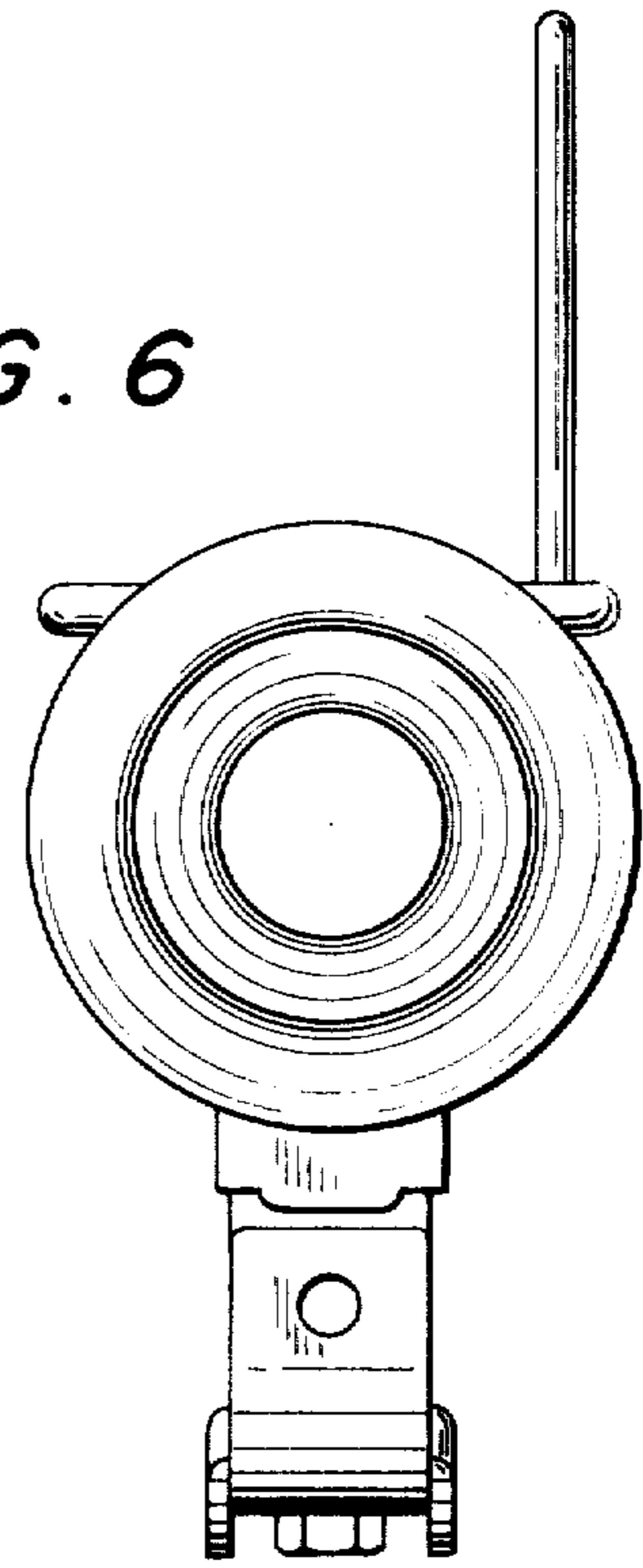


FIG. 7

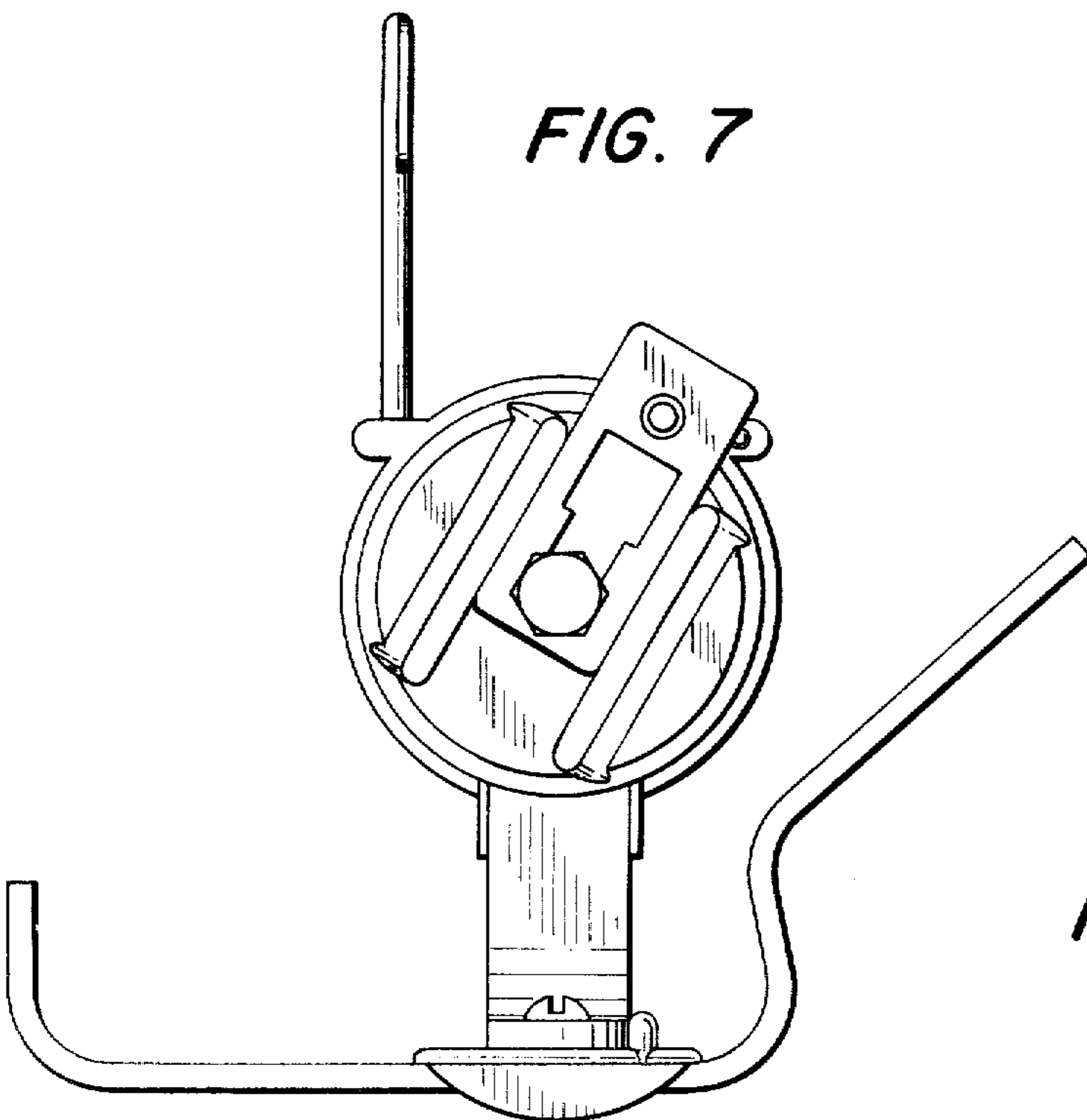


FIG. 8

