

[54] TOY CAROUSEL

[76] Inventor: Hubert H. Jackson, 1875 Catalpa Way, Hayward, Calif. 94545

[\*\*] Term: 14 Years

[21] Appl. No.: 135,520

[22] Filed: Mar. 31, 1980

[51] Int. Cl. .... D21-01

[52] U.S. Cl. .... D21/124; D21/249

[58] Field of Search ..... D21/71, 92, 124, 39, D21/249; 272/28; 46/39, 47, 175 R

[56] References Cited

U.S. PATENT DOCUMENTS

D. 143,076 12/1945 Kellerman ..... D21/249

D. 161,233 12/1950 Berkowitz ..... D21/249  
D. 163,479 5/1951 Ralston ..... D21/114  
D. 209,527 12/1967 Genin ..... D21/124  
975,311 11/1910 Allabough ..... D21/249

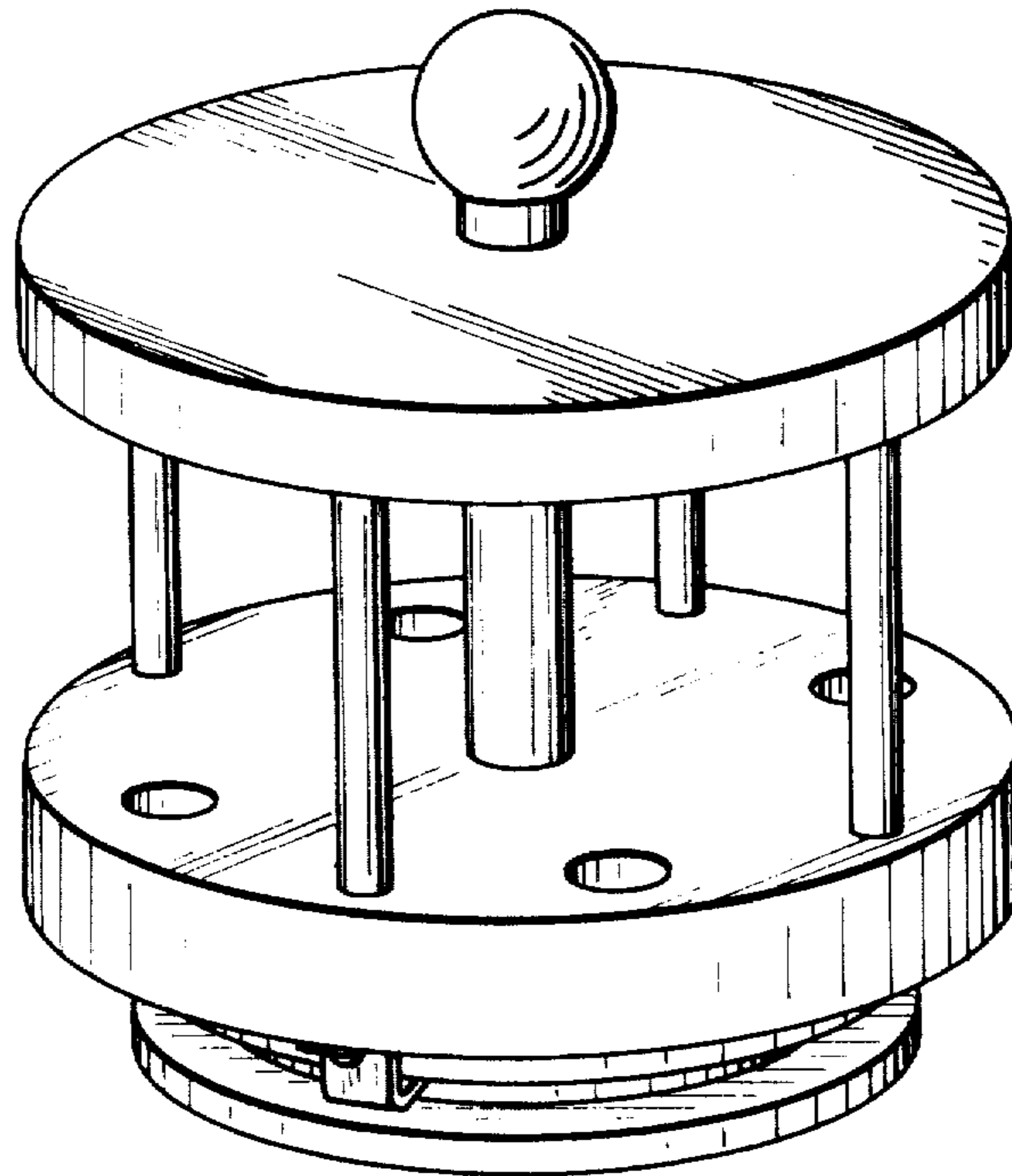
Primary Examiner—Charles A. Rademaker  
Attorney, Agent, or Firm—Ralph B. Pastoriza

[57] CLAIM

The ornamental design for a toy carousel, substantially as shown.

DESCRIPTION

FIG. 1 is a perspective view of a toy carousel showing my new design;  
FIG. 2 is a side elevational view thereof;  
FIG. 3 is a top plan view thereof; and  
FIG. 4 is a bottom plan view thereof.



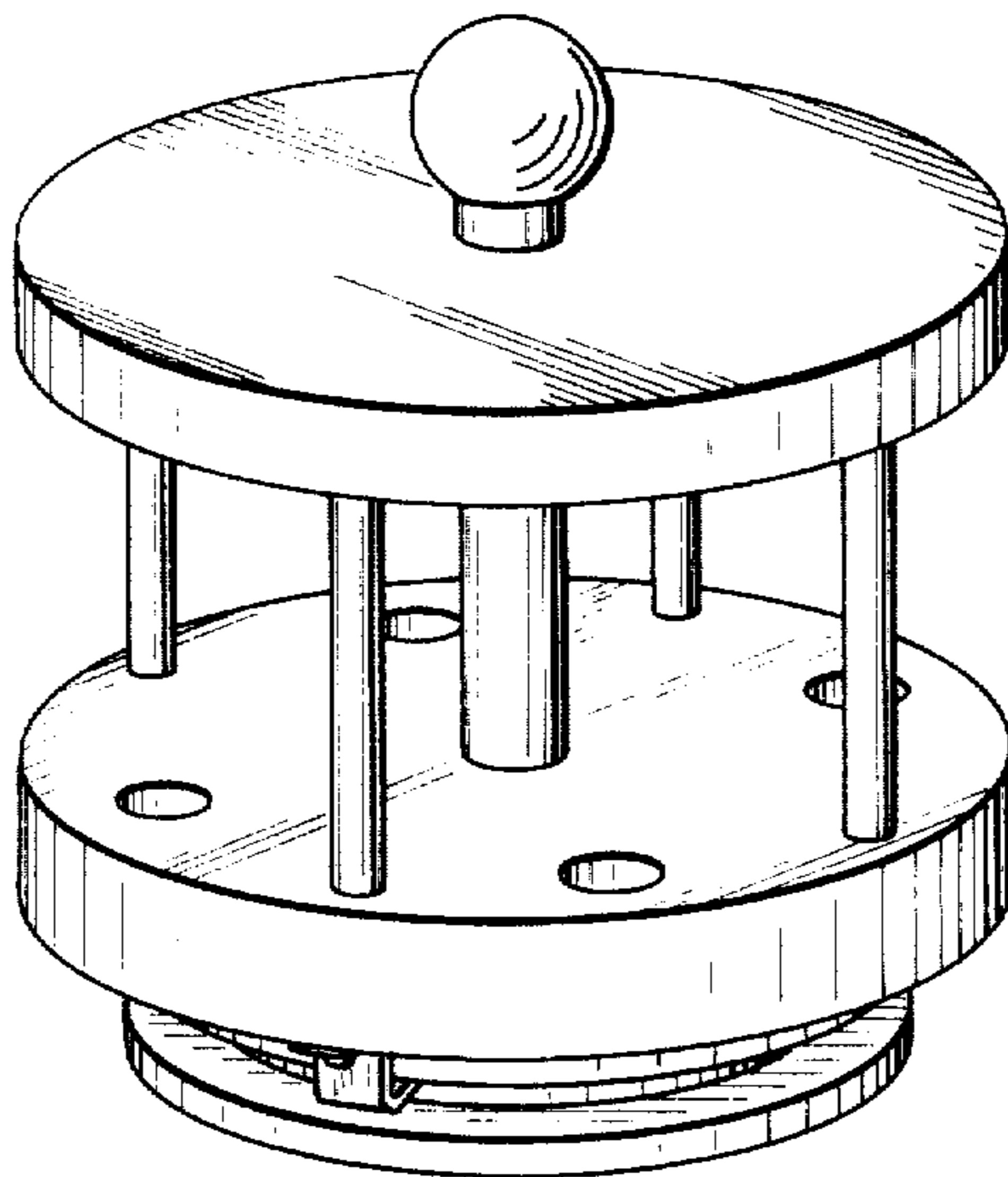


FIG. 1

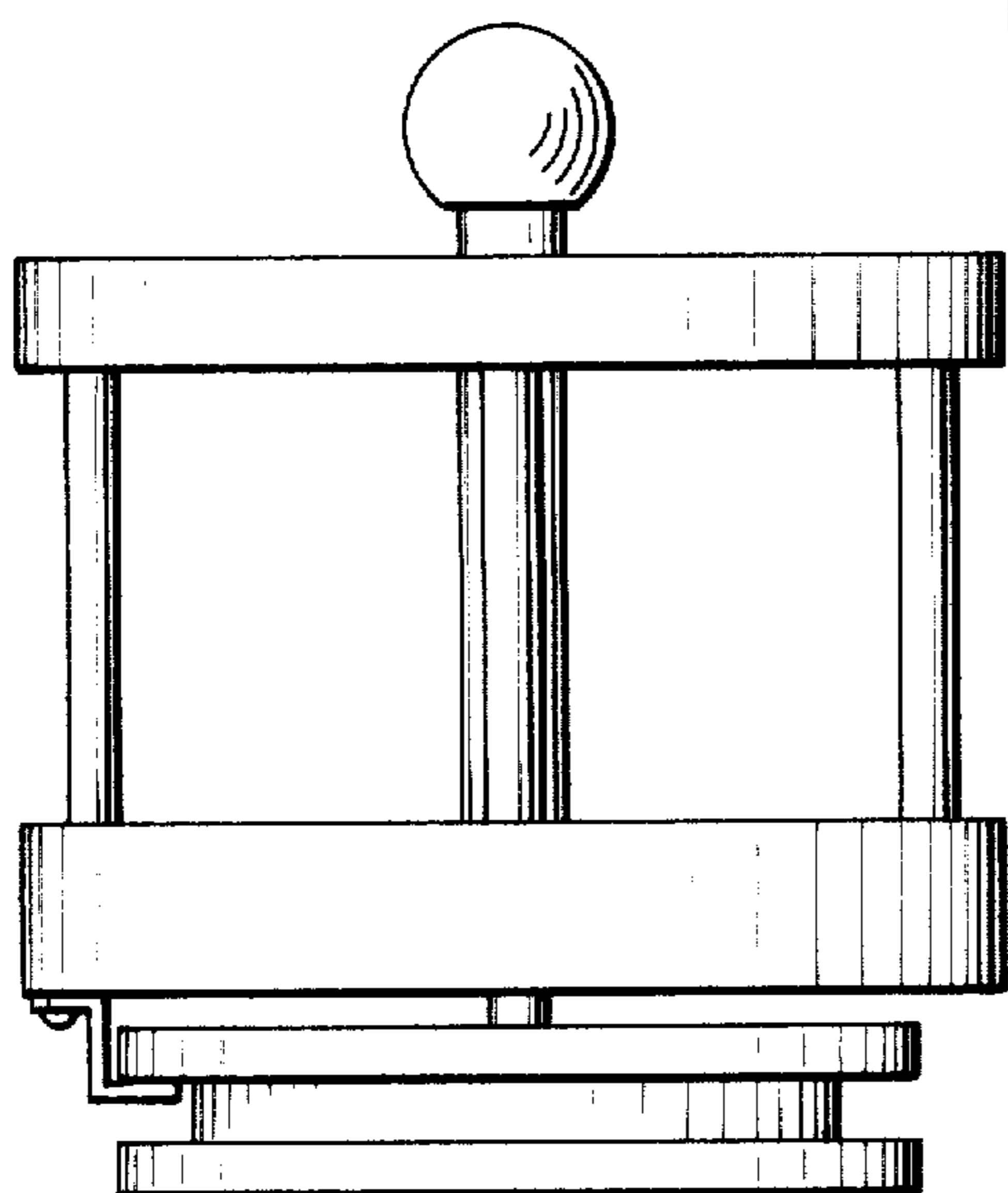


FIG. 2

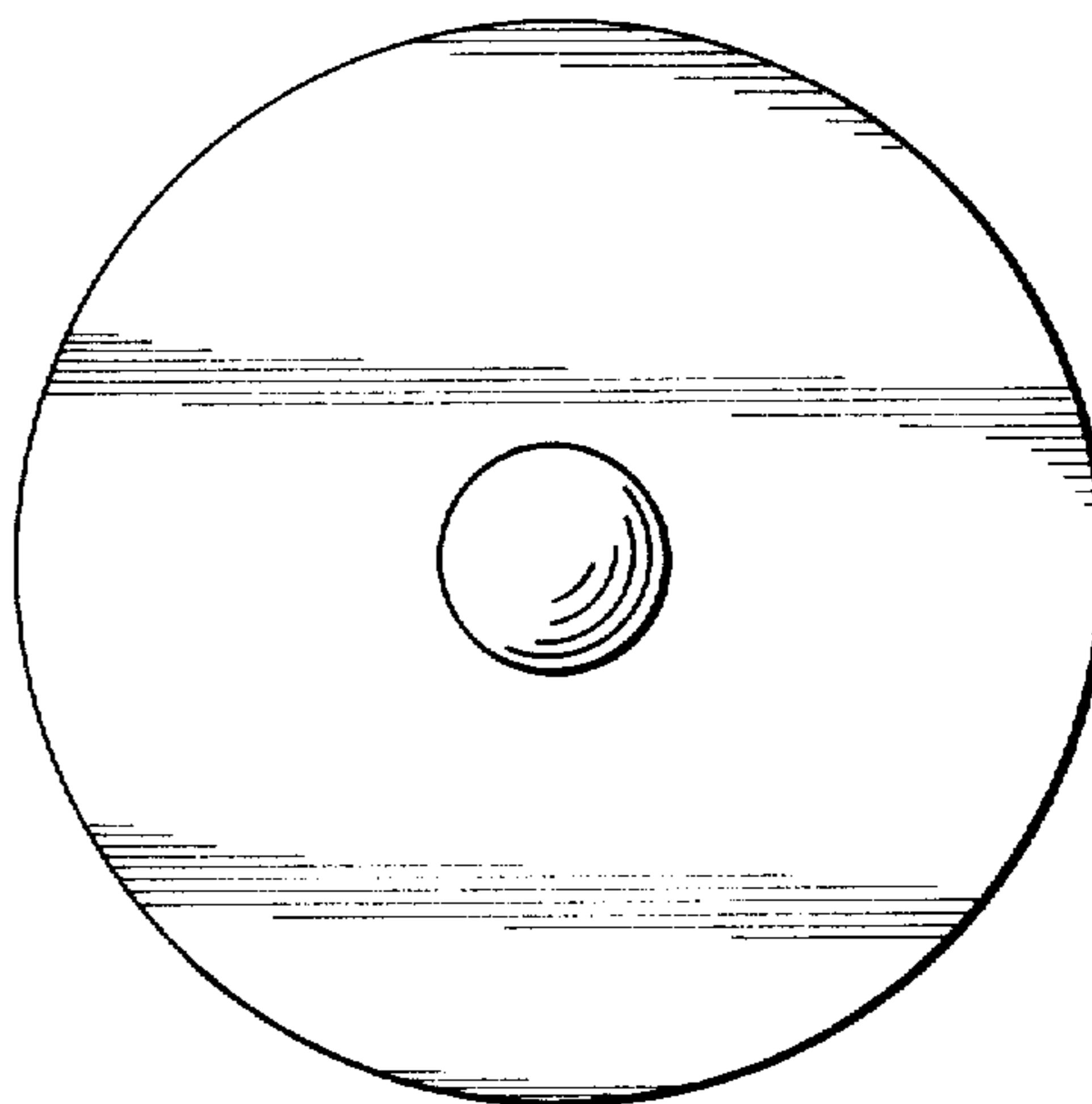


FIG. 3

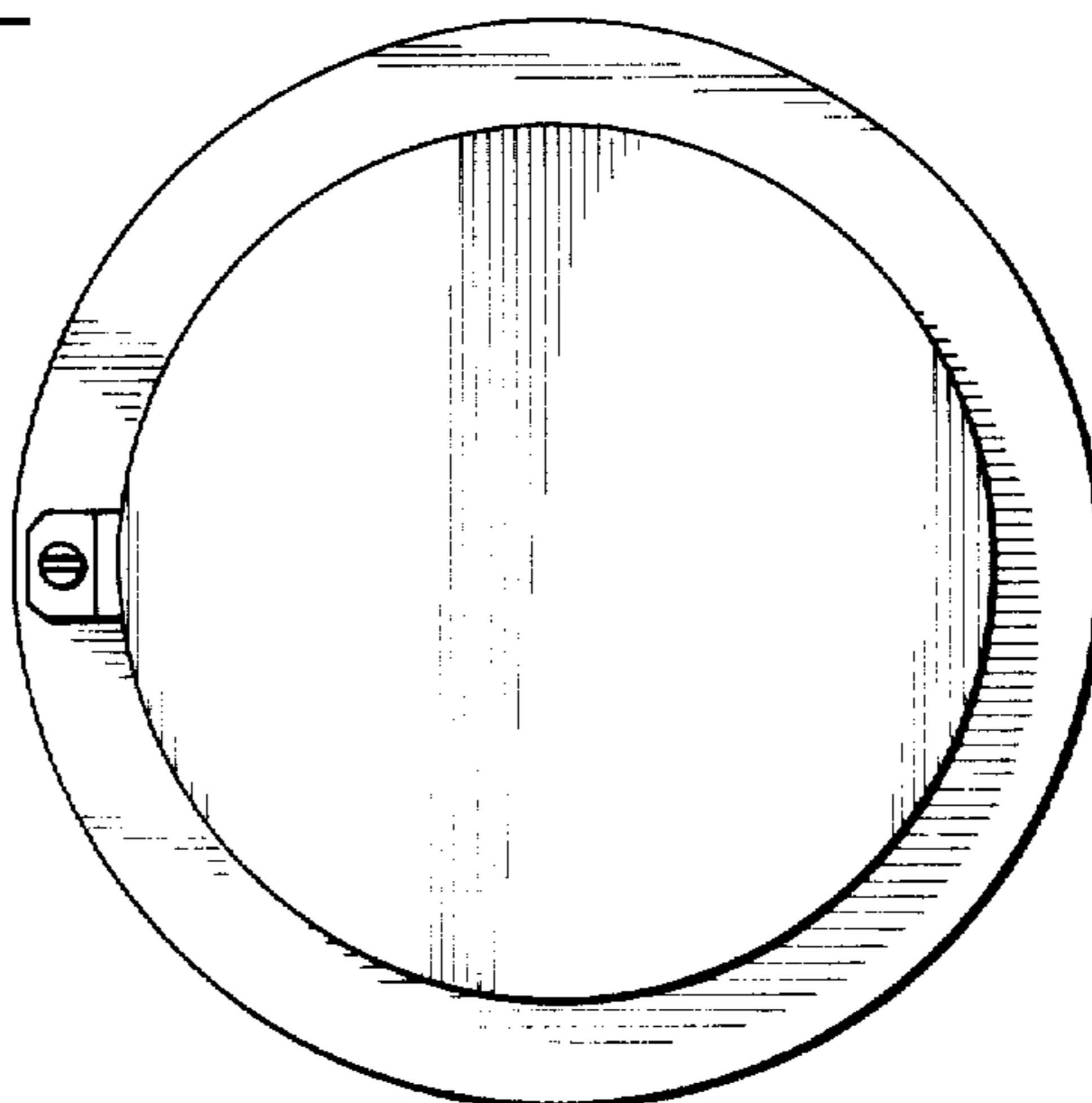


FIG. 4