

[54] MECHANICAL GAME

[75] Inventor: Michael W. Nuttall, Pasadena, Calif.

[73] Assignee: Tomy Kogyo Co., Inc., Tokyo, Japan

[**] Term: 14 Years

[21] Appl. No.: 40,598

[22] Filed: May 18, 1979

[51] Int. Cl. D21-01

[52] U.S. Cl. D21/2; D21/150;
D21/162

[58] Field of Search 273/1 R, 85 R; D21/162,
D21/150, 2; 273/85 E

[56] References Cited

U.S. PATENT DOCUMENTS

D. 122,347 9/1940 Yuran D21/162
D. 141,771 7/1945 Smith D21/150
D. 169,419 4/1953 Campbell D21/162
D. 246,197 10/1977 Iwanami D21/150

Primary Examiner—Charles A. Rademaker
Attorney, Agent, or Firm—Edward D. O'Brian

[57] CLAIM

The ornamental design for a mechanical game, substantially as shown and described.

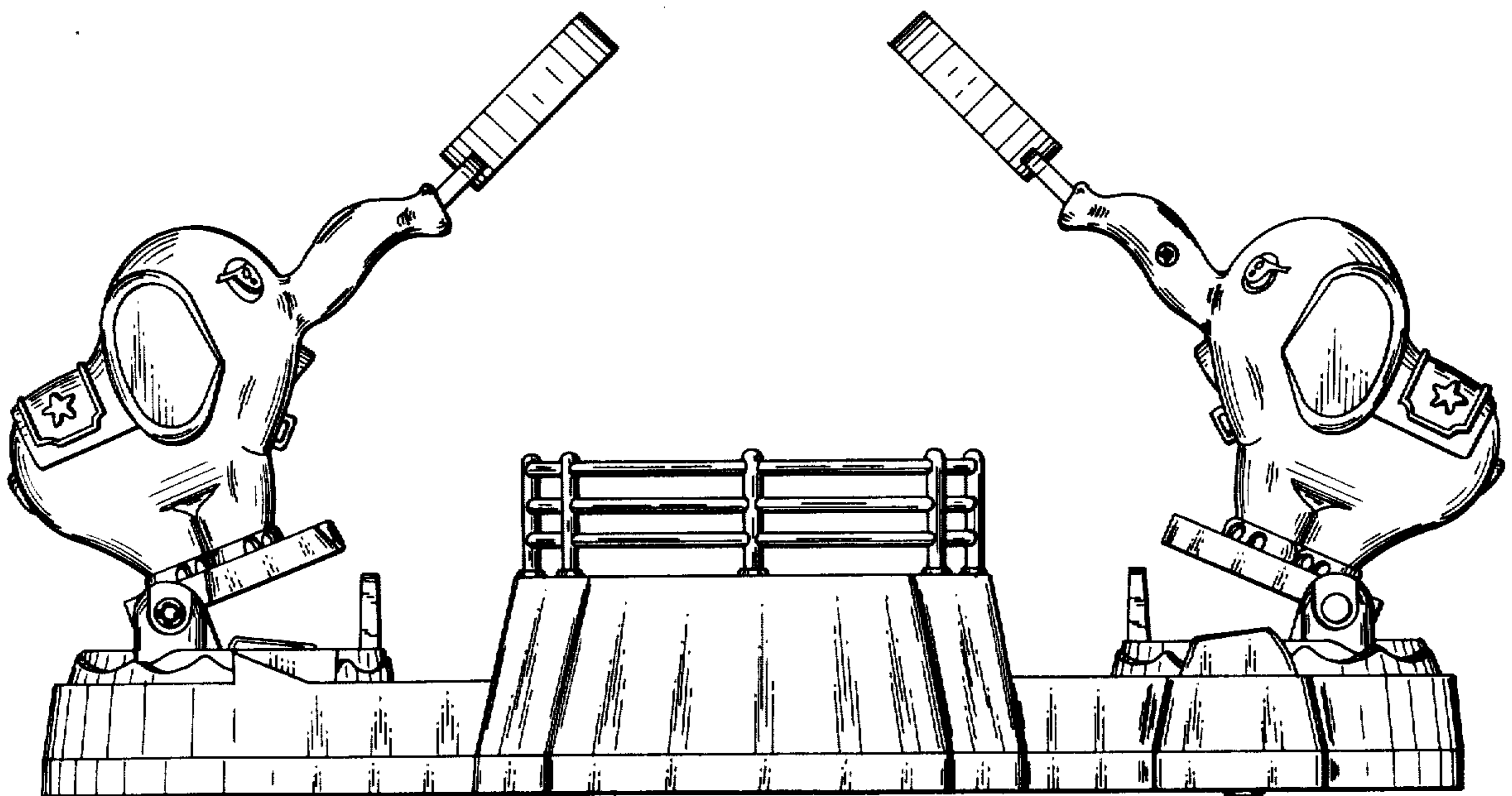
DESCRIPTION

FIG. 1 is a side elevational view of a mechanical game showing my new design; the side opposite being a mirror image;

FIG. 2 is an end elevational view thereof, the end opposite being a mirror image;

FIG. 3 is a top plan view thereof; and

FIG. 4 is a bottom plan view thereof.



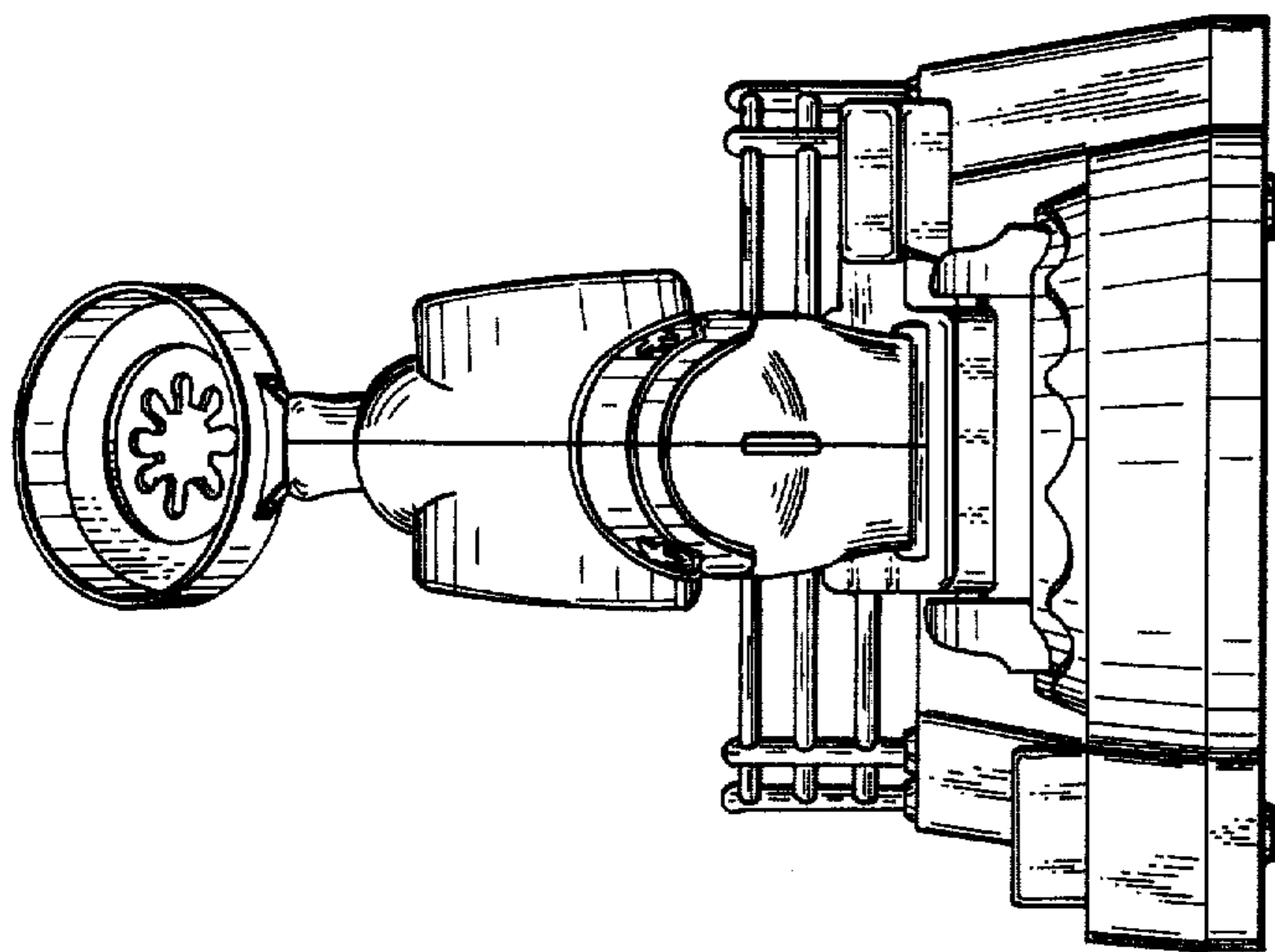


Fig. 2

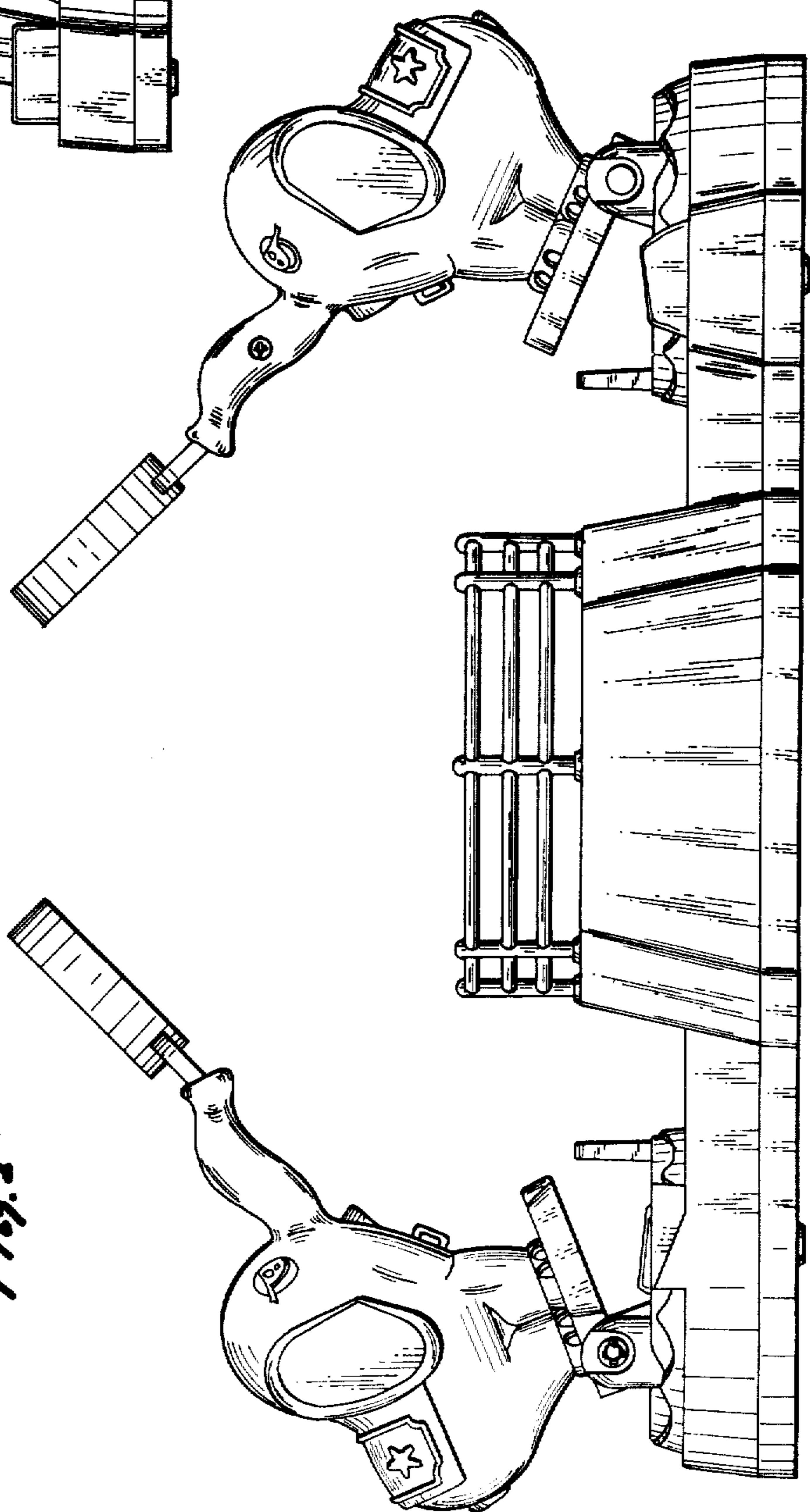


Fig. 1

FIG. 3

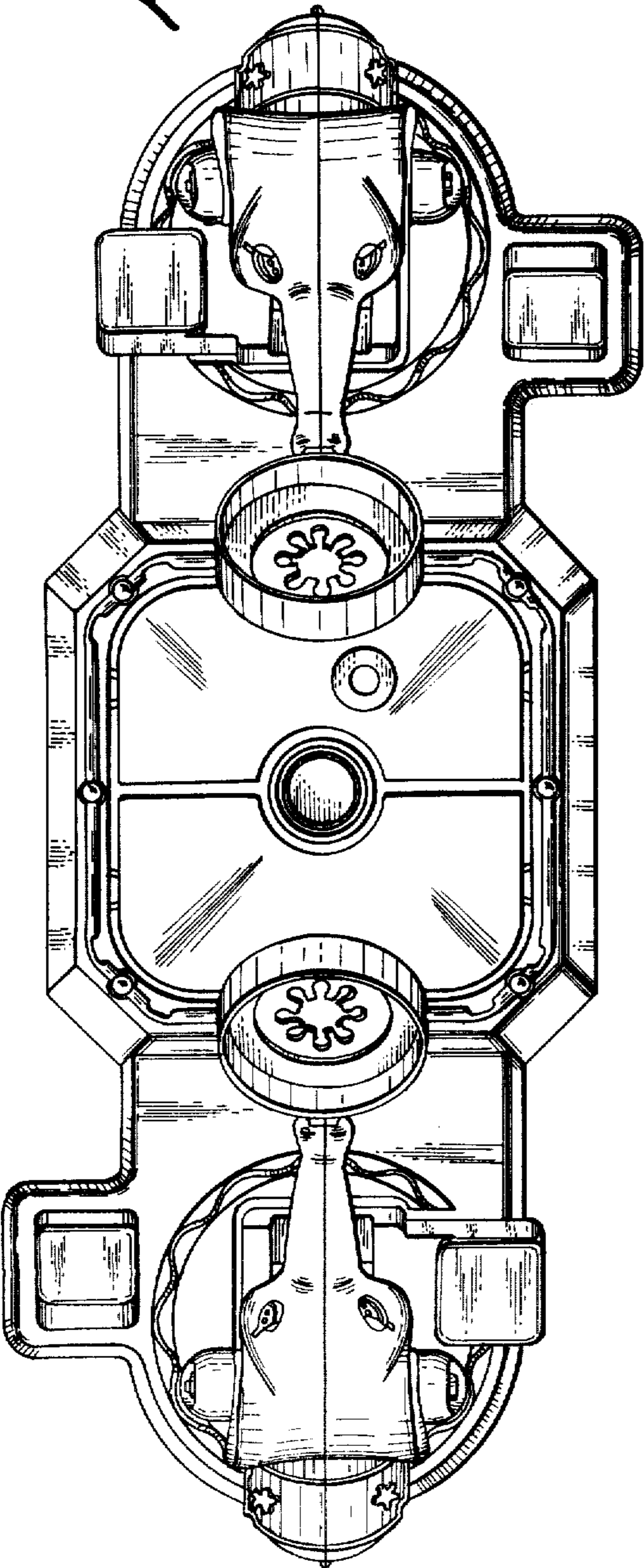


FIG. 4

