

[54] **CALENDAR HOLDER**

[76] Inventor: **Edward J. Goldman**, P.O. Box 2113,
Mansfield, Mass. 02048

[**] Term: **14 Years**

[21] Appl. No.: **173,088**

[22] Filed: **Jul. 28, 1980**

[51] Int. Cl. **D19-03**
[52] U.S. Cl. **D19/20; D19/92**
[58] Field of Search **D19/20-25,**
D19/92, 86, 87; 40/120; 281/15 B

[56] **References Cited**

U.S. PATENT DOCUMENTS

D. 43,708 3/1913 Weeks D19/86
D. 233,567 11/1974 Perry D19/20
D. 243,524 3/1977 Intini D19/92
1,885,129 11/1932 Morris 40/120

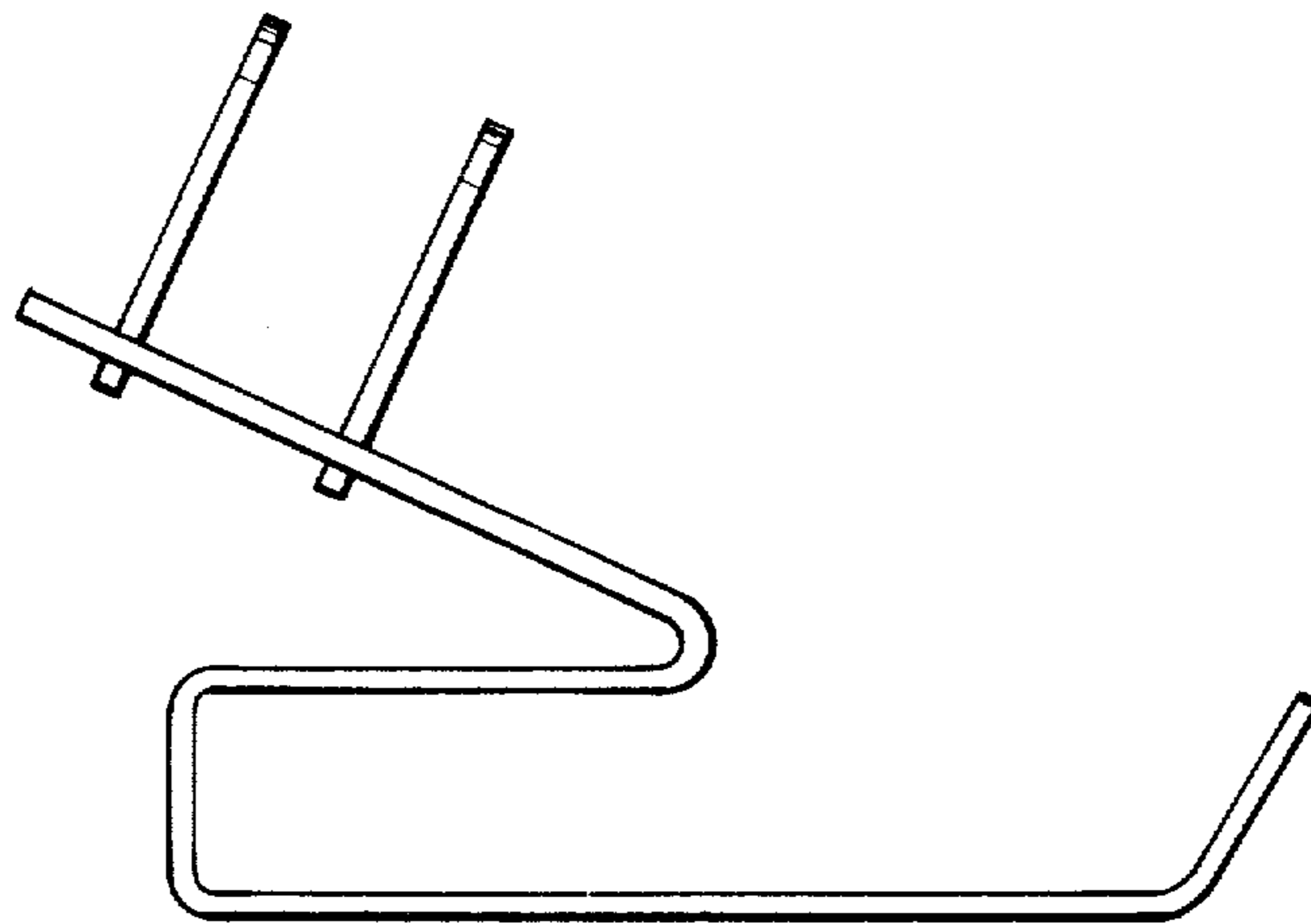
Primary Examiner—George P. Word
Attorney, Agent, or Firm—Gordon Needleman

[57] **CLAIM**

The ornamental design for a calendar holder, as shown.

DESCRIPTION

FIG. 1 is a front elevational view of a calendar holder showing my new design;
FIG. 2 is a top plan view thereof;
FIG. 3 is a rear elevational view thereof;
FIG. 4 is a bottom plan view thereof; and
FIG. 5 is a left side elevational view thereof.



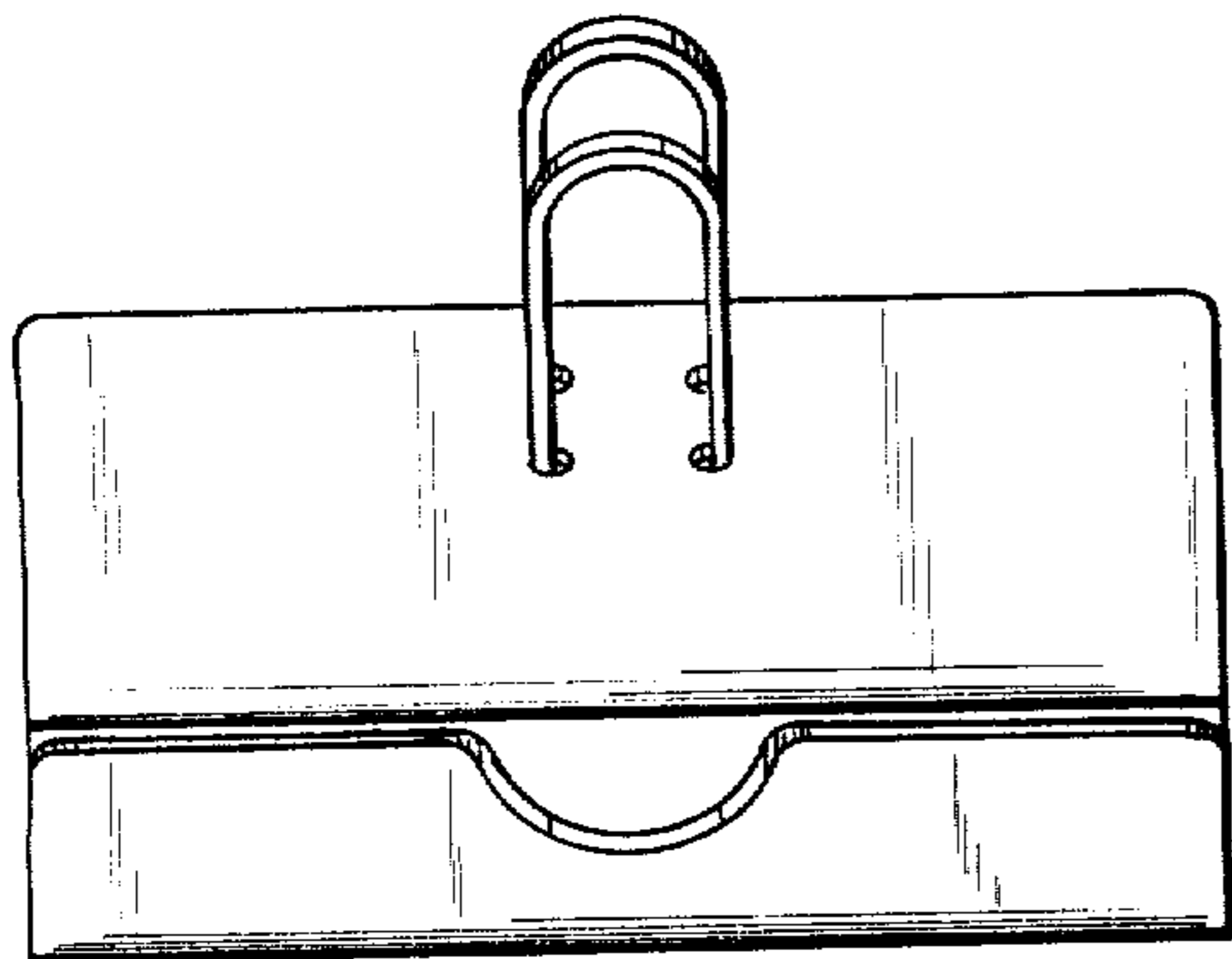


FIG. 1

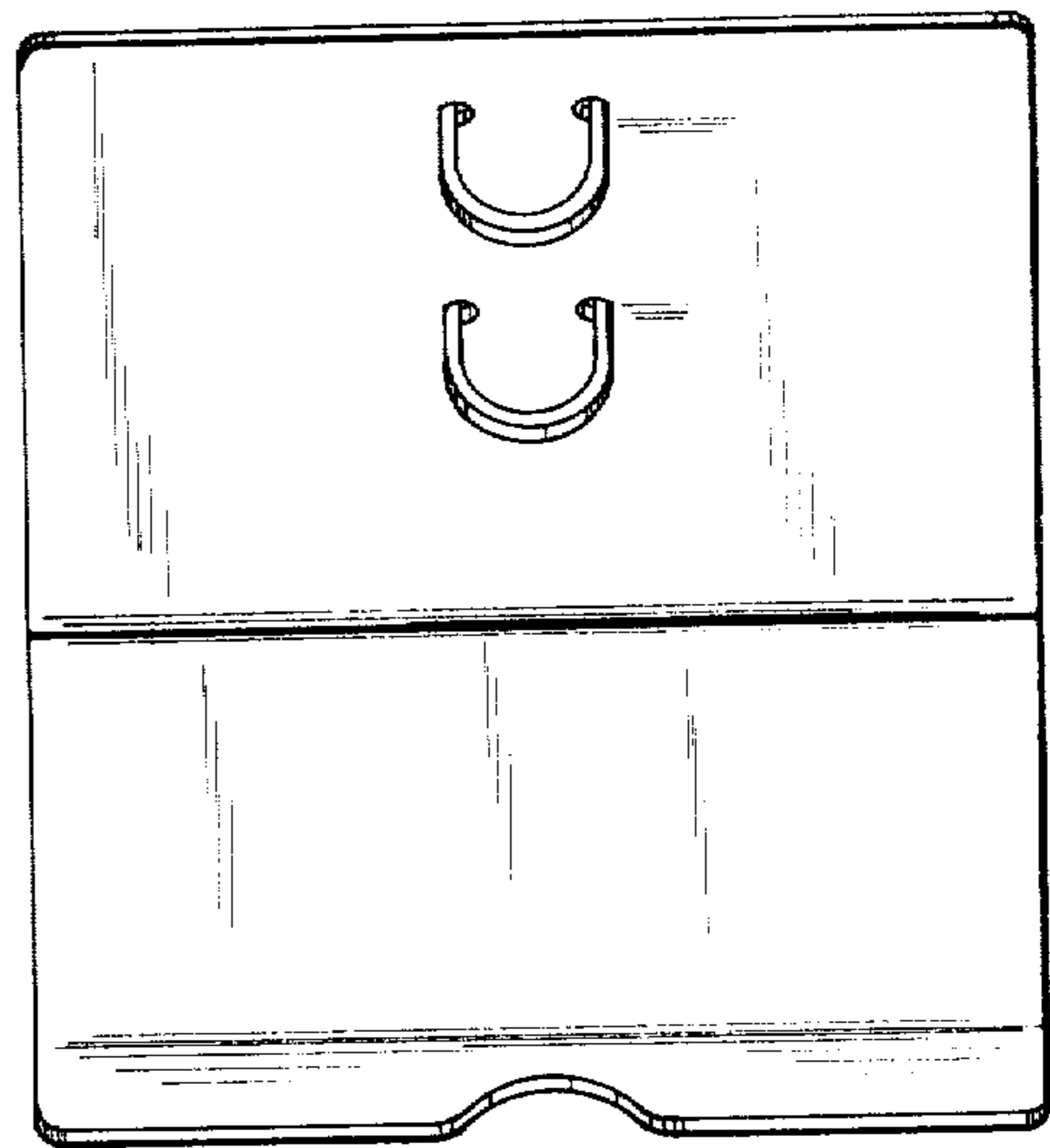


FIG. 2

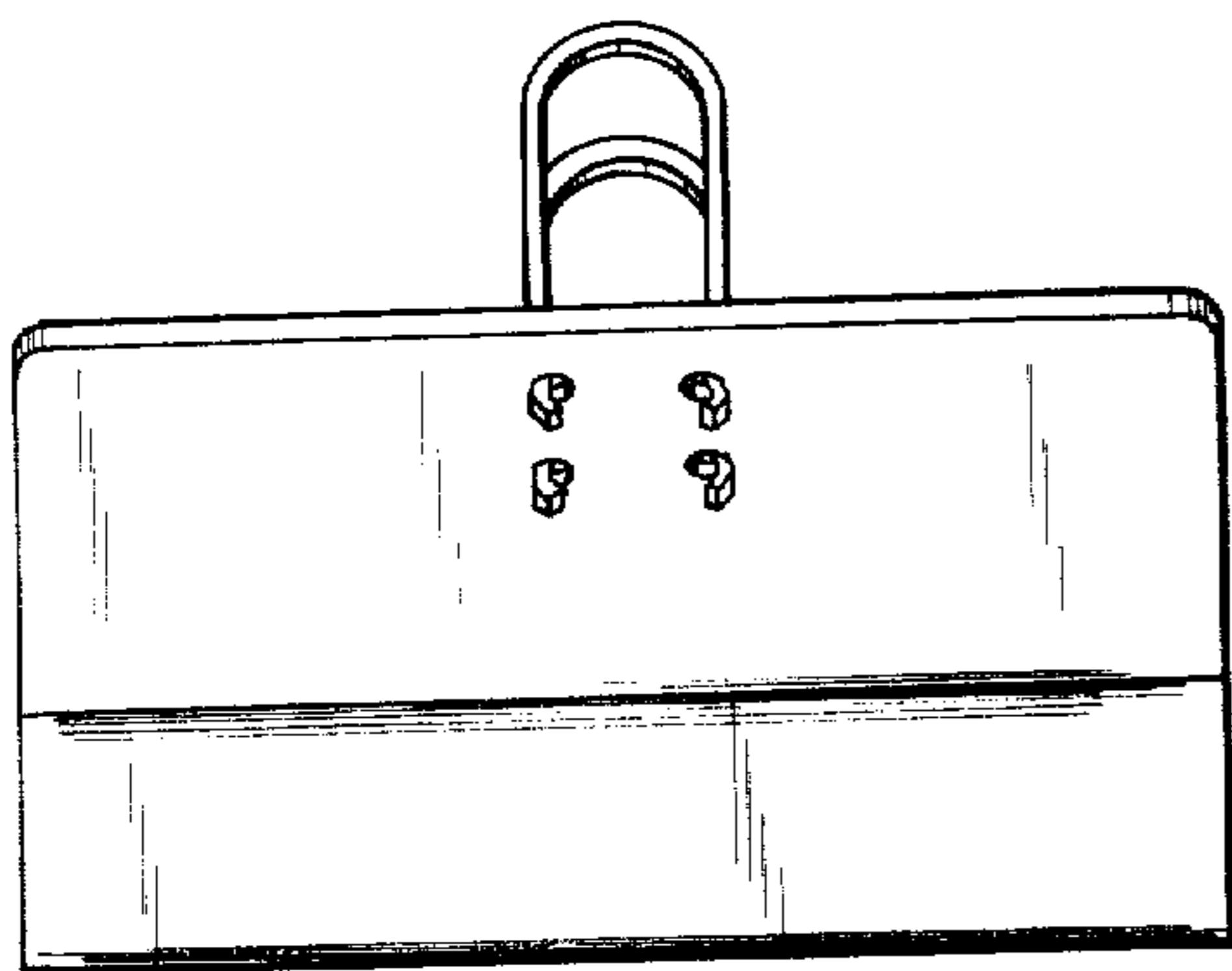


FIG. 3

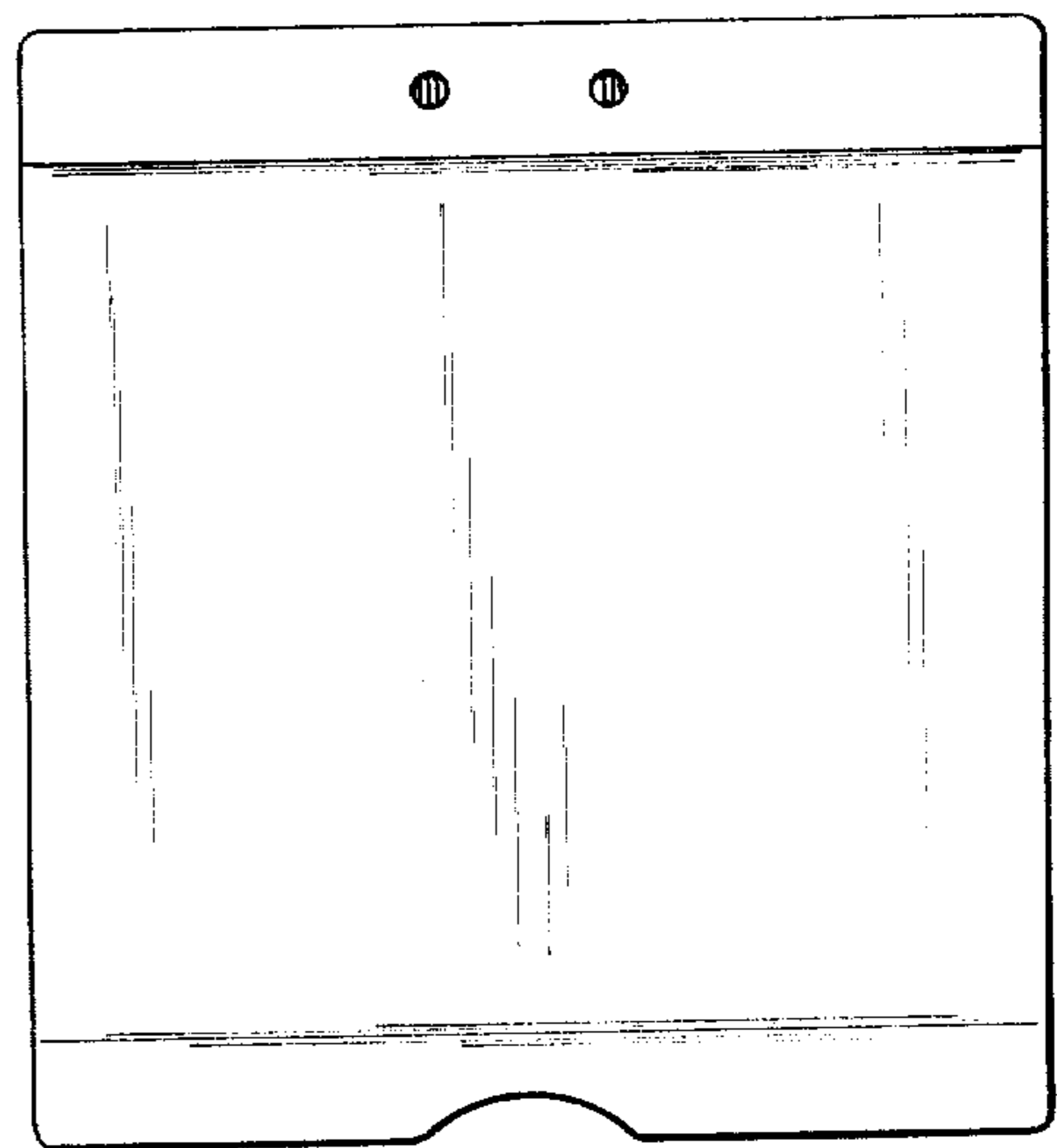


FIG. 4

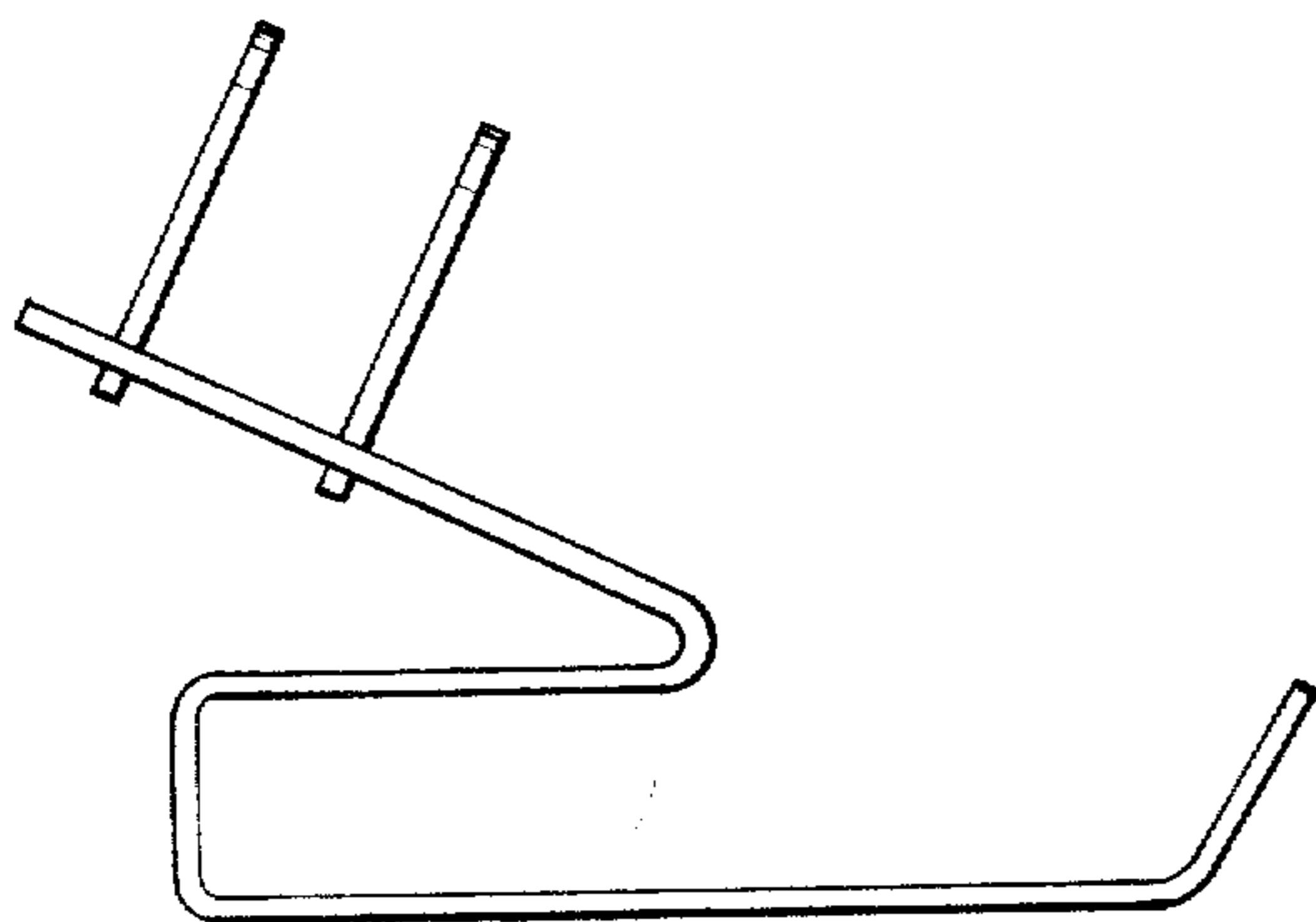


FIG. 5