

[54] PRINTING DEVICE

[75] Inventor: Toshiro Ohno, Tokyo, Japan

[73] Assignee: Oki Electric Industry Co., Ltd.,
Tokyo, Japan

[**] Term: 14 Years

[21] Appl. No.: 184,190

[22] Filed: Sep. 4, 1980

[30] Foreign Application Priority Data

Mar. 14, 1980 [JP] Japan 55-009698

[51] Int. Cl. D18-02

[52] U.S. Cl. D18/13; D18/6

[58] Field of Search D18/7, 11-13,
D18/22, 99, 6; D14/100, 111; 101/132.5

[56] References Cited

U.S. PATENT DOCUMENTS

D. 227,472 6/1973 Hikawa D18/7
D. 237,977 12/1975 Isaacs D14/100
D. 242,721 12/1976 Herr et al. D18/7
D. 258,664 3/1981 Bellini D18/7

Primary Examiner—Louis S. Zarfes
Attorney, Agent, or Firm—Berger & Palmer

[57] CLAIM

The ornamental design for a printing device, as shown and described.

DESCRIPTION

FIG. 1 is a front elevation of a printing device showing my new design;
FIG. 2 is a top plan view thereof;
FIG. 3 is a rear elevation thereof;
FIG. 4 is a bottom plan view thereof;
FIG. 5 is a left side elevation thereof;
FIG. 6 is a right side elevation thereof;
FIG. 7 is a front perspective view thereof.

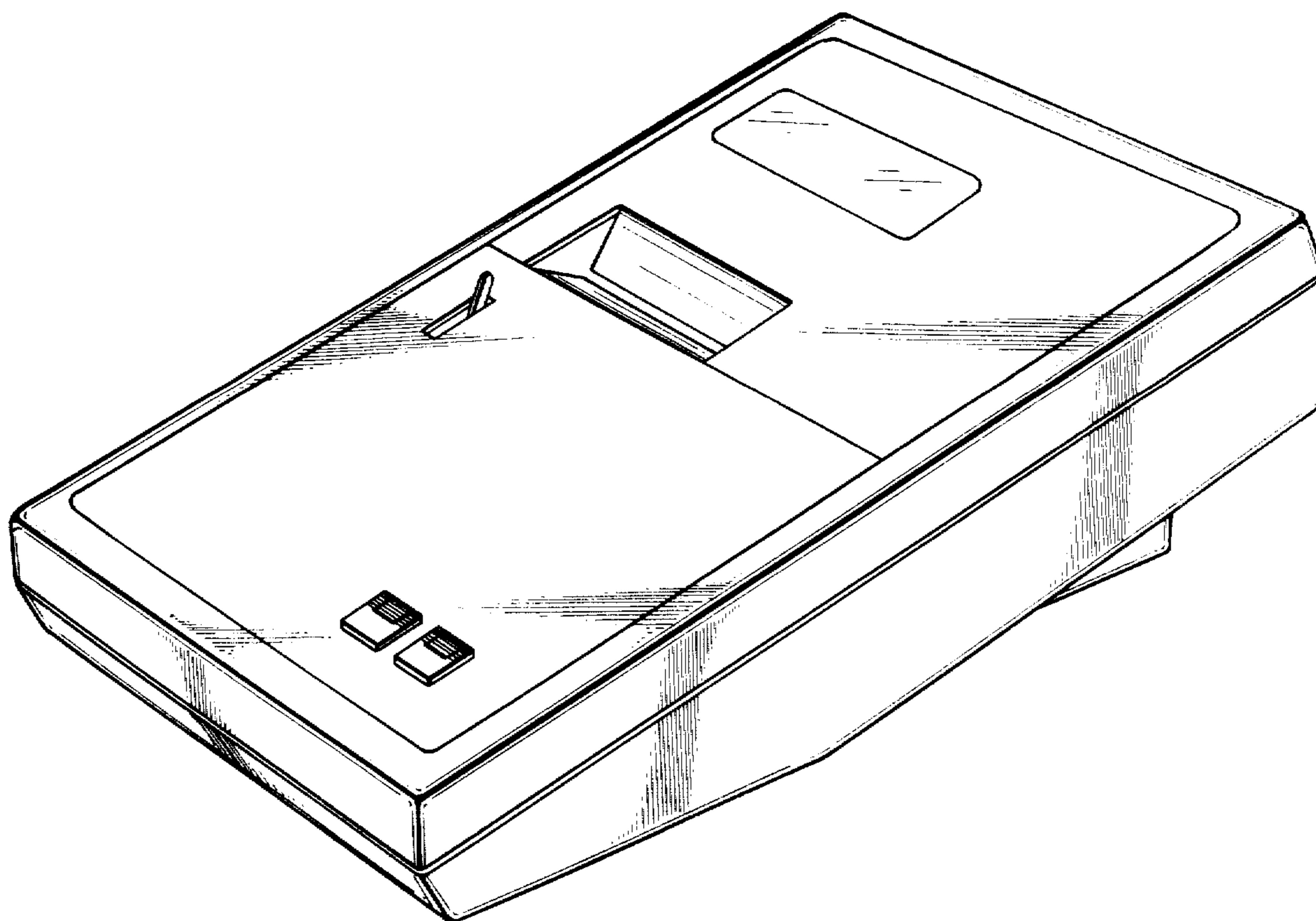


FIG. 1

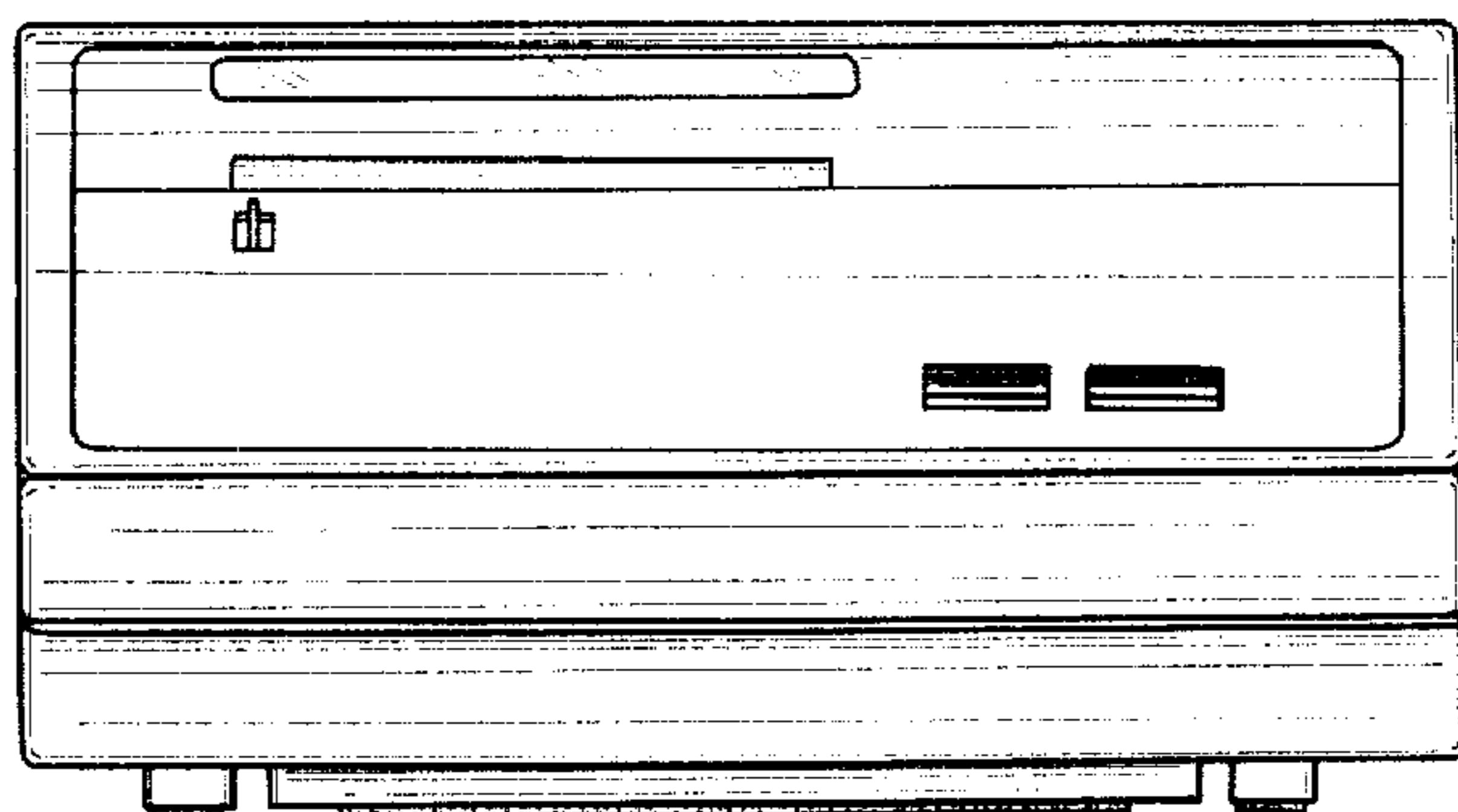


FIG. 2

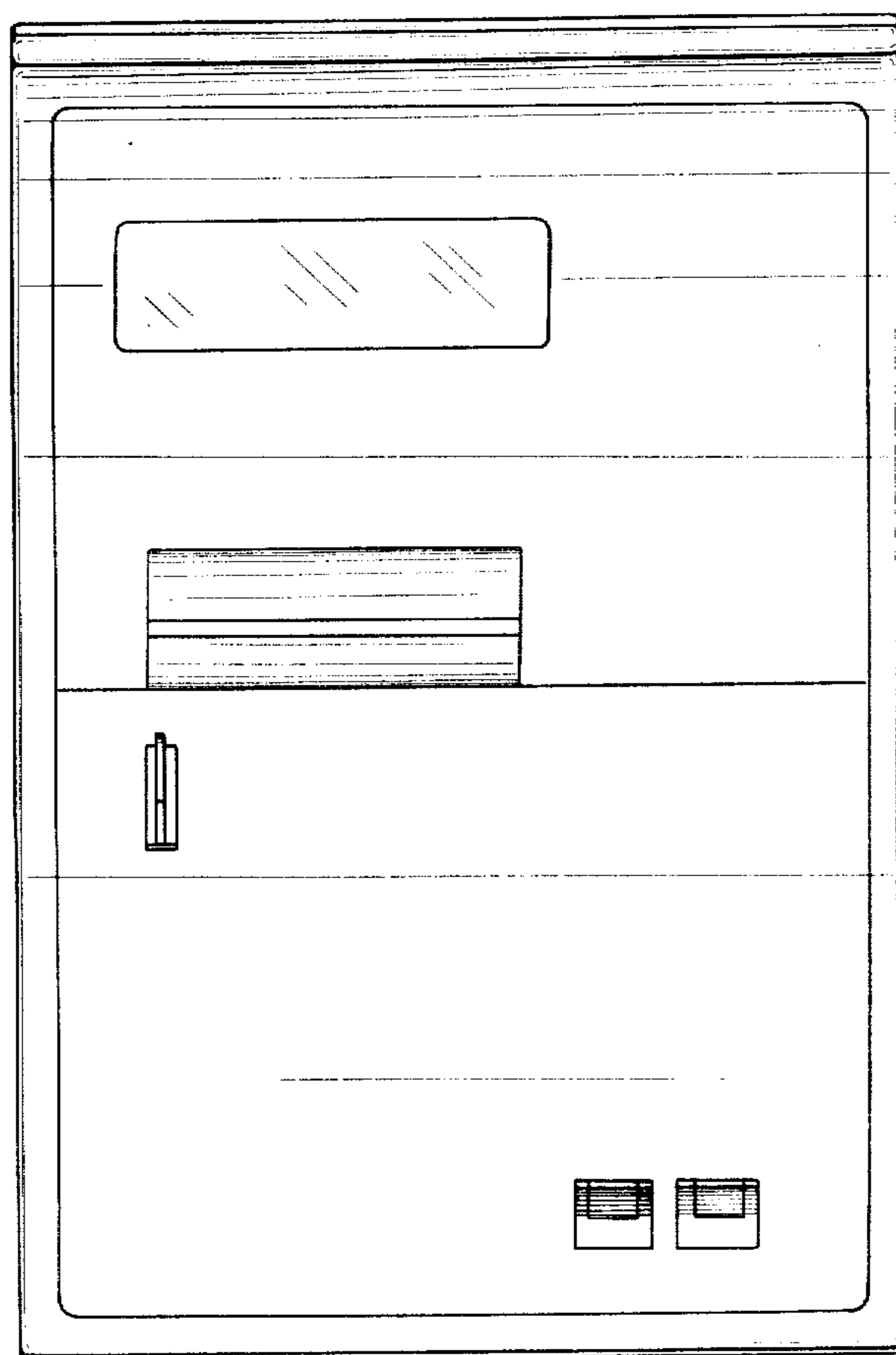


FIG. 3

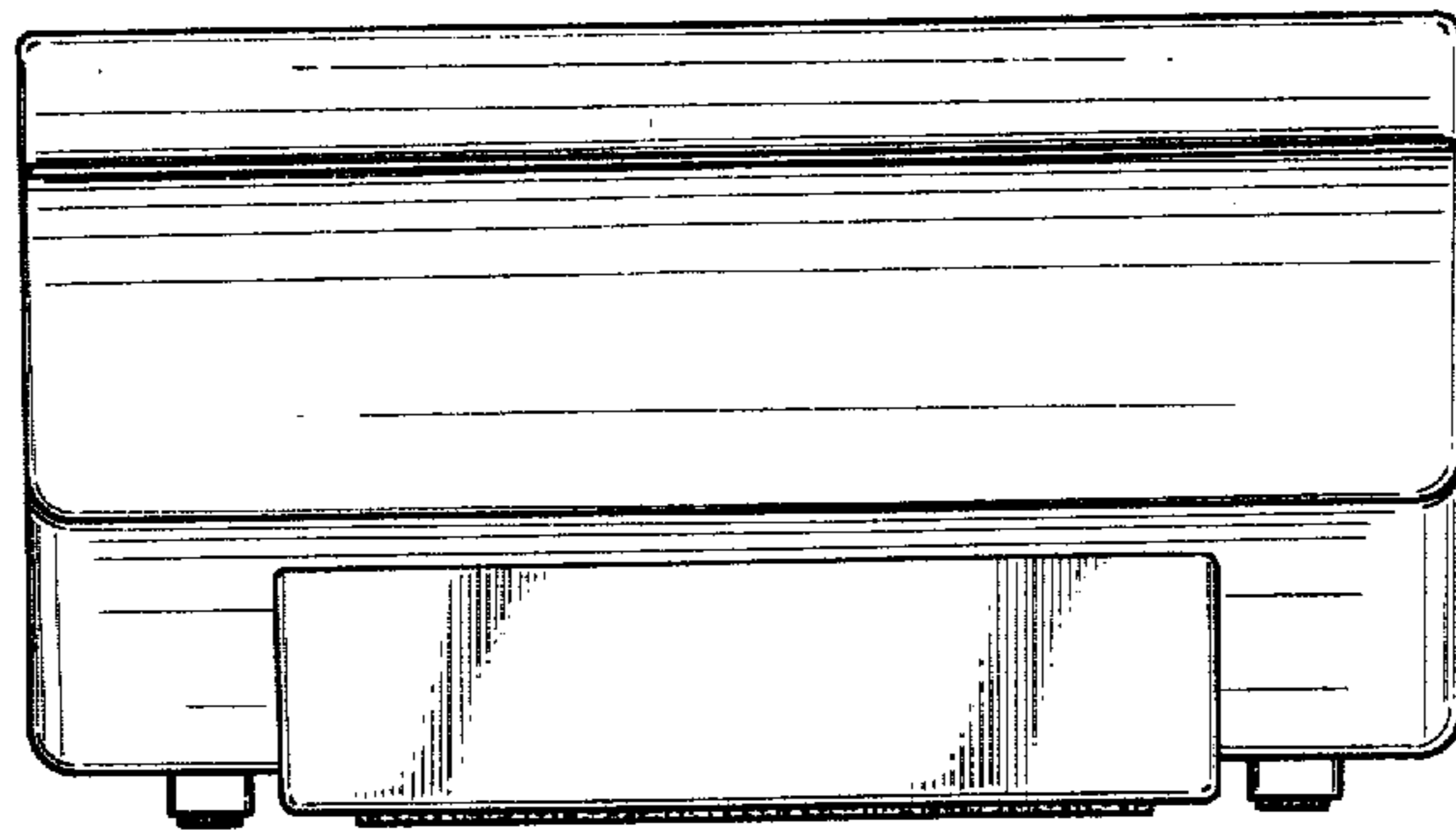


FIG. 4

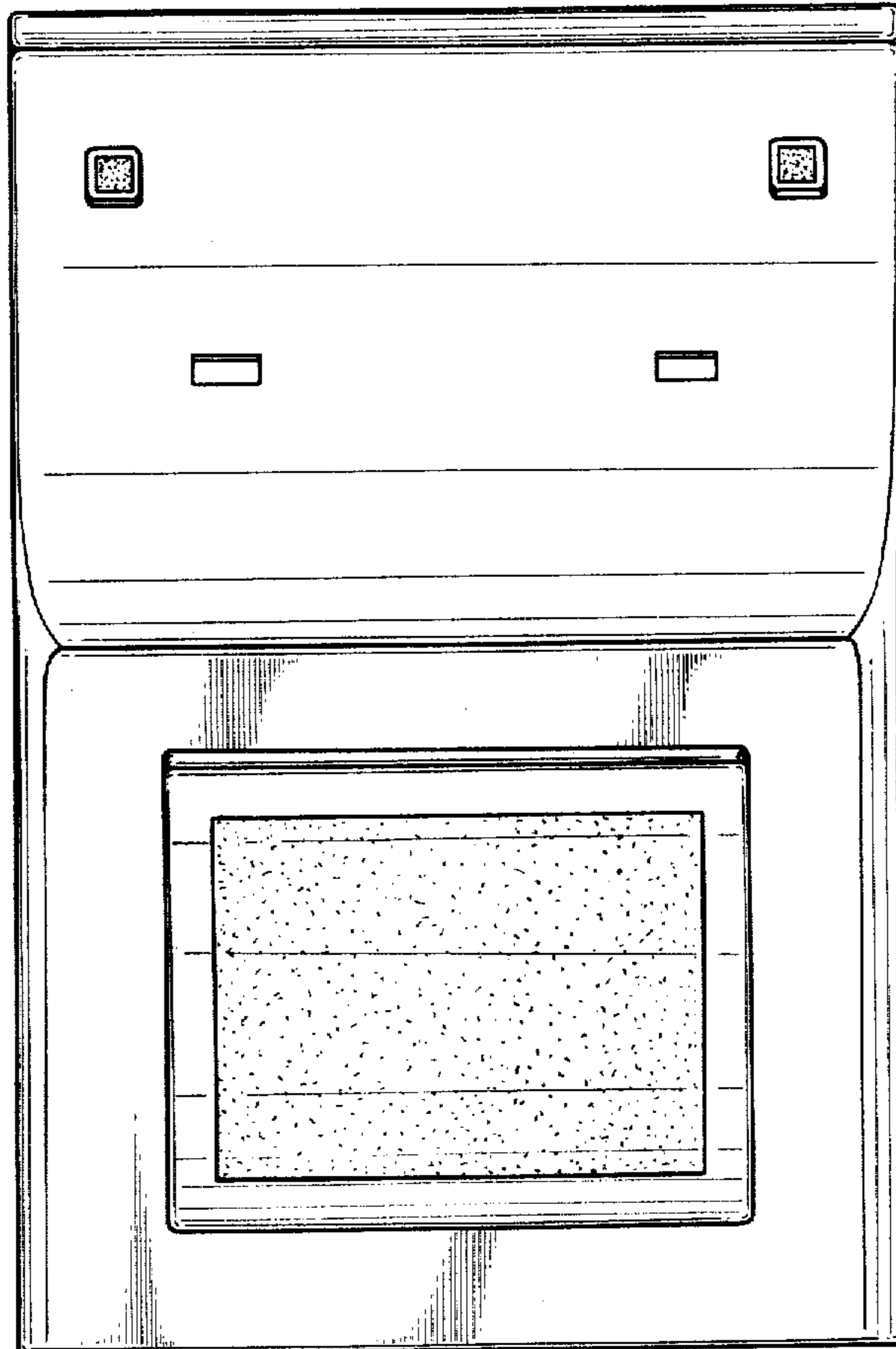


FIG. 5

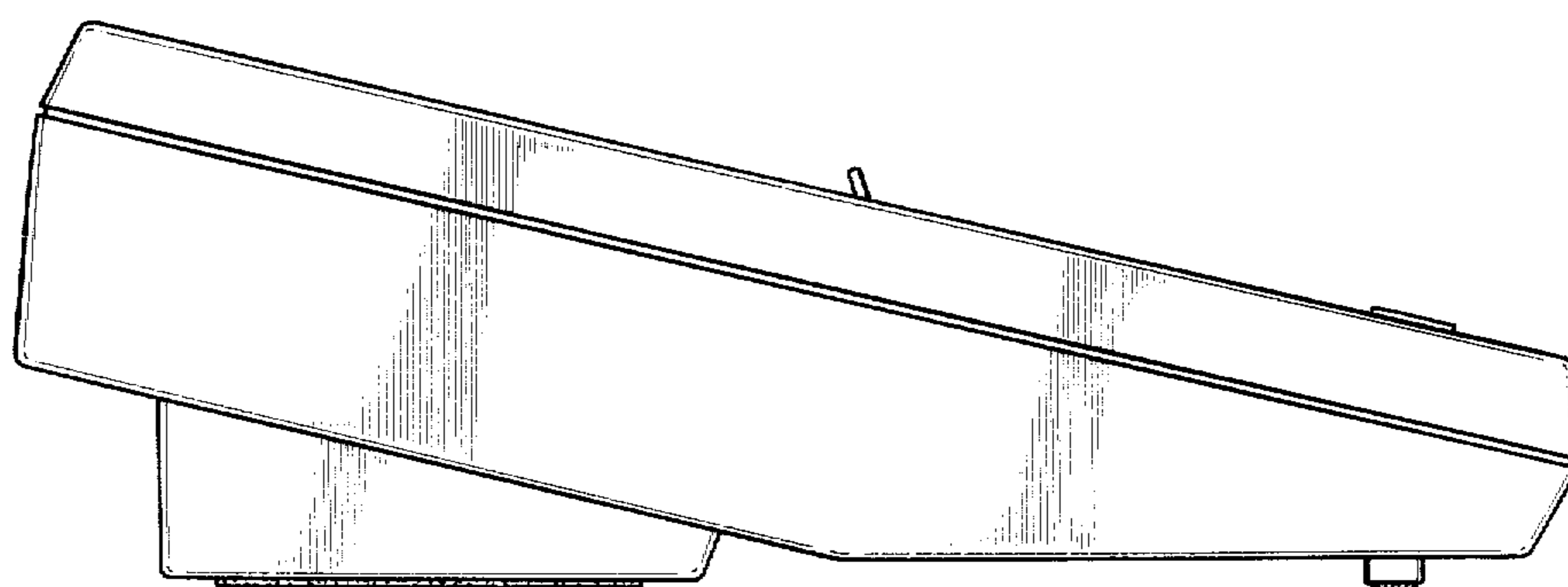


FIG. 6

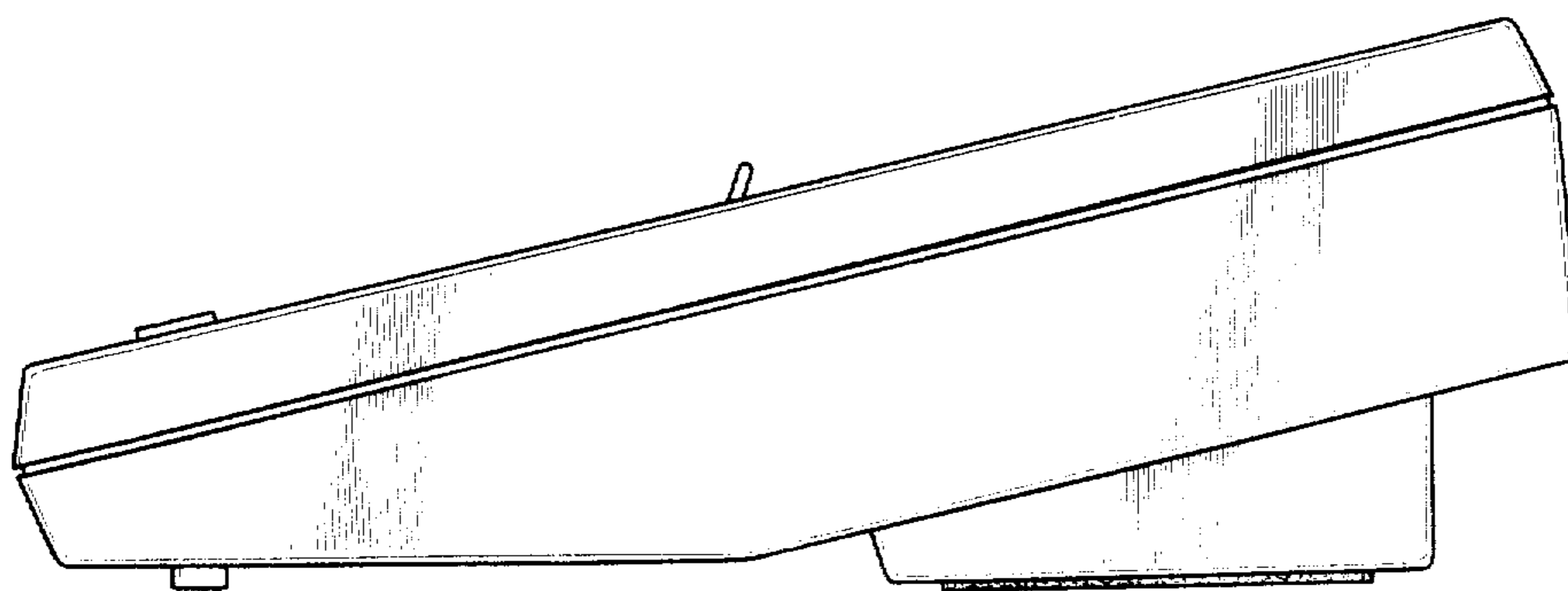


FIG. 7

