

[54] **PHOTOGRAPHIC CAMERA**

[75] Inventors: **Norbert Schlagheck; Herbert Schultes**, both of Fuerstenfeldbruck; **Karlheinz Rubner**, Munich, all of Fed. Rep. of Germany

[73] Assignee: **AGFA-Gevaert AG**, Leverkusen, Fed. Rep. of Germany

[**] Term: **14 Years**

[21] Appl. No.: **102,322**

[22] Filed: **Dec. 10, 1979**

[30] **Foreign Application Priority Data**

Sep. 6, 1979 [DE] Fed. Rep. of Germany 5MR559G163791

[51] Int. Cl. **D16-01**

[52] U.S. Cl. **D16/1**

[58] Field of Search **D16/1-10;**
354/76, 202, 288

[56] **References Cited**

U.S. PATENT DOCUMENTS

D. 182,079	2/1958	Macomber	D16/10
2,495,223	1/1950	Bodlander	354/288
2,679,196	5/1954	Sochor et al.	354/202
3,165,991	1/1965	Yosida	354/76

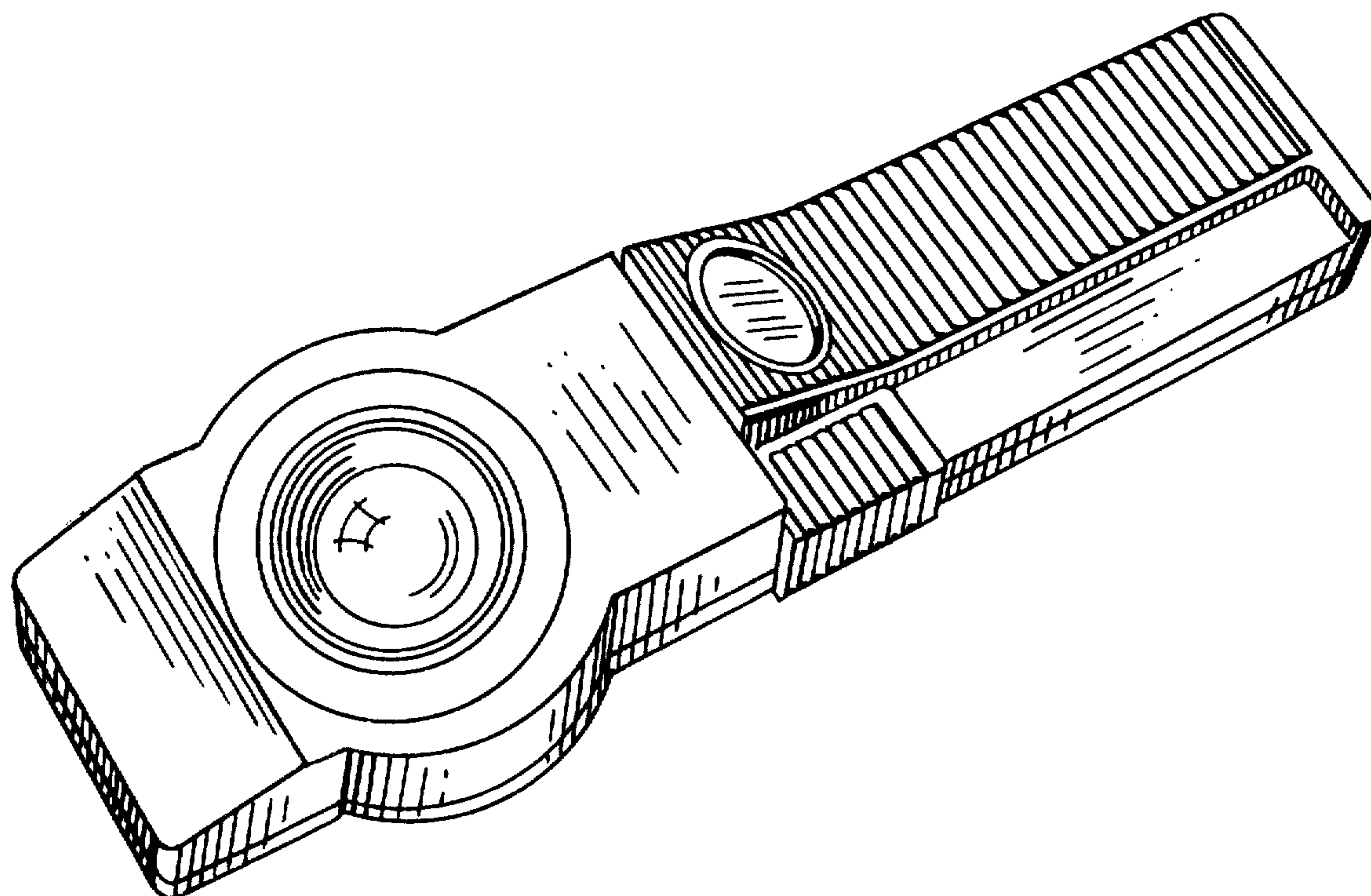
Primary Examiner—Peter M. Caun
Attorney, Agent, or Firm—Michael J. Striker

[57] **CLAIM**

The ornamental design for a photographic camera, substantially as shown and described.

DESCRIPTION

FIG. 1 is a perspective front view of a photographic camera embodying our novel design; FIG. 2 is a front view thereof; FIG. 3 is a rear view thereof; FIG. 4 is a top-plan view thereof; FIG. 5 is a bottom-plan view thereof; FIG. 6 is a left-side view thereof.



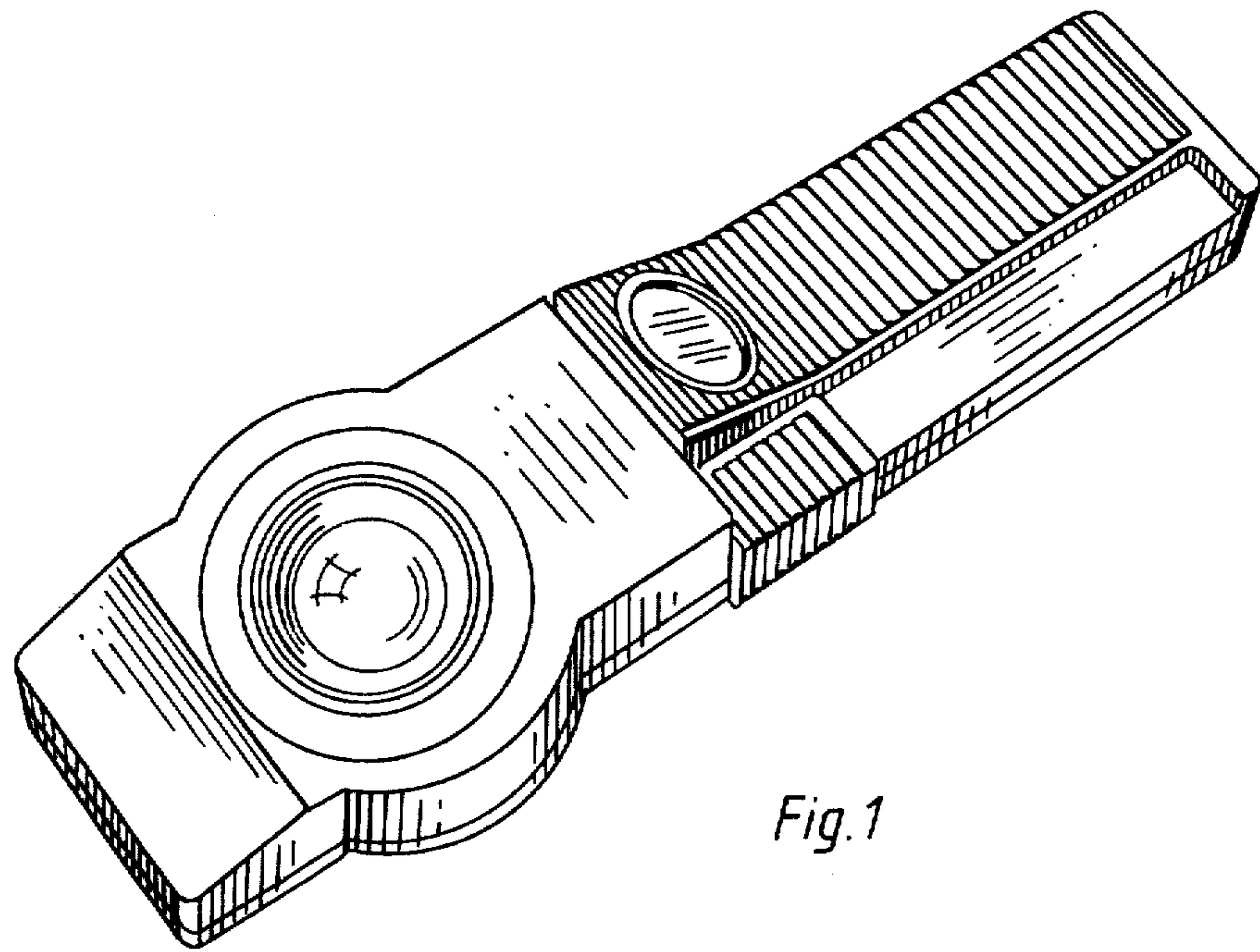


Fig. 1

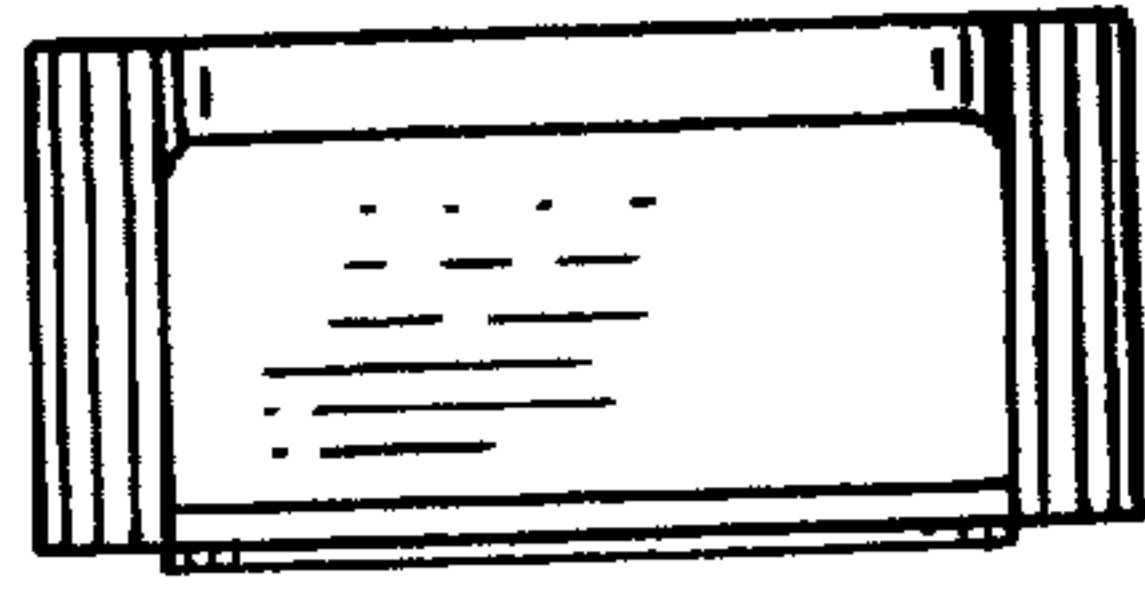


Fig. 4

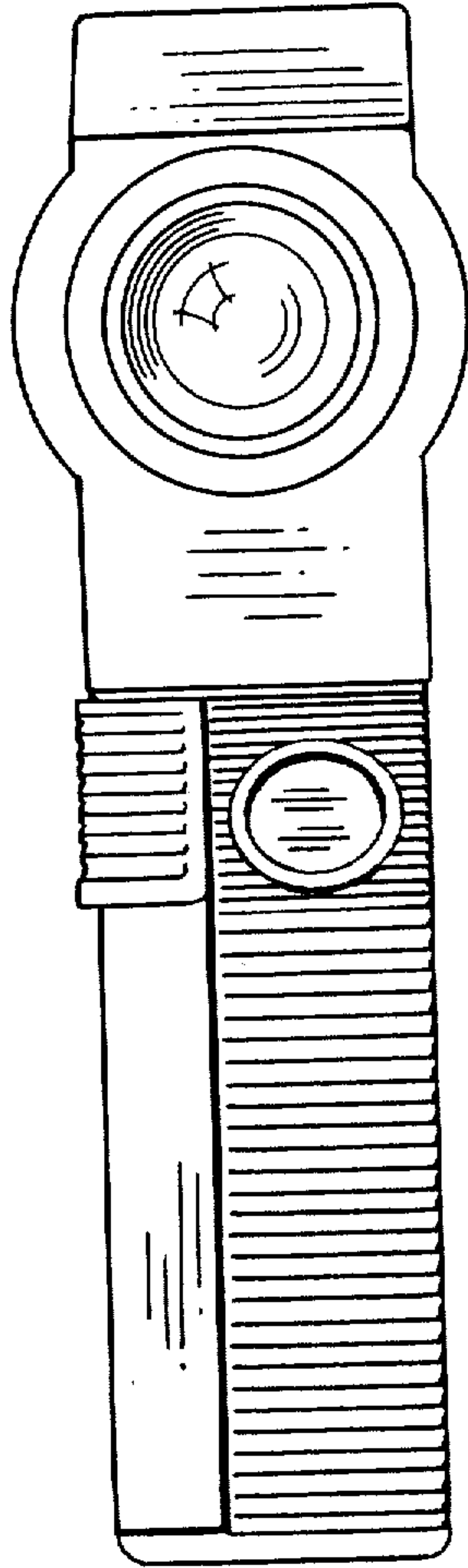


Fig. 2

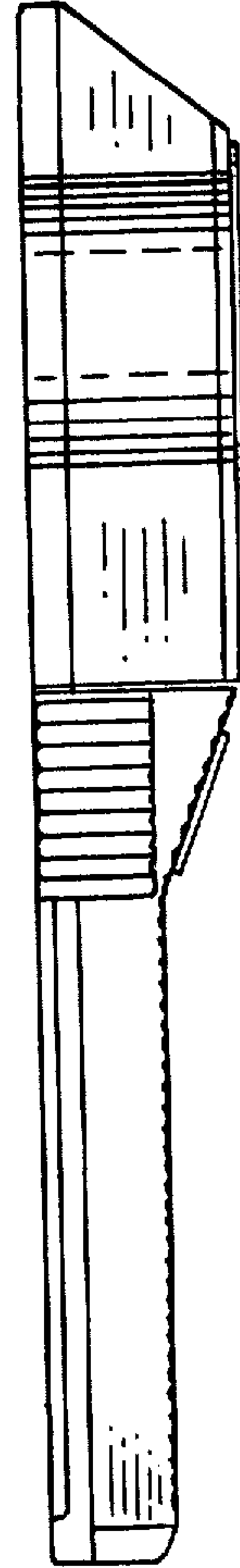


Fig. 6

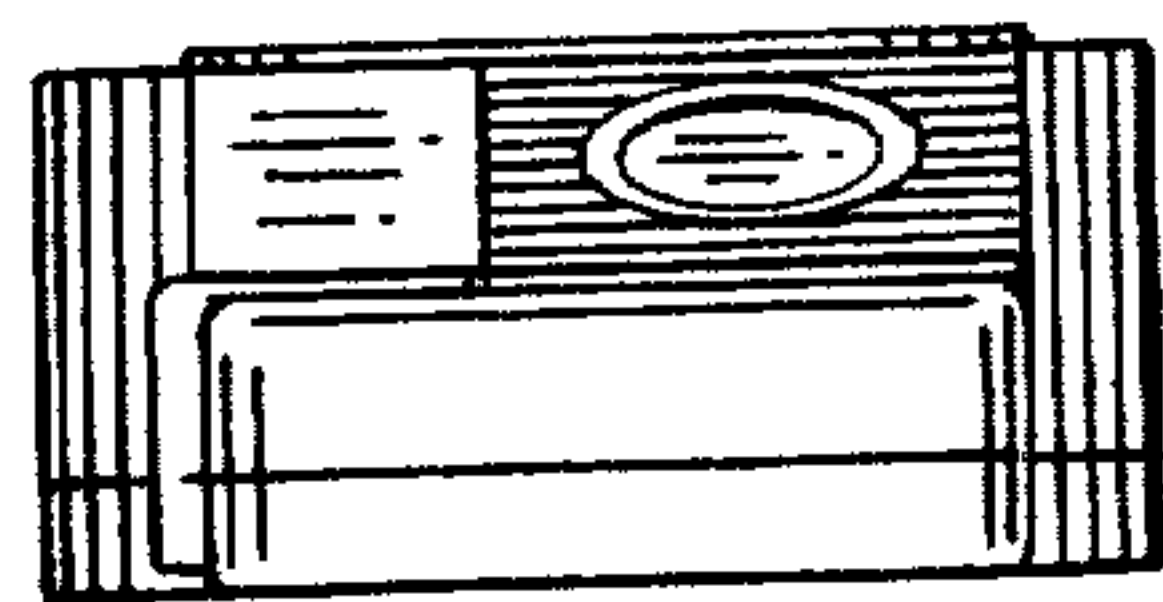


Fig. 5

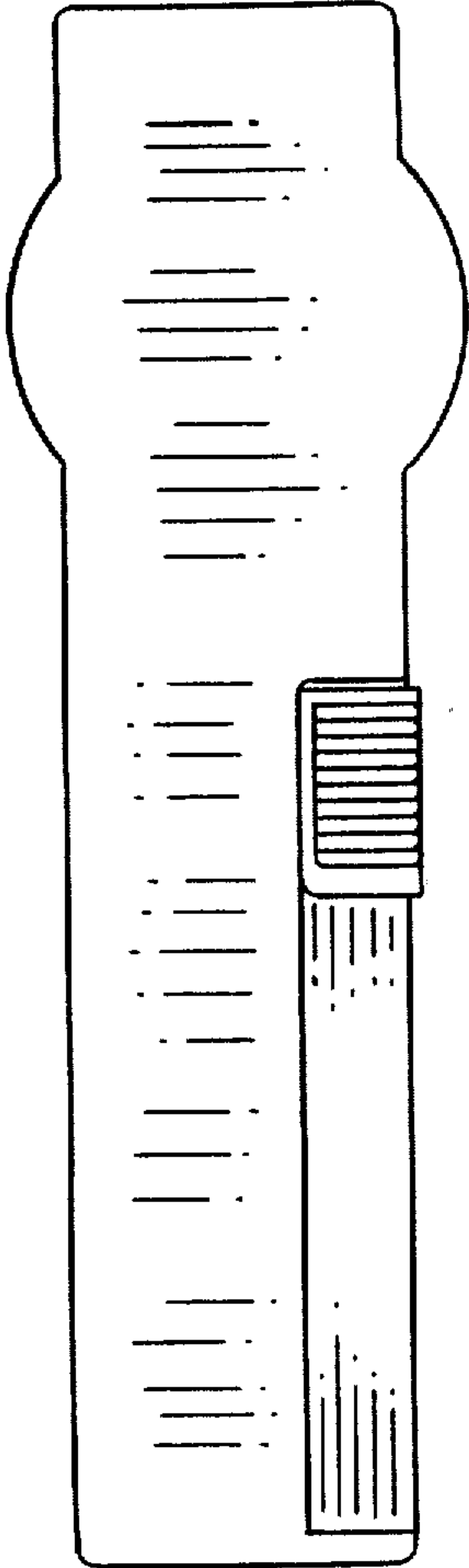


Fig.3