

[54] APPARATUS FOR CLEANING DRILLING MUD AND FLUIDS

3,899,414 8/1975 Hansen 209/17
3,989,628 11/1976 Bier 209/17
4,152,253 5/1979 Summers 209/17

[76] Inventor: Don D. Summers, P.O. Box 30106, Lafayette, La. 70503

Primary Examiner—Peter M. Caun

[**] Term: 14 Years

[57] CLAIM

[21] Appl. No.: 119,092

The ornamental design for an apparatus for cleaning drilling mud and fluids, as shown and described.

[22] Filed: Feb. 6, 1980

DESCRIPTION

[51] Int. Cl. D15-09

FIG. 1 is a front elevational view of an apparatus for cleaning drilling mud and fluids embodying my design having one hydrocyclone;

[52] U.S. Cl. D15/199

FIG. 2 is a top view of the device embodying my design depicted in FIG. 1;

[58] Field of Search D15/199; 209/17, 387

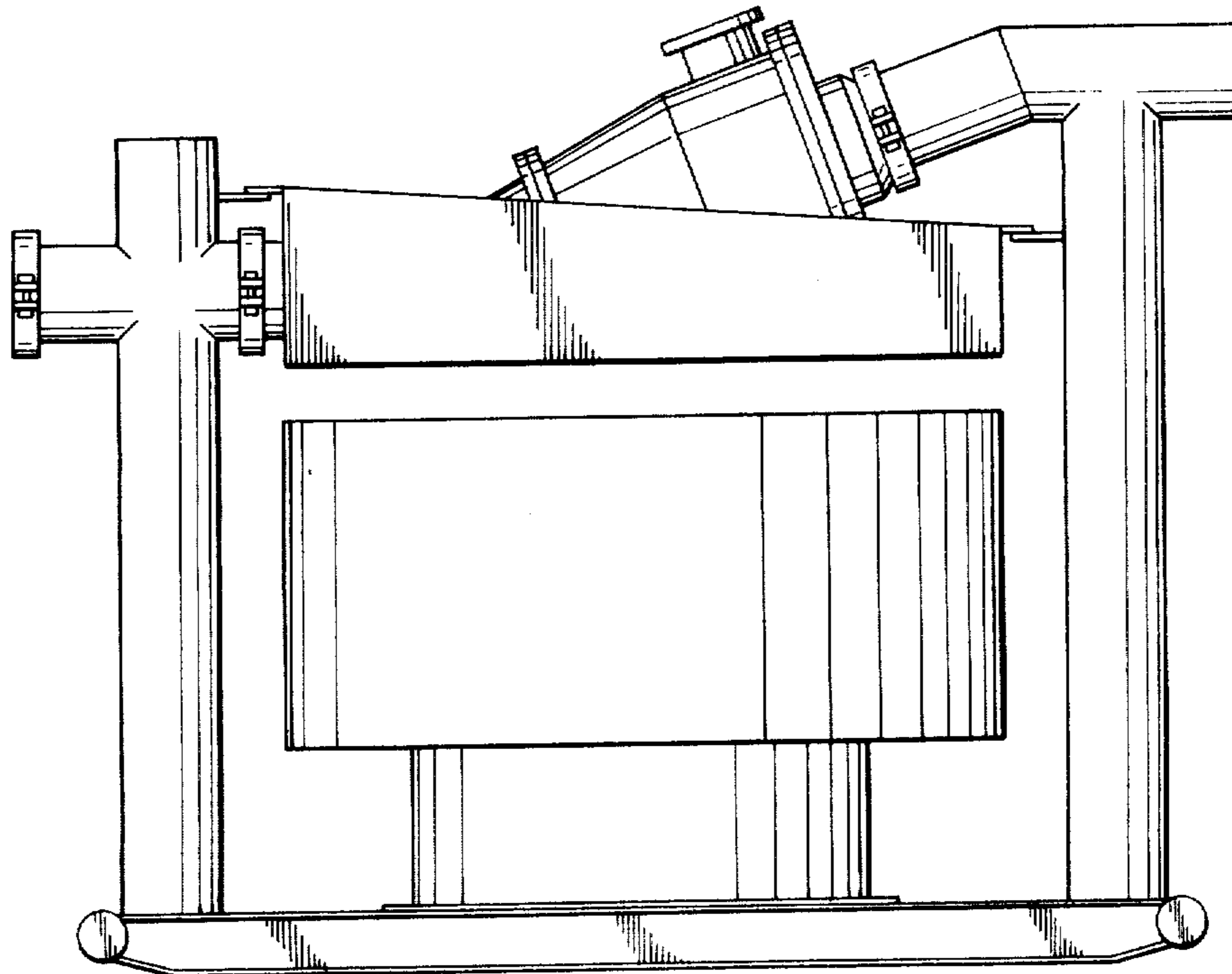
FIG. 3 is a front elevational view of a device embodying my design having multiple hydrocyclones; and

[56] References Cited

U.S. PATENT DOCUMENTS

1,691,572 11/1928 Hoskins 209/387
2,337,446 12/1943 Bush 209/17
2,588,592 3/1952 Trundle 209/17

FIG. 4 is a top view of the device embodying my design depicted in FIG. 3.



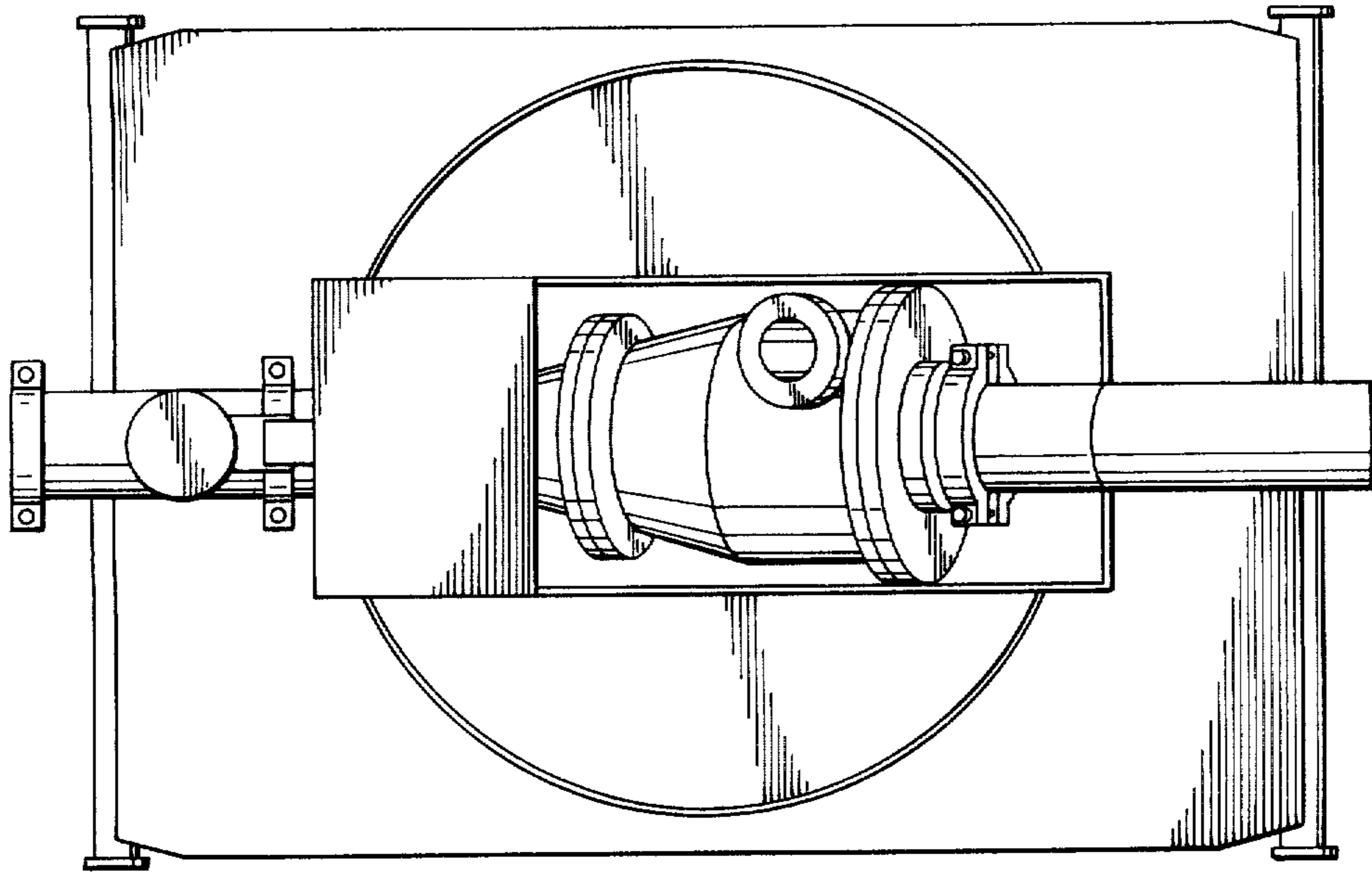


fig. 2

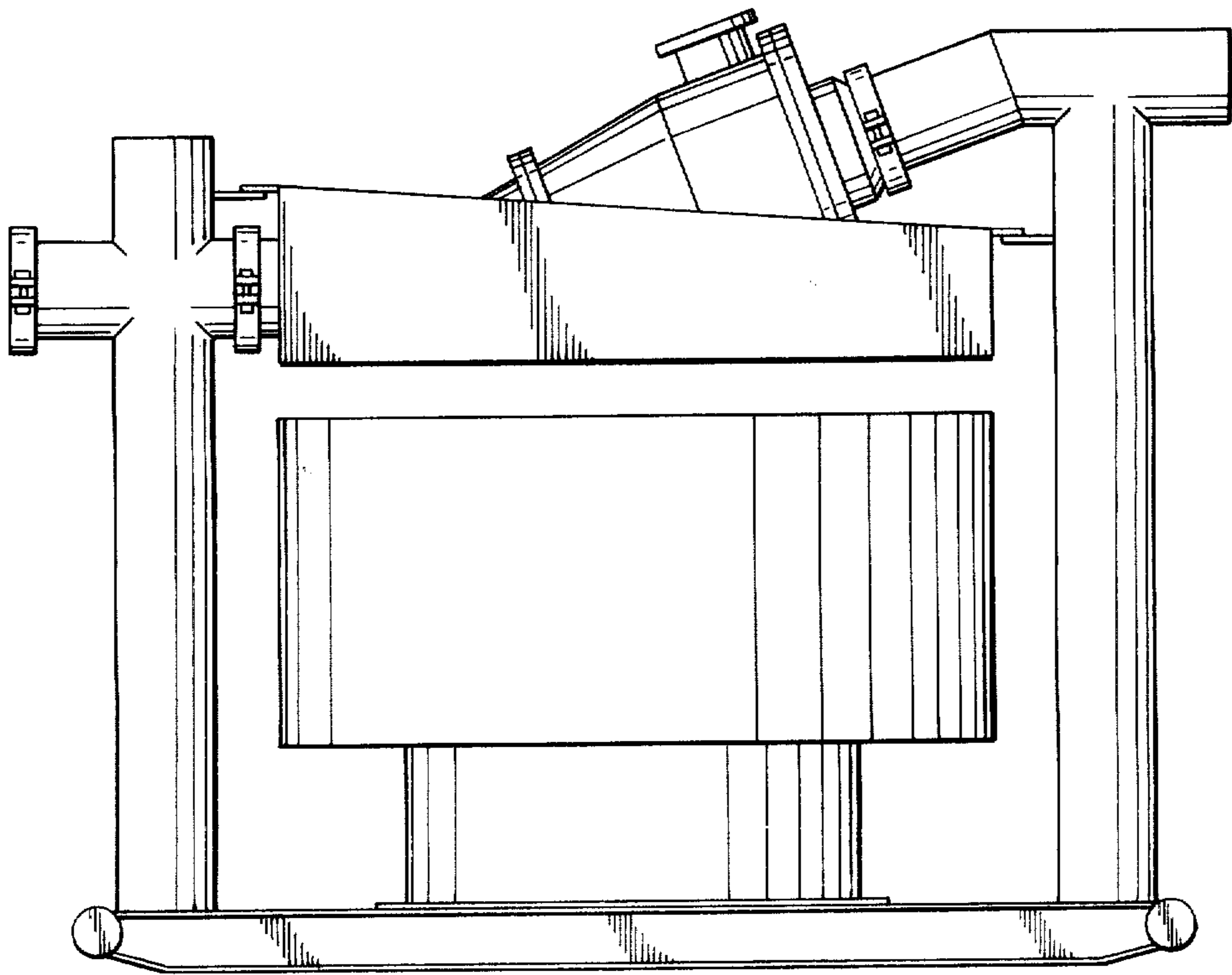


fig. 1

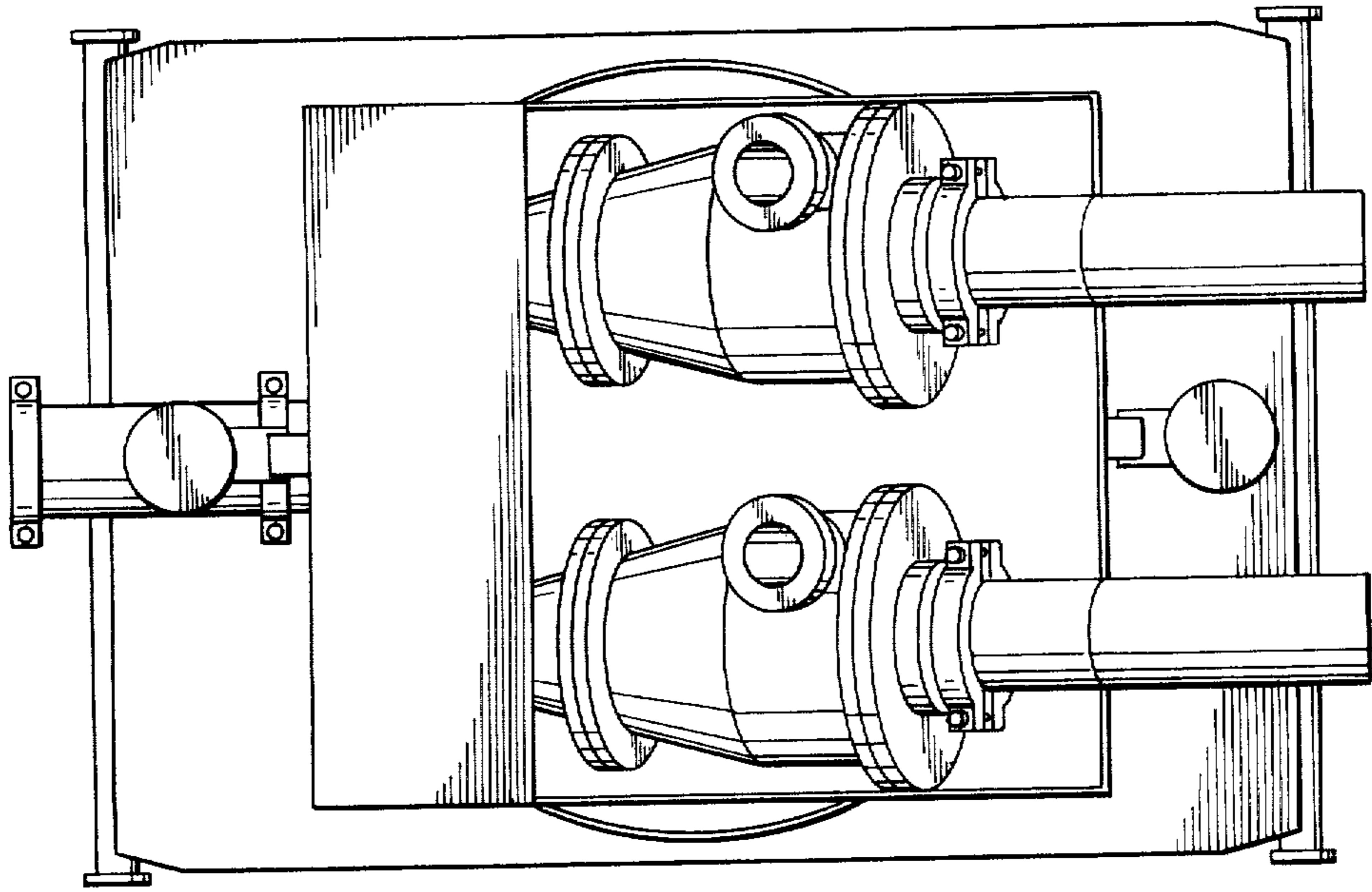


fig. 4

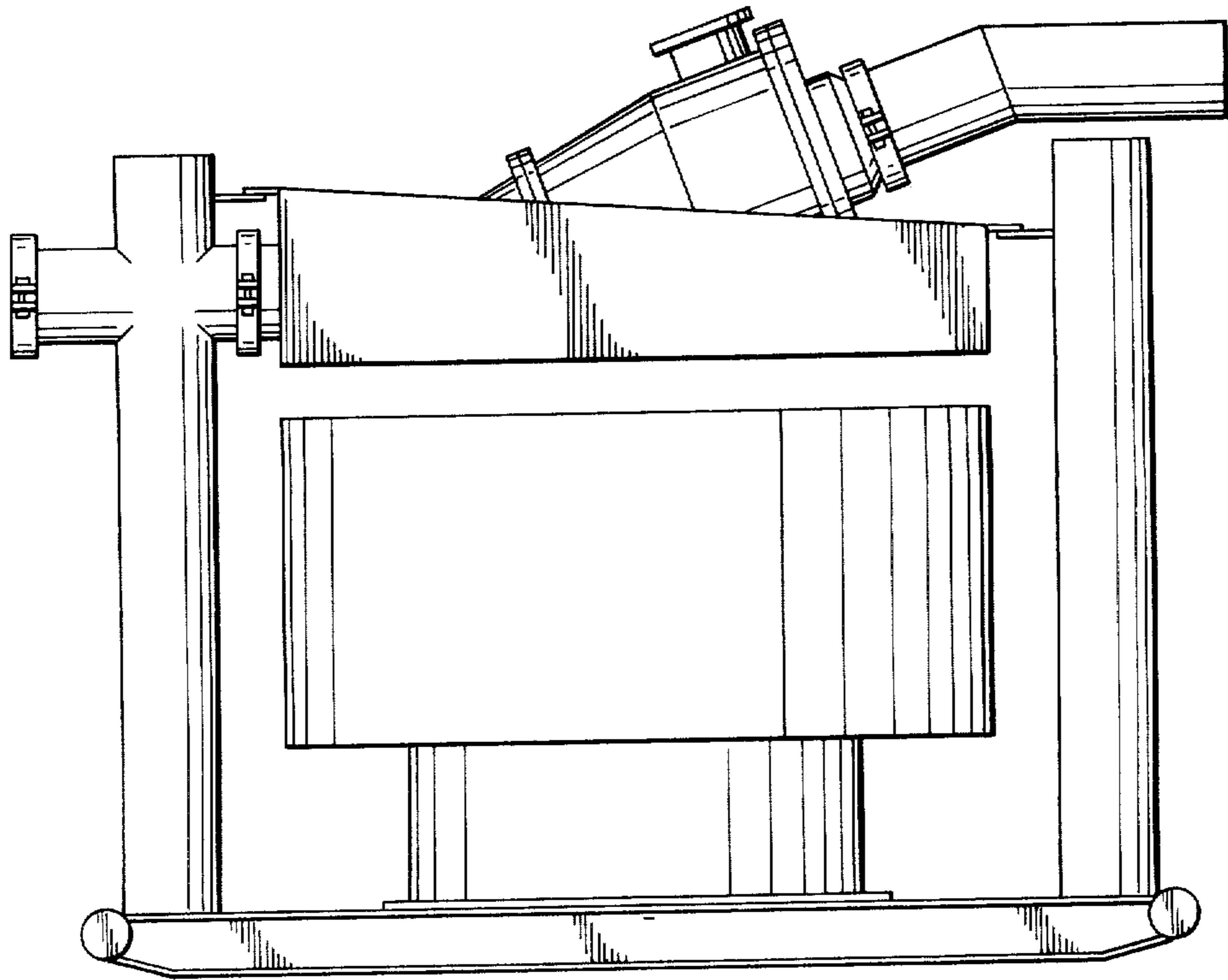


fig. 3