

[54] SEWING MACHINE CONTROLLER

[75] Inventor: Susumu Hanyu, Hachioji, Japan
[73] Assignee: Janome Sewing Machine Co. Ltd., Tokyo, Japan
[**] Term: 14 Years
[21] Appl. No.: 90,484
[22] Filed: Nov. 1, 1979

[30] Foreign Application Priority Data
Sep. 7, 1979 [JP] Japan 54-37475

[51] Int. Cl. D15-99
[52] U.S. Cl. D15/72; D17/20
[58] Field of Search D15/66, 67, 78, 72; 112/270; D17/20; 84/72, 225, 226, 227, 228, 229, 230, 231, 232, 353, 357, 426; 74/512, 560, 561, 98

[56] References Cited
U.S. PATENT DOCUMENTS
3,667,316 6/1972 Valletti et al. 74/560

OTHER PUBLICATIONS

Grossman Musical Instrument & Publications Catalog, 1968; p. 460; "Tremolo Foot Switch", Model TFS-100; bottom right of page.
J. C. Penney Fall and Winter 1976; p. 321, Item #4, "Foot Control, 3 Way Plug"; center of page, second column top item.
Primary Examiner—Joel Stearman
Assistant Examiner—Carmen H. Vales
Attorney, Agent, or Firm—Michael J. Striker

[57] CLAIM
The ornamental design for a sewing machine controller, substantially as shown.

DESCRIPTION

FIG. 1 is a front elevational view of a sewing machine controller showing my design; FIG. 2 is a rear elevational view thereof; FIG. 3 is a right side view thereof; FIG. 4 is a left side view thereof; FIG. 5 is a top plan view thereof; and FIG. 6 is a bottom plan view thereof.

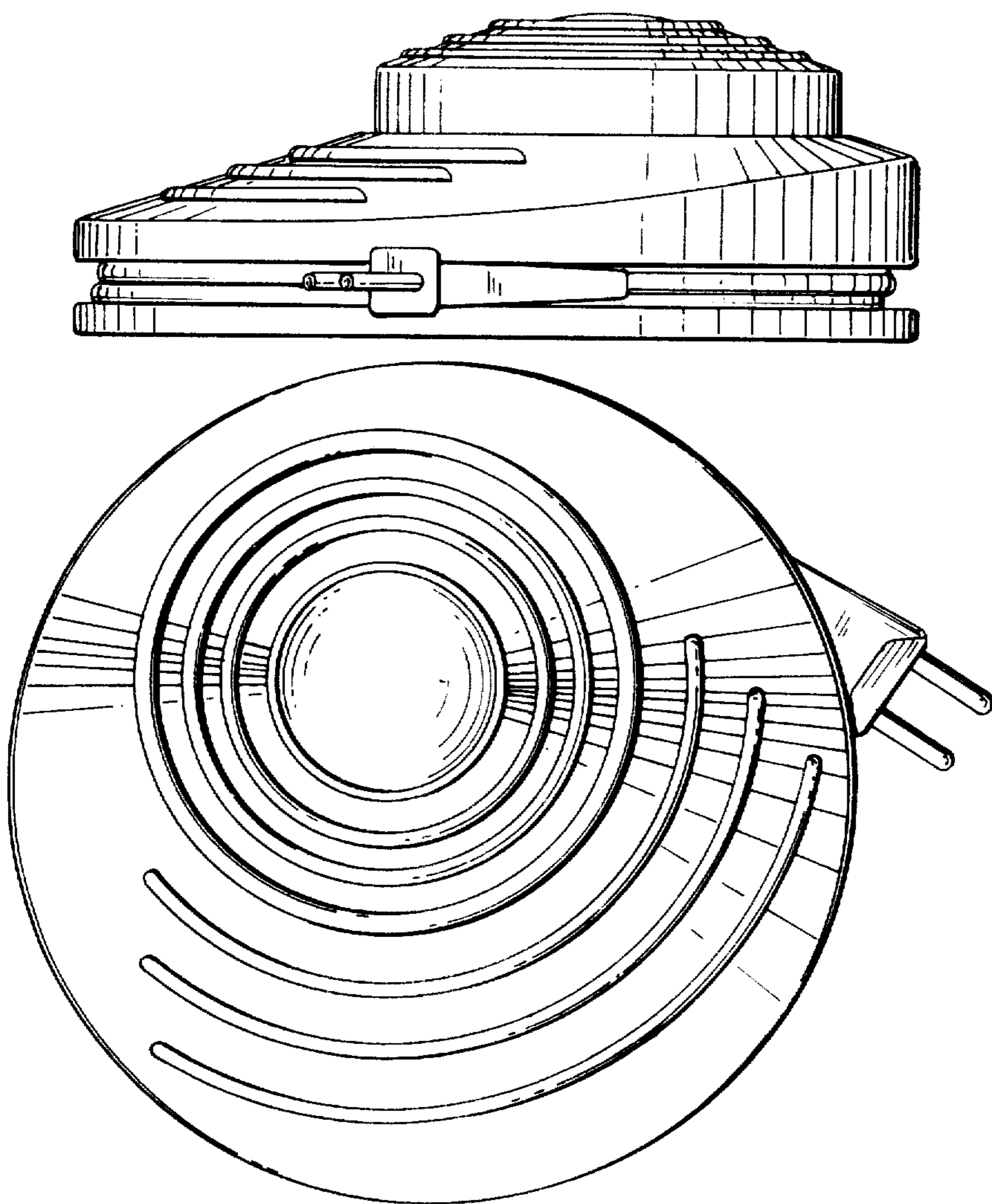


Fig. 1

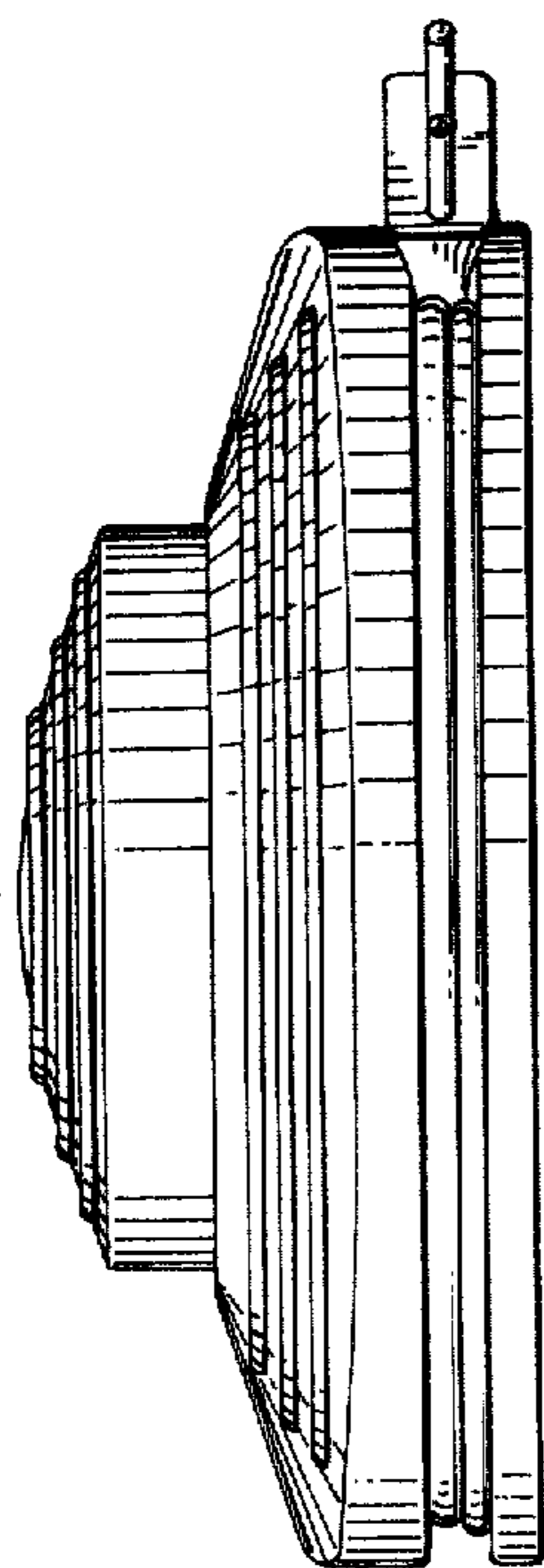


Fig. 2

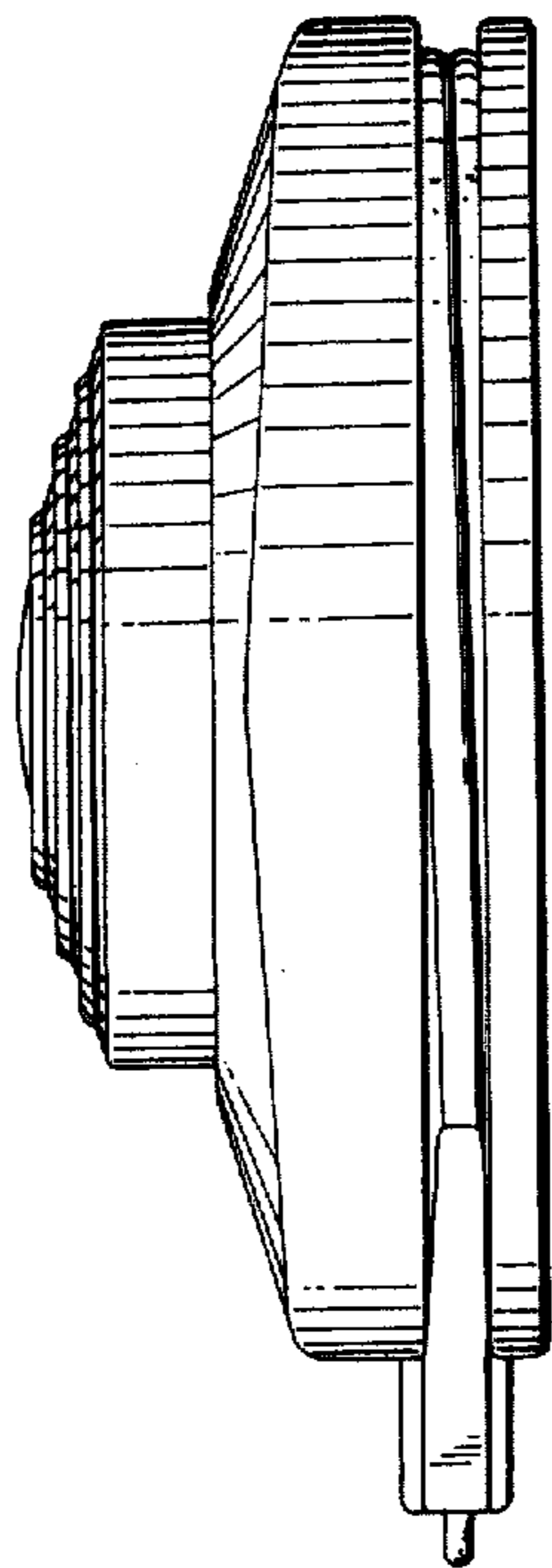


Fig. 3

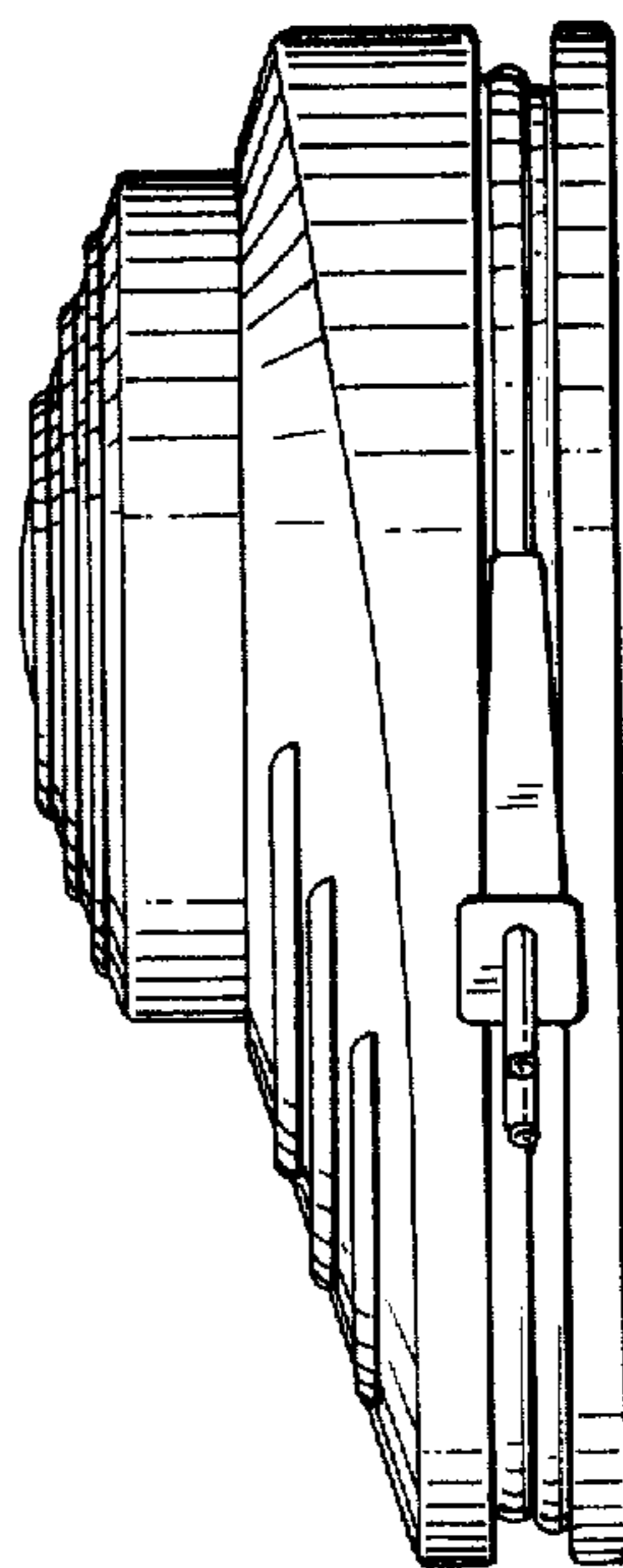


Fig. 4

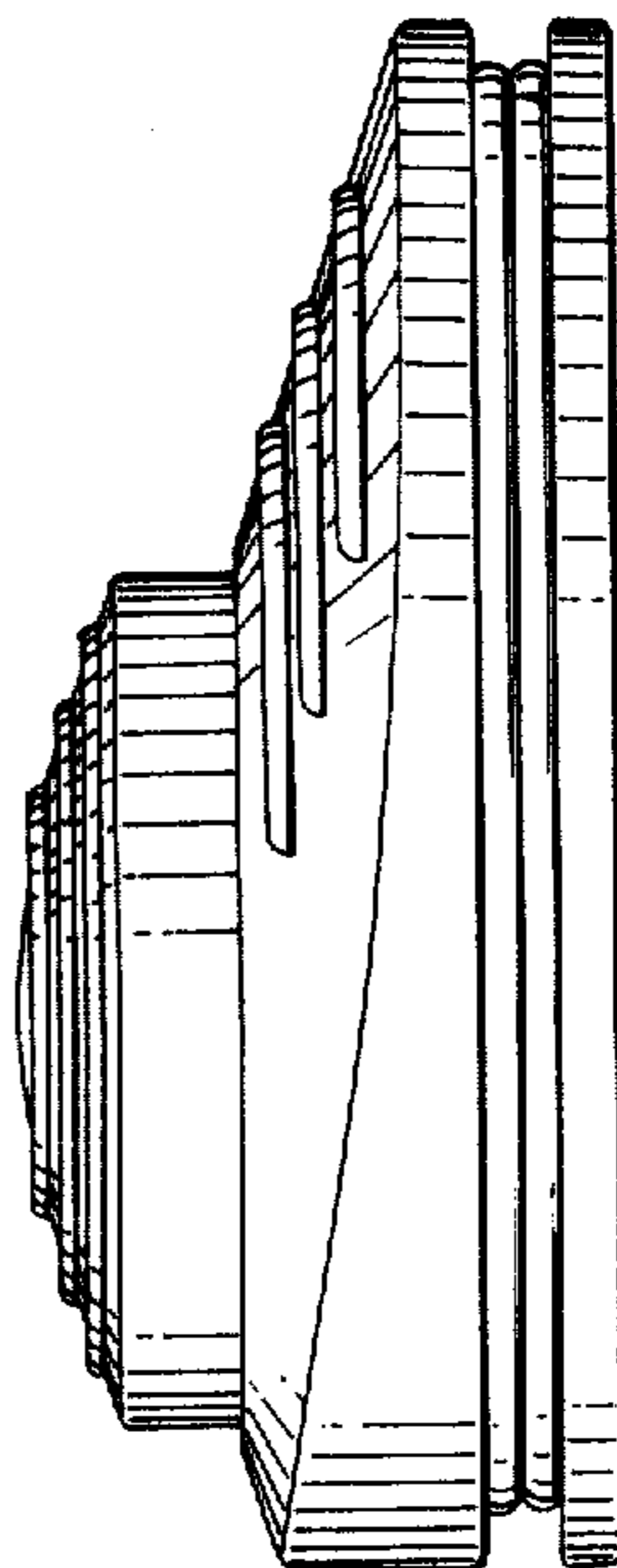


Fig. 6

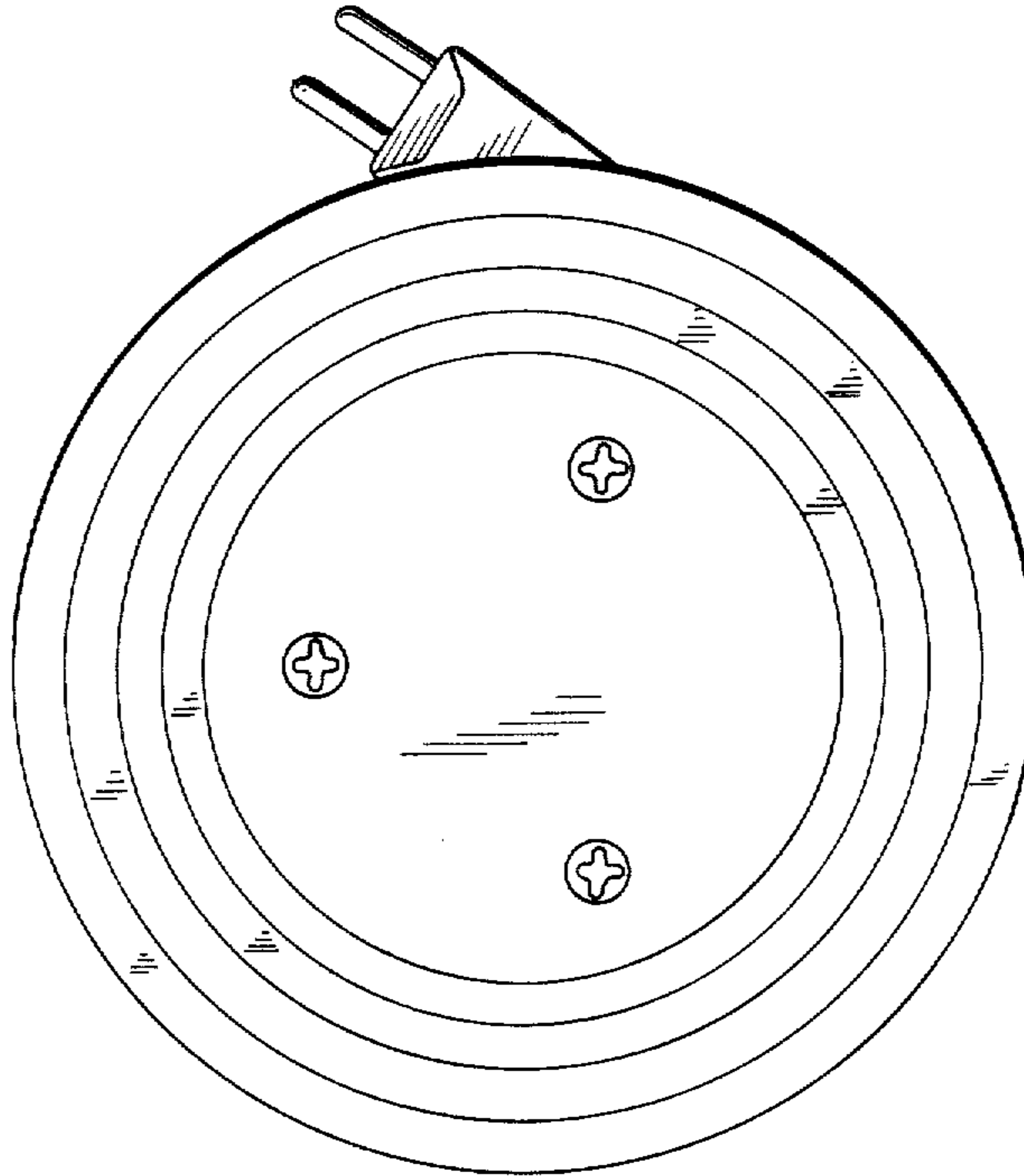


Fig. 5

