

[54] FLUID PUMP

[75] Inventors: John R. McMillin, Maplewood, Minn.; Gene A. Tracy, Amery, Wis.

[73] Assignees: The Coca-Cola Company, Atlanta, Ga.; The Cornelius Company, Anoka, Minn.

[**] Term: 14 Years

[21] Appl. No.: 117,339

[22] Filed: Jan. 31, 1980

[51] Int. Cl. D15-02
[52] U.S. Cl. D15/7
[58] Field of Search D15/7-9; 417/393, 395

[56]

References Cited

U.S. PATENT DOCUMENTS

D. 173,065 9/1954 Darr D15/7
D. 244,681 6/1977 Bell D15/7
3,056,353 10/1962 Peters 417/393

Primary Examiner—James R. Largen
Attorney, Agent, or Firm—Henry C. Kovar

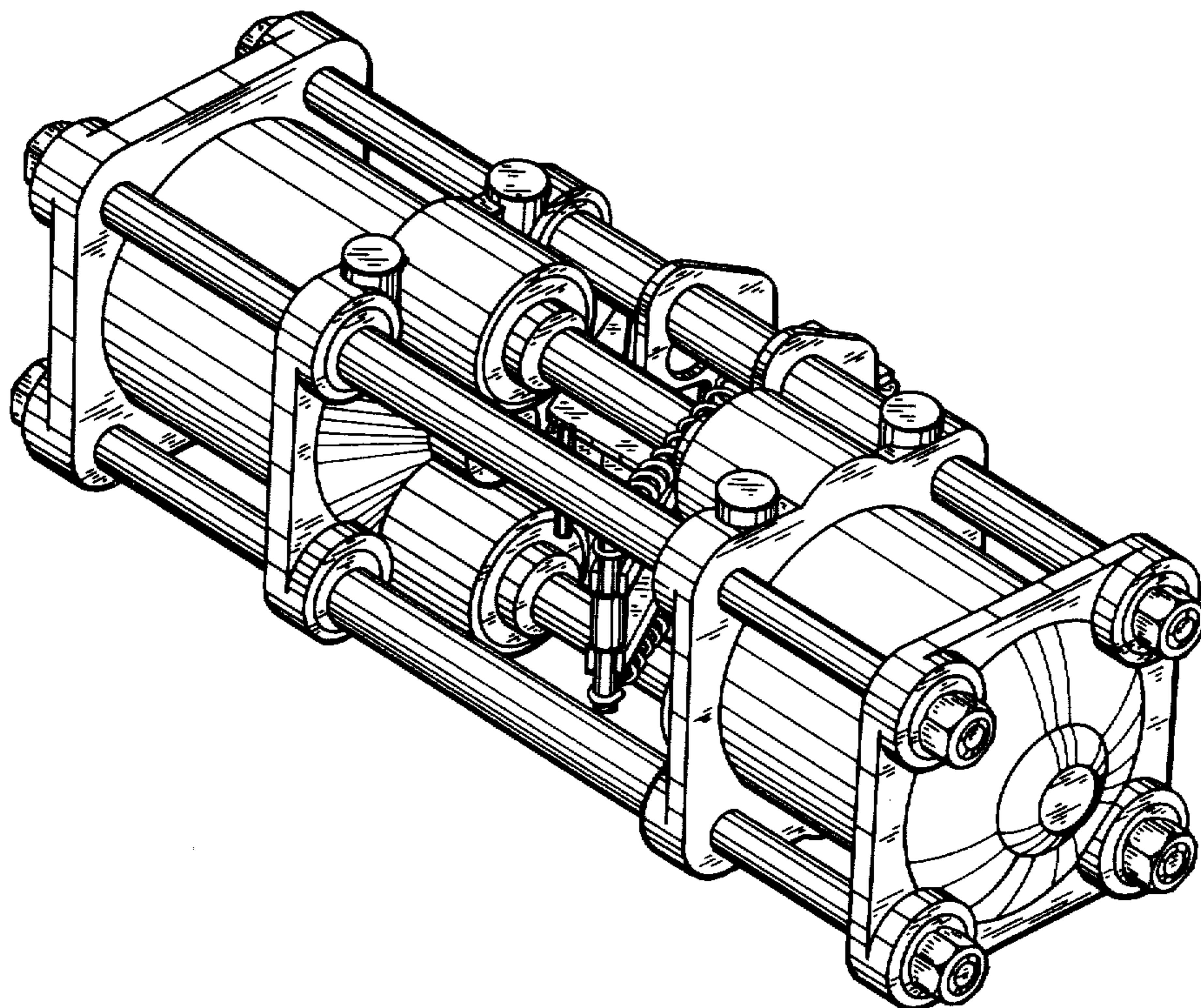
[57]

CLAIM

The ornamental design for a fluid pump, substantially as shown and described.

DESCRIPTION

FIG. 1 is a perspective view taken from the top, front and right end of a fluid pump, showing our new design; FIG. 2 is a perspective view taken from the top, rear and left end thereof; FIG. 3 is a rear elevational view thereof; FIG. 4 is a bottom plan view thereof; FIG. 5 is a front elevational view thereof; and FIG. 6 is a right end view thereof.



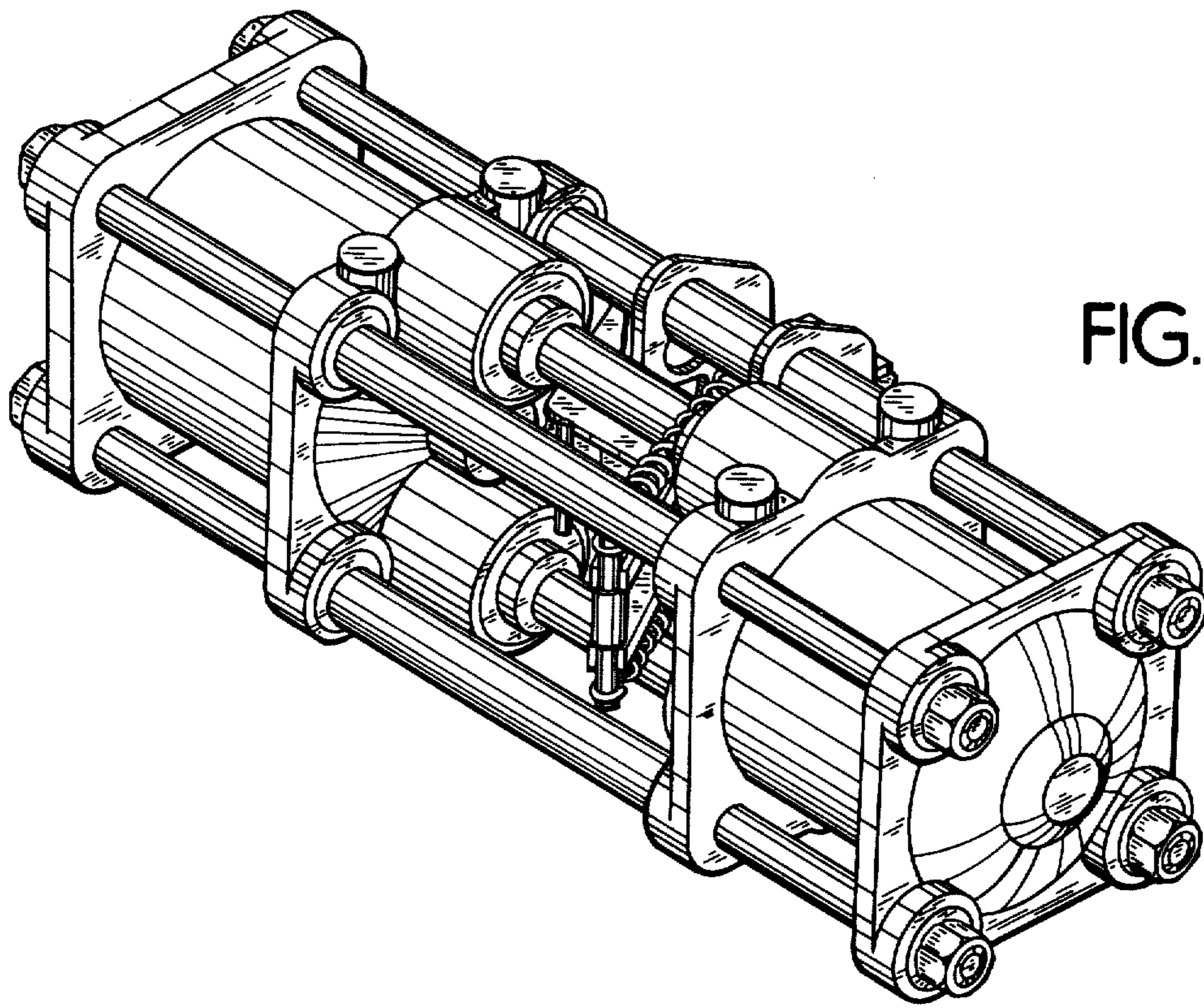


FIG. 1

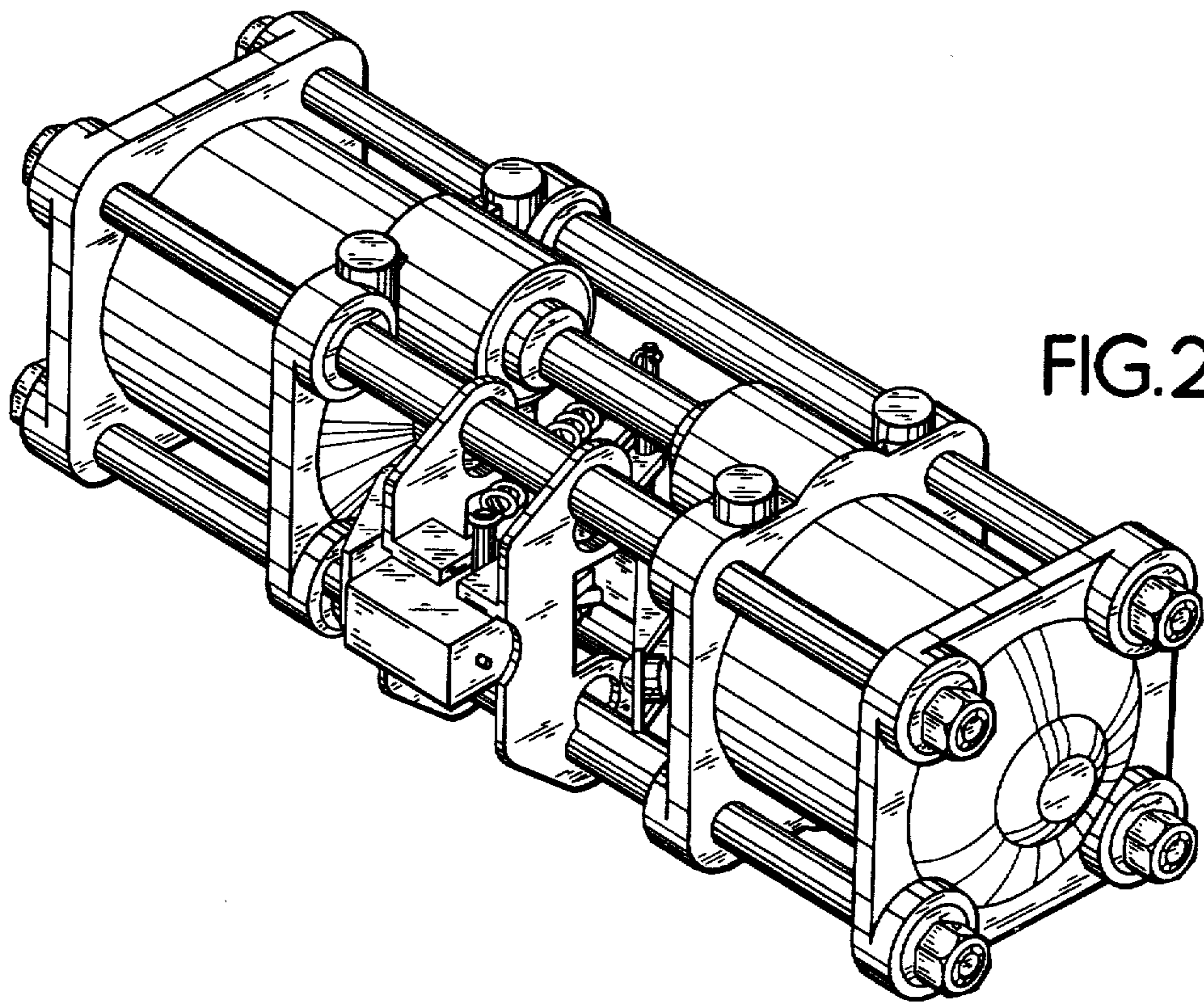


FIG. 2

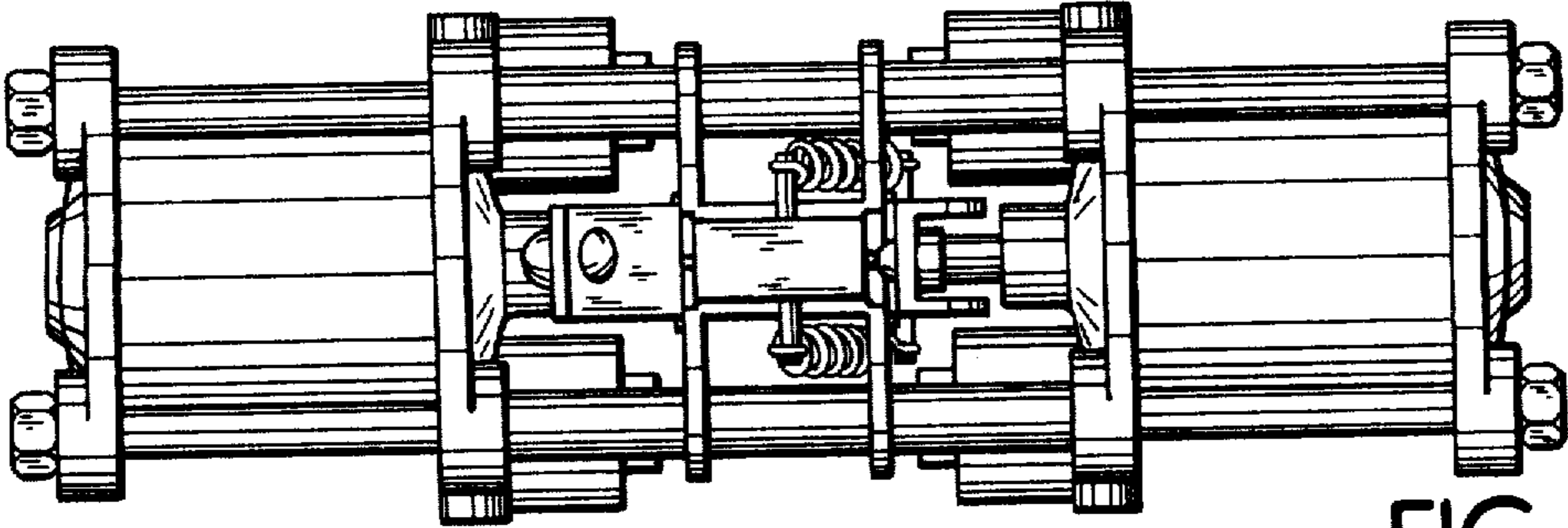


FIG. 3

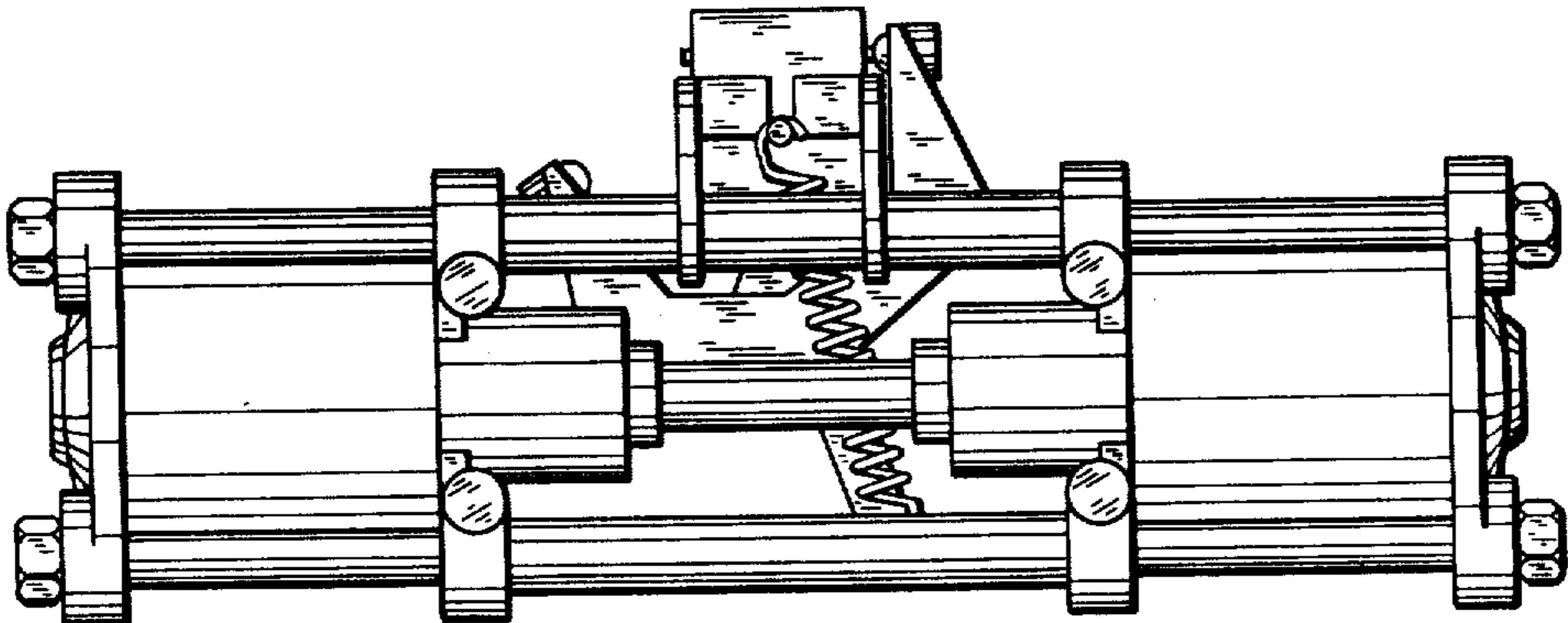


FIG. 4

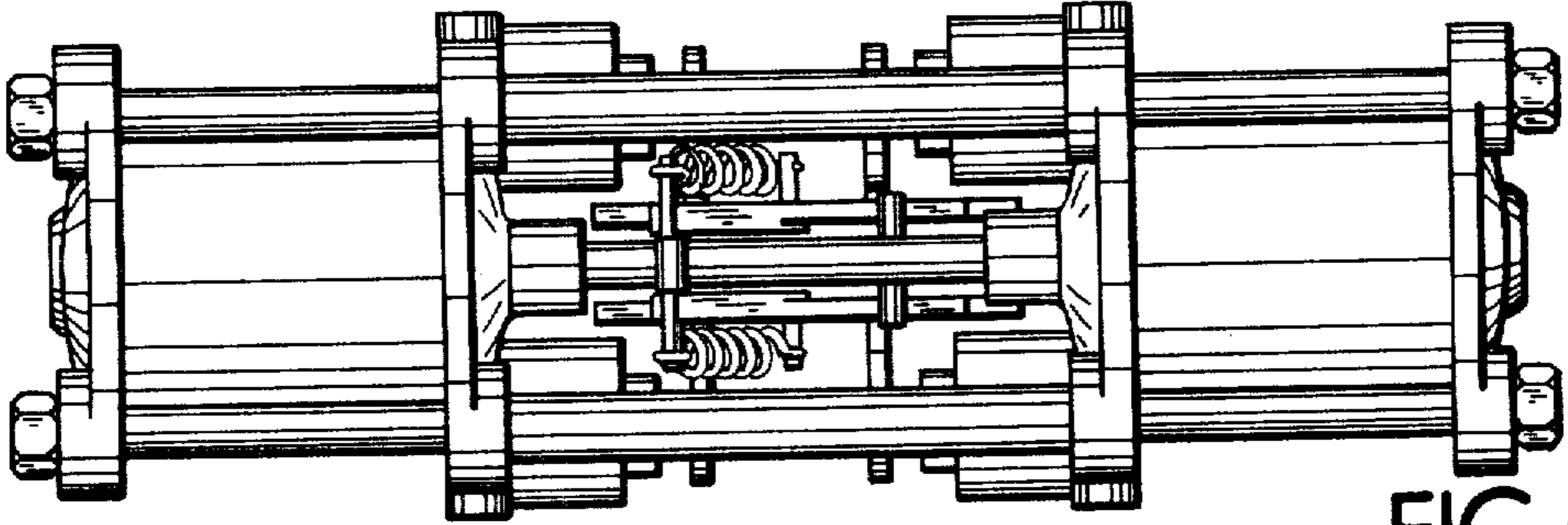


FIG. 5

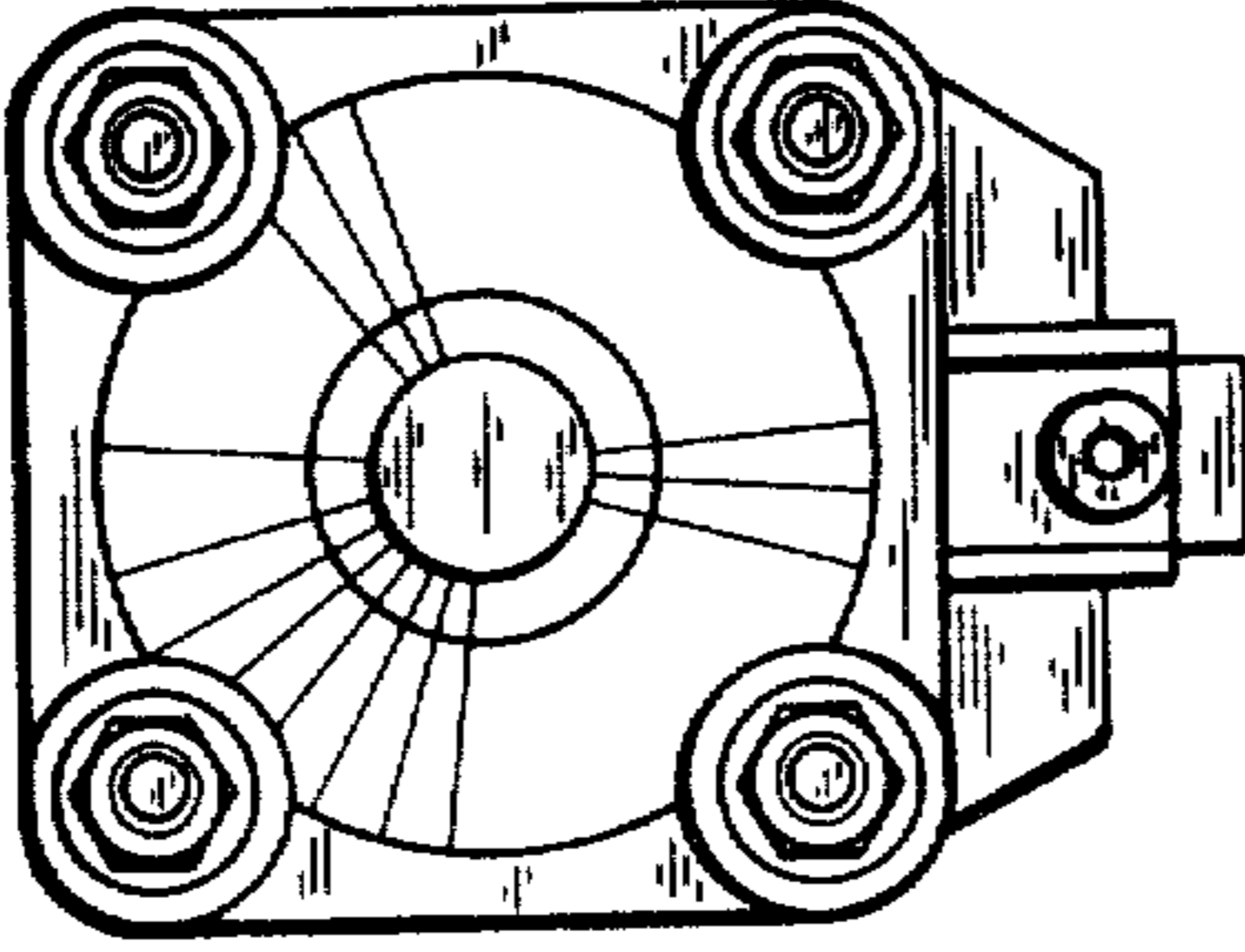


FIG. 6