

[54] MODULAR COMPUTER SYSTEM PRINTER

[75] Inventor: George E. Chadima, Jr., Cedar Rapids, Iowa

[73] Assignee: Norand Corporation, Cedar Rapids, Iowa

[**] Term: 14 Years

[21] Appl. No.: 91,184

[22] Filed: Nov. 5, 1979

[51] Int. Cl. D14-02

[52] U.S. Cl. D14/111

[58] Field of Search D18/4, 6, 7, 13, 22; 364/900

[56] References Cited

U.S. PATENT DOCUMENTS

- D. 230,156 1/1974 Pahl et al. D14/45
- D. 235,349 6/1975 Kurozumi D18/7

FOREIGN PATENT DOCUMENTS

2607868 9/1976 Fed. Rep. of Germany 364/708

OTHER PUBLICATIONS

Interface Age, 8-1977, p. 133, Thermal Printer.

Primary Examiner—Susan J. Lucas

Attorney, Agent, or Firm—Hill, Van Santen, Steadman, Chiara & Simpson

[57] CLAIM

The ornamental design for a modular computer system printer, substantially as shown and described.

DESCRIPTION

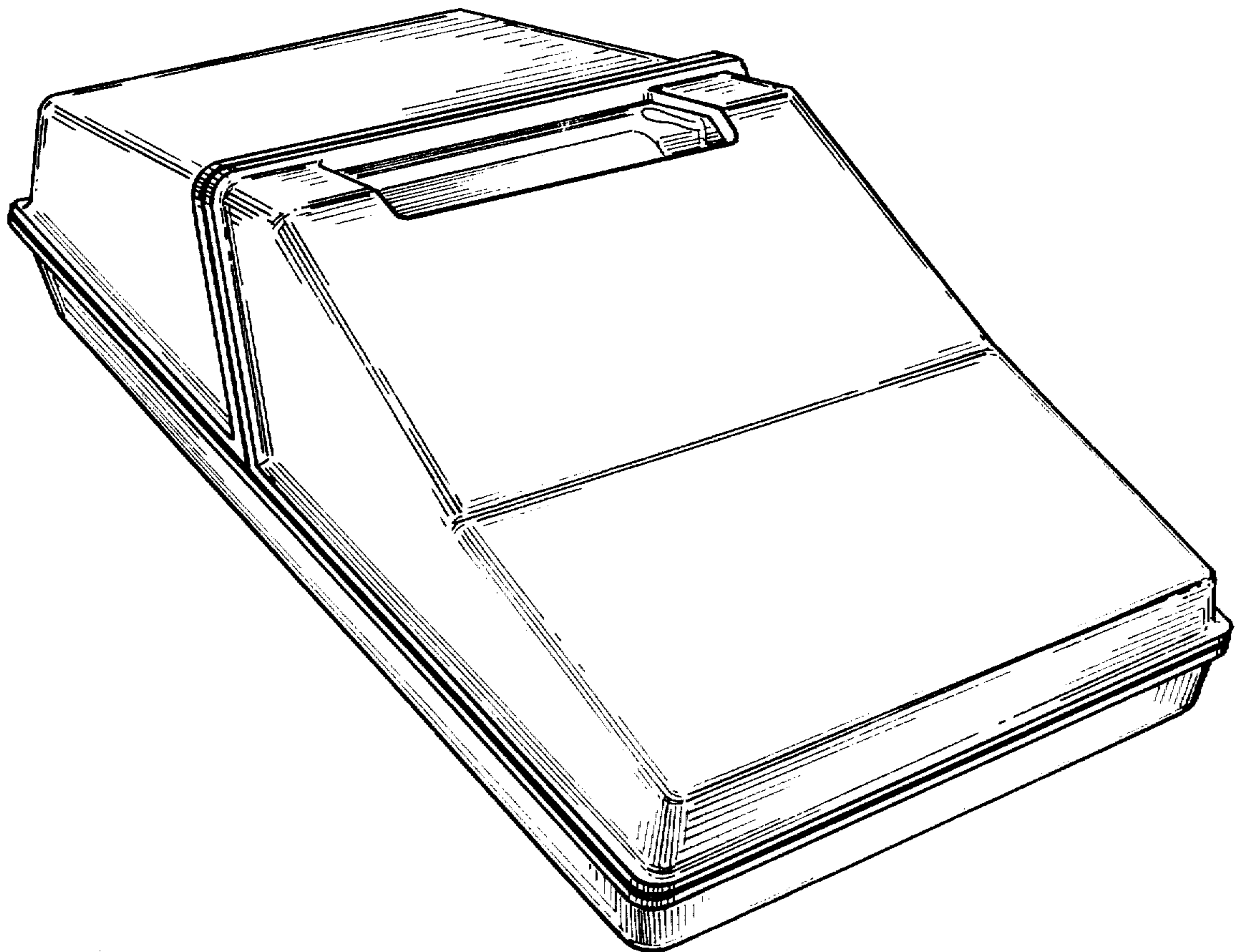
FIG. 1 is a top left perspective showing the top and left side view of my new design;

FIG. 2 is a top plan view thereof on an enlarged scale;

FIG. 3 is a right side elevational view thereof on an enlarged scale, the left side being identical;

FIG. 4 is a front elevational thereof on an enlarged scale;

FIG. 5 is a rear elevational view thereof on an enlarged scale.



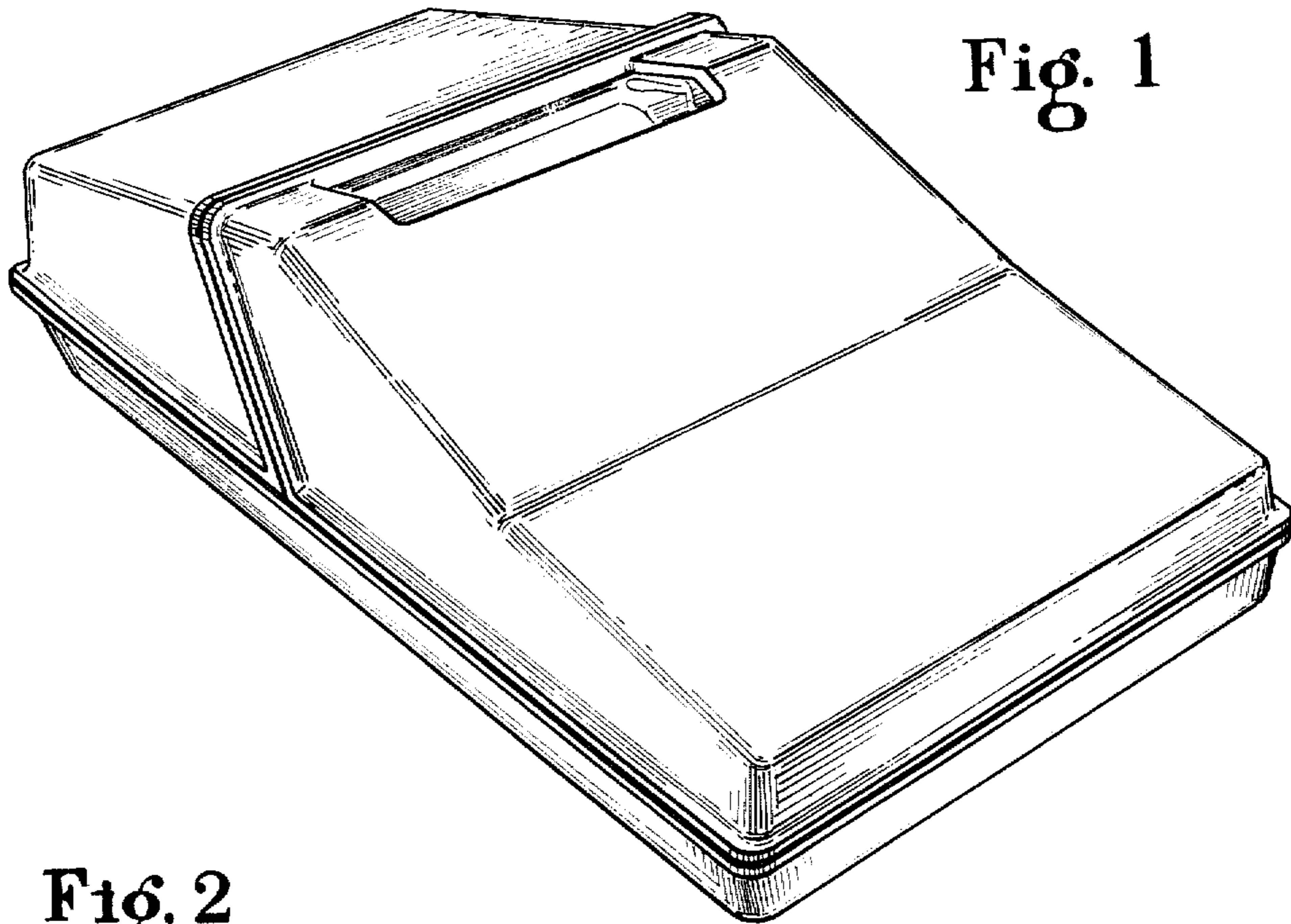


Fig. 1

Fig. 2

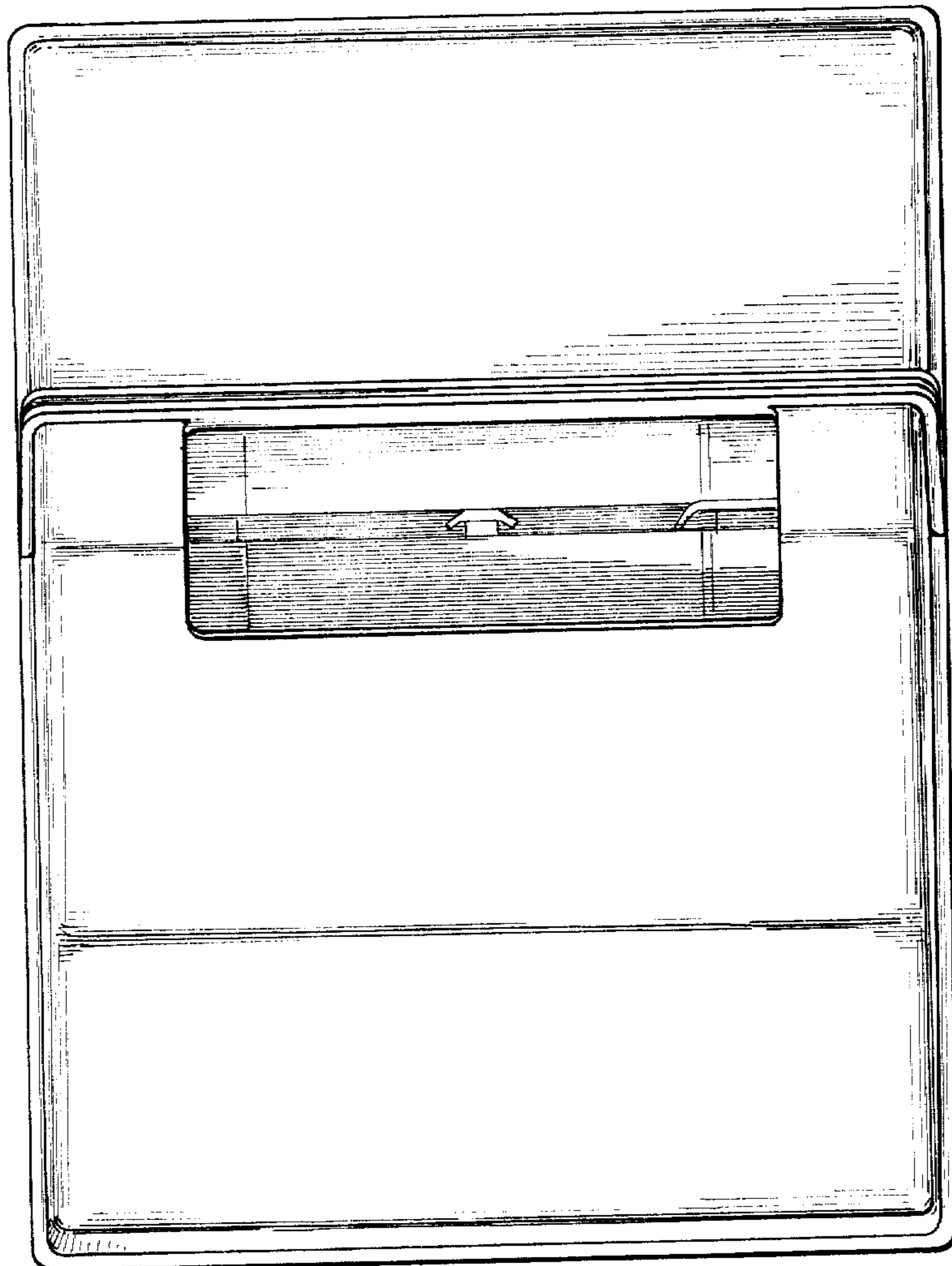


Fig. 3

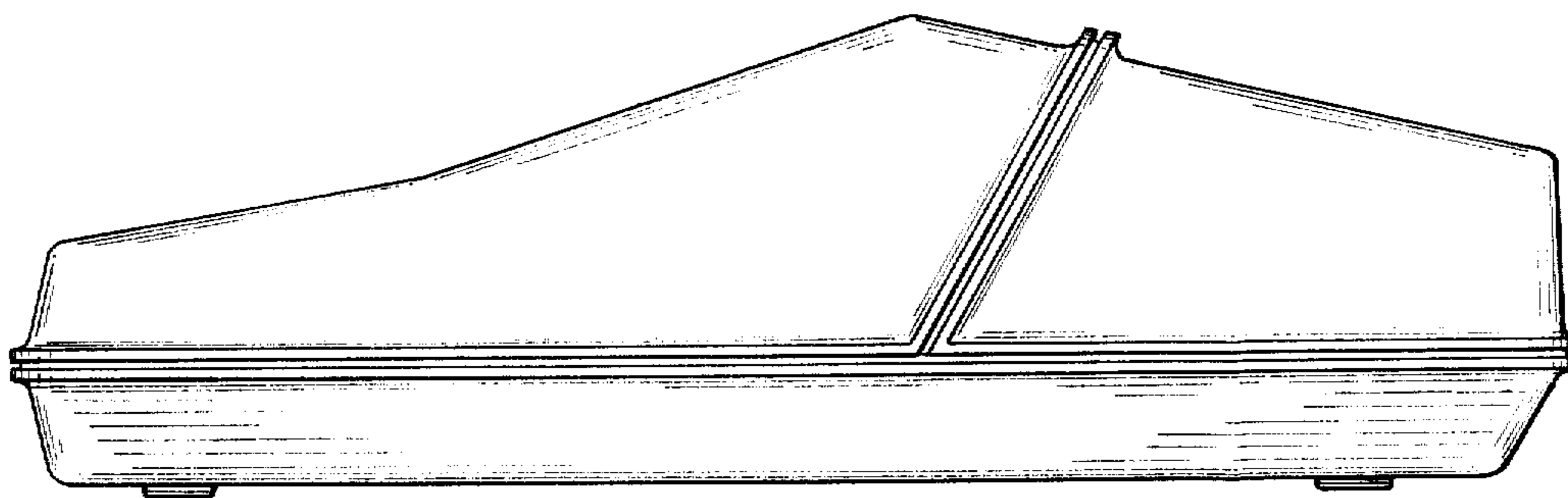


Fig. 4

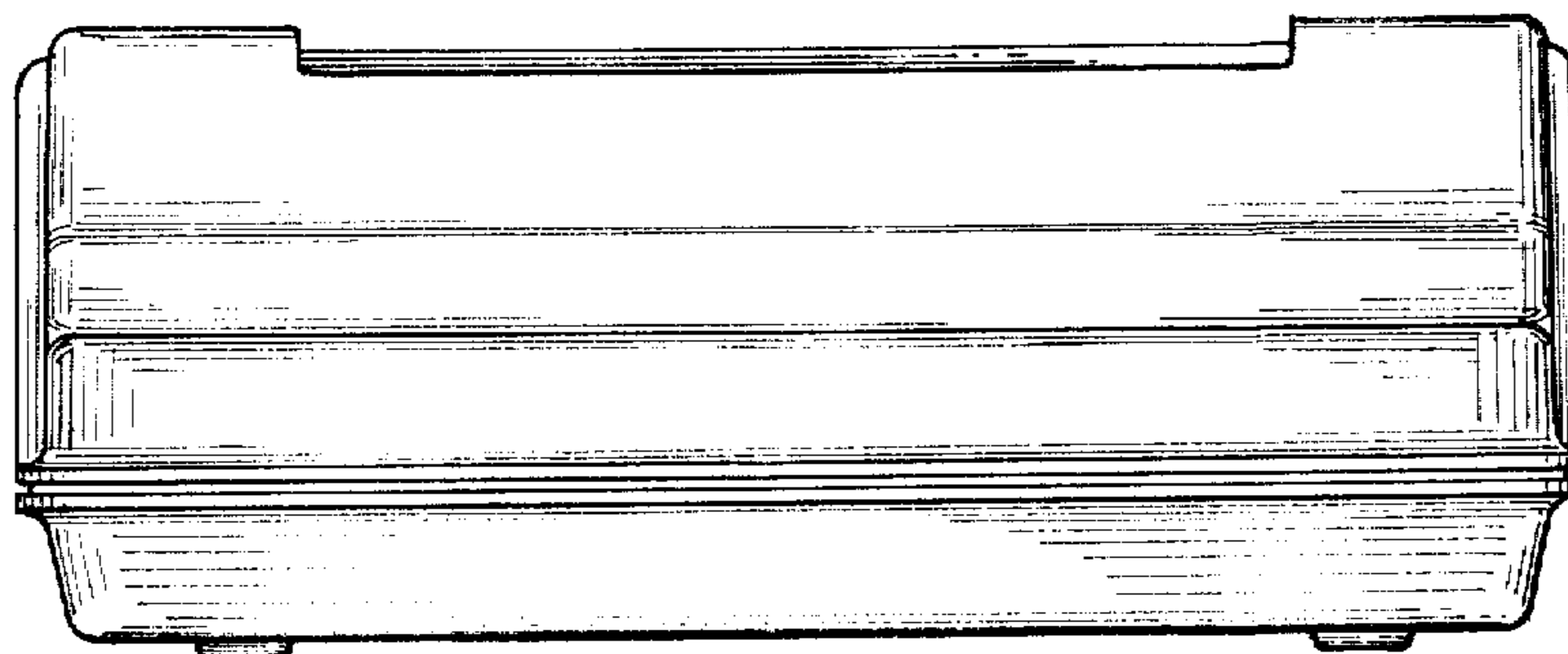


Fig. 5

