

[54] CABINET FOR ELECTRONIC EQUIPMENT

[75] Inventor: Michael J. McGourty, Littleport, England

[73] Assignee: Pye (Electronic Products) Limited, Cambridge, England

[**] Term: 14 Years

[21] Appl. No.: 10,878

[22] Filed: Feb. 9, 1979

[30] Foreign Application Priority Data

Nov. 8, 1978 [GB] United Kingdom 985888/78
Nov. 8, 1978 [GB] United Kingdom 985889/78

[51] Int. Cl. D14-03

[52] U.S. Cl. D14/96; D14/95; D14/68

[58] Field of Search D14/68, 95, 96, 63-65; 179/2 EB, 2 E, 100 R; 325/16, 111, 110; D13/5, 6

[56]

References Cited

U.S. PATENT DOCUMENTS

D. 193,344 8/1962 Lessner D14/95
D. 244,697 6/1977 Tokiyama D14/95 X
D. 251,730 5/1979 Root et al. D14/95 X
D. 256,241 8/1980 Ota D14/96 X

OTHER PUBLICATIONS

Radio Shack, Cat. No. 289, ©1977, p. 158, Base Station Transceiver, Item No. 21-1540.

Primary Examiner—Bernard Ansher
Attorney, Agent, or Firm—Thomas A. Briody; William J. Streeter; Rolf E. Schneider

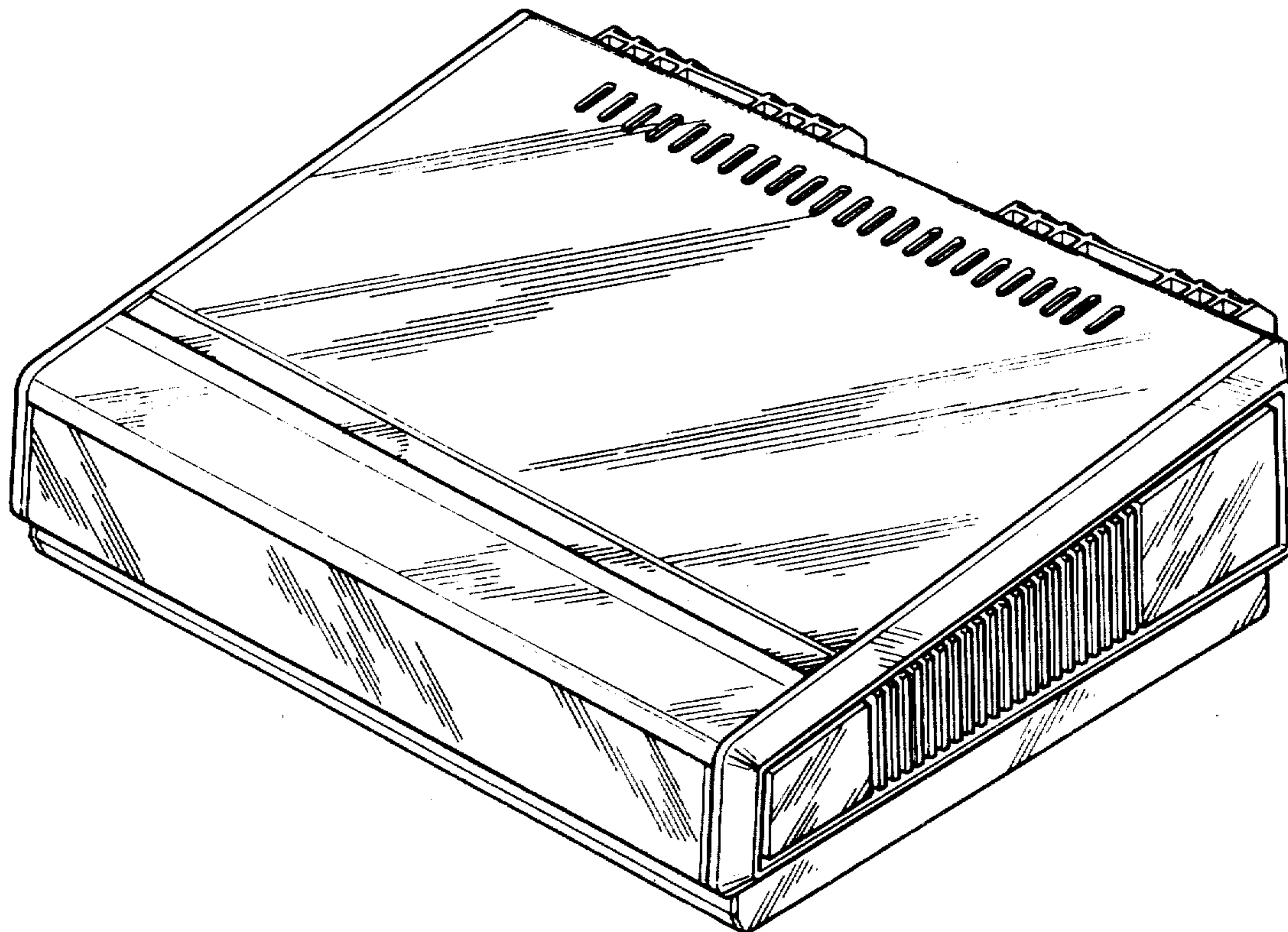
[57]

CLAIM

The ornamental design for a cabinet for electronic equipment, as shown and described.

DESCRIPTION

FIG. 1 is a perspective view of a cabinet for electronic equipment showing my new design; FIG. 2 is a rear elevational view thereof; FIG. 3 is a left side elevational view thereof, the right side elevational view being a mirror image; FIG. 4 is a top plan view thereof; and FIG. 5 is a bottom plan view thereof.



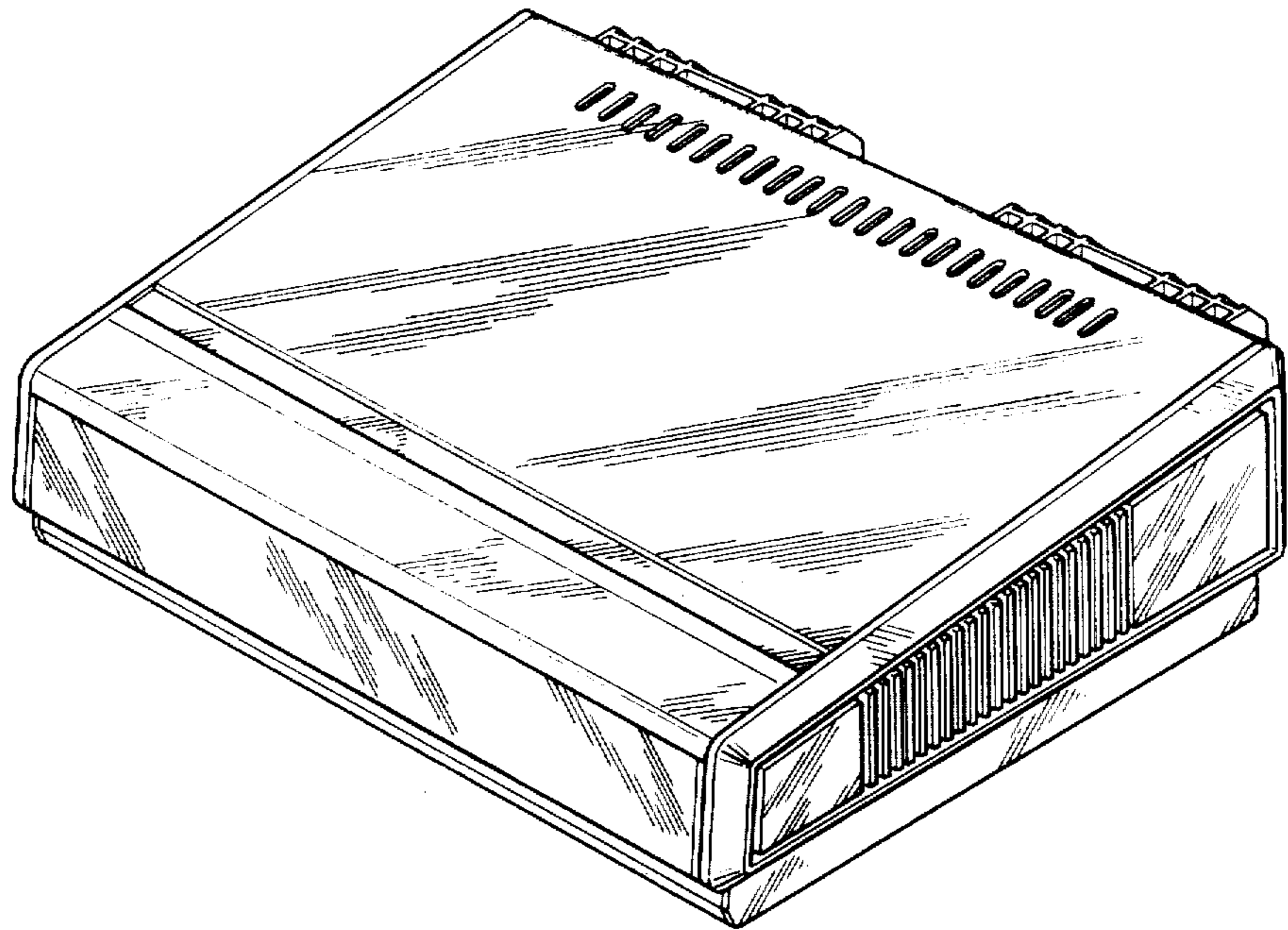


FIG. 1

FIG. 2

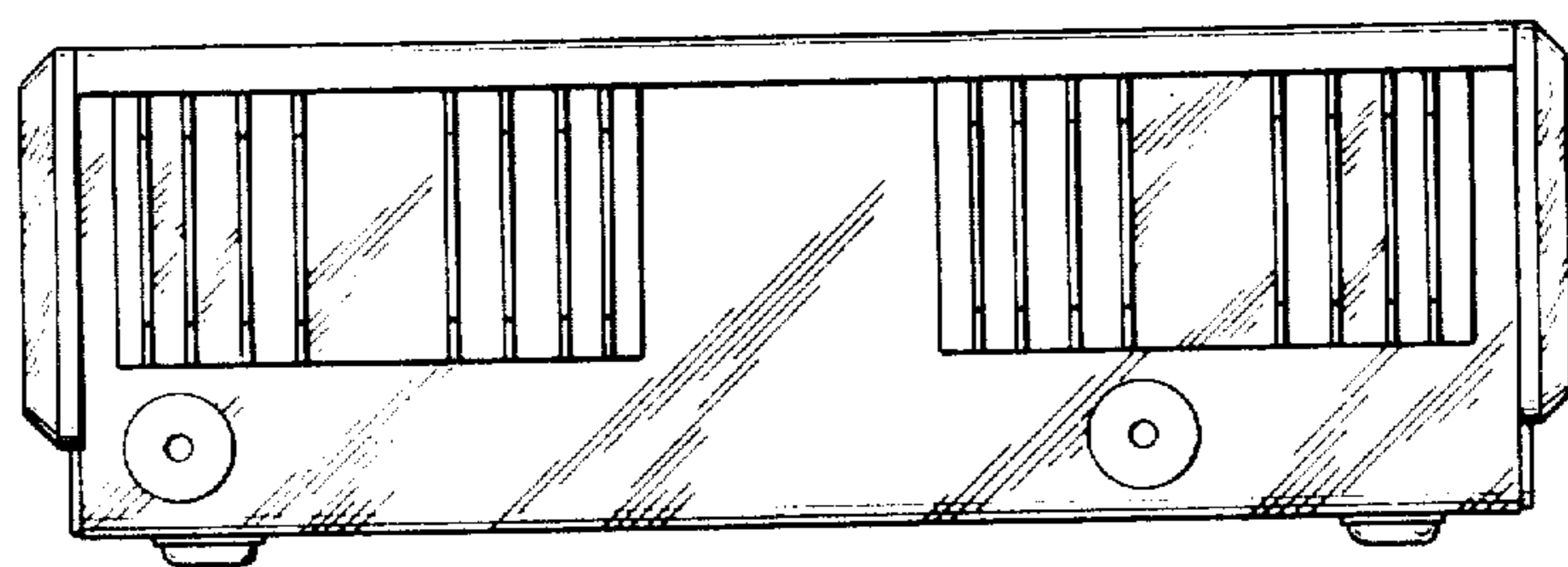


FIG. 3

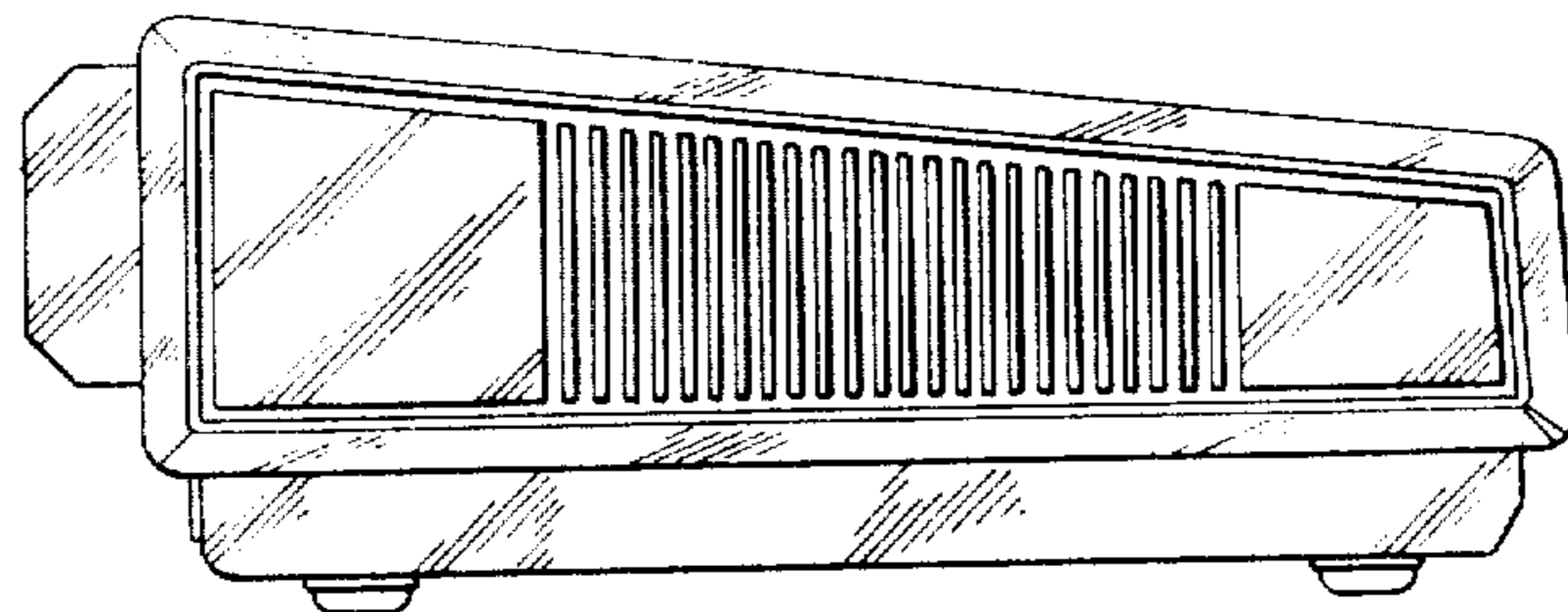


FIG. 4

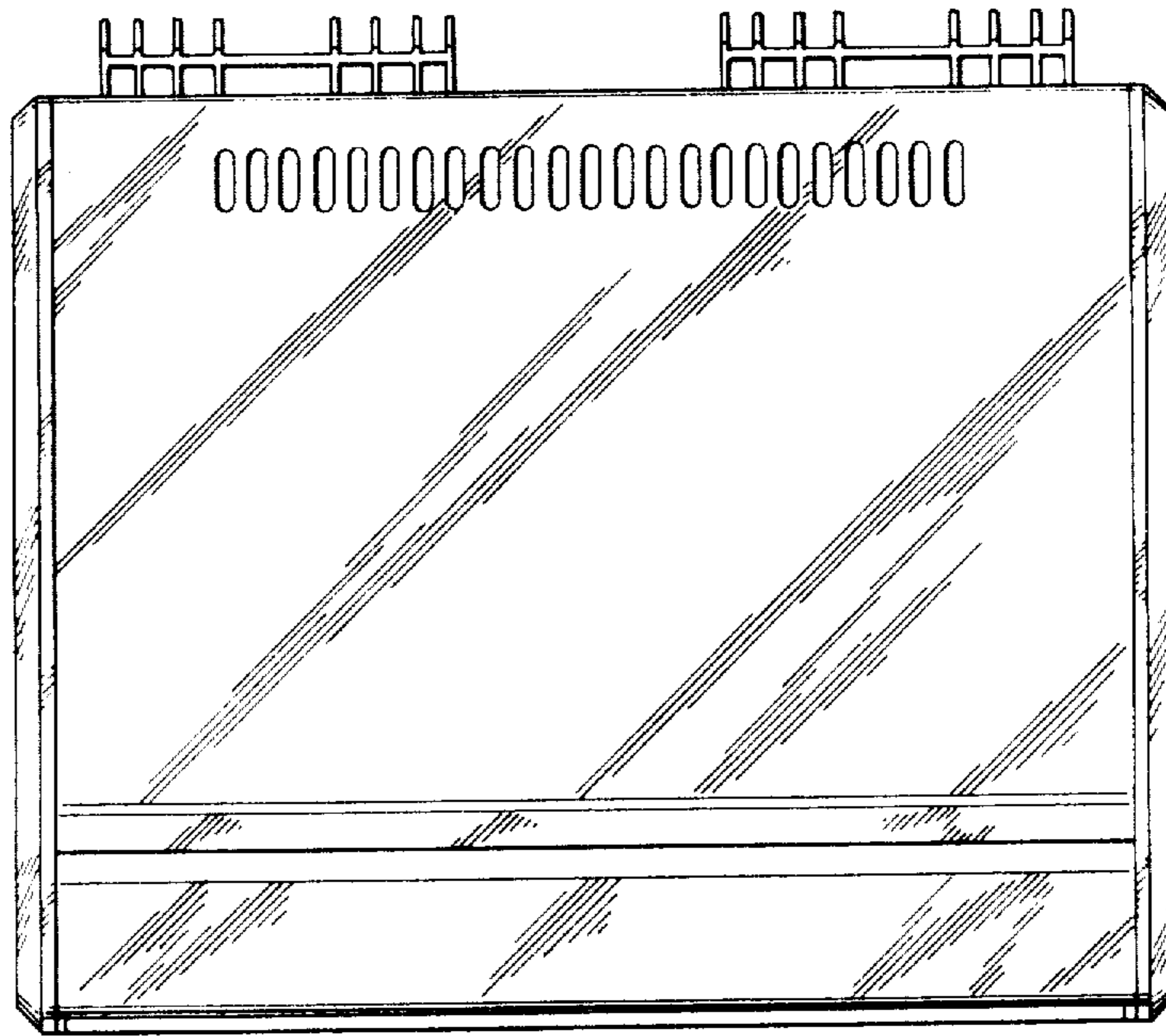


FIG. 5

