

[54] **RADIO TRANSMITTER**

[75] Inventor: **Keisuke Iwata, Tokyo, Japan**

[73] Assignee: **Iwata Electric Co., Ltd., Tokyo, Japan**

[*] Notice: The portion of the term of this patent subsequent to Jul. 22, 1994, has been disclaimed.

[**] Term: **14 Years**

[21] Appl. No.: **59,987**

[22] Filed: **Jul. 23, 1979**

[51] Int. Cl. **D14-03**
[52] U.S. Cl. **D14/95**
[58] Field of Search **D14/68, 95; 334/85; 343/702; 455/89, 90, 128**

[56]

References Cited

U.S. PATENT DOCUMENTS

D. 256,016 7/1980 Iwata D14/95

Primary Examiner—Peter M. Caun
Attorney, Agent, or Firm—I. Morley Drucker

[57]

CLAIM

The ornamental design of a radio transmitter, substantially as shown.

DESCRIPTION

FIG. 1 is a perspective view of a radio transmitter showing my new design;
FIG. 2 is a top plan view of the radio transmitter of FIG. 1;
FIG. 3 is an end view of FIG. 2, as viewed from the left end thereof;
FIG. 4 is an end view of FIG. 2, as viewed from the right end thereof;
FIG. 5 is a bottom plan view of FIG. 2;
FIG. 6 is a side view of FIG. 2 as seen from either side of the said FIG. 2; and
FIG. 7 is a side view of FIG. 5 as seen from either side of the said FIG. 5.

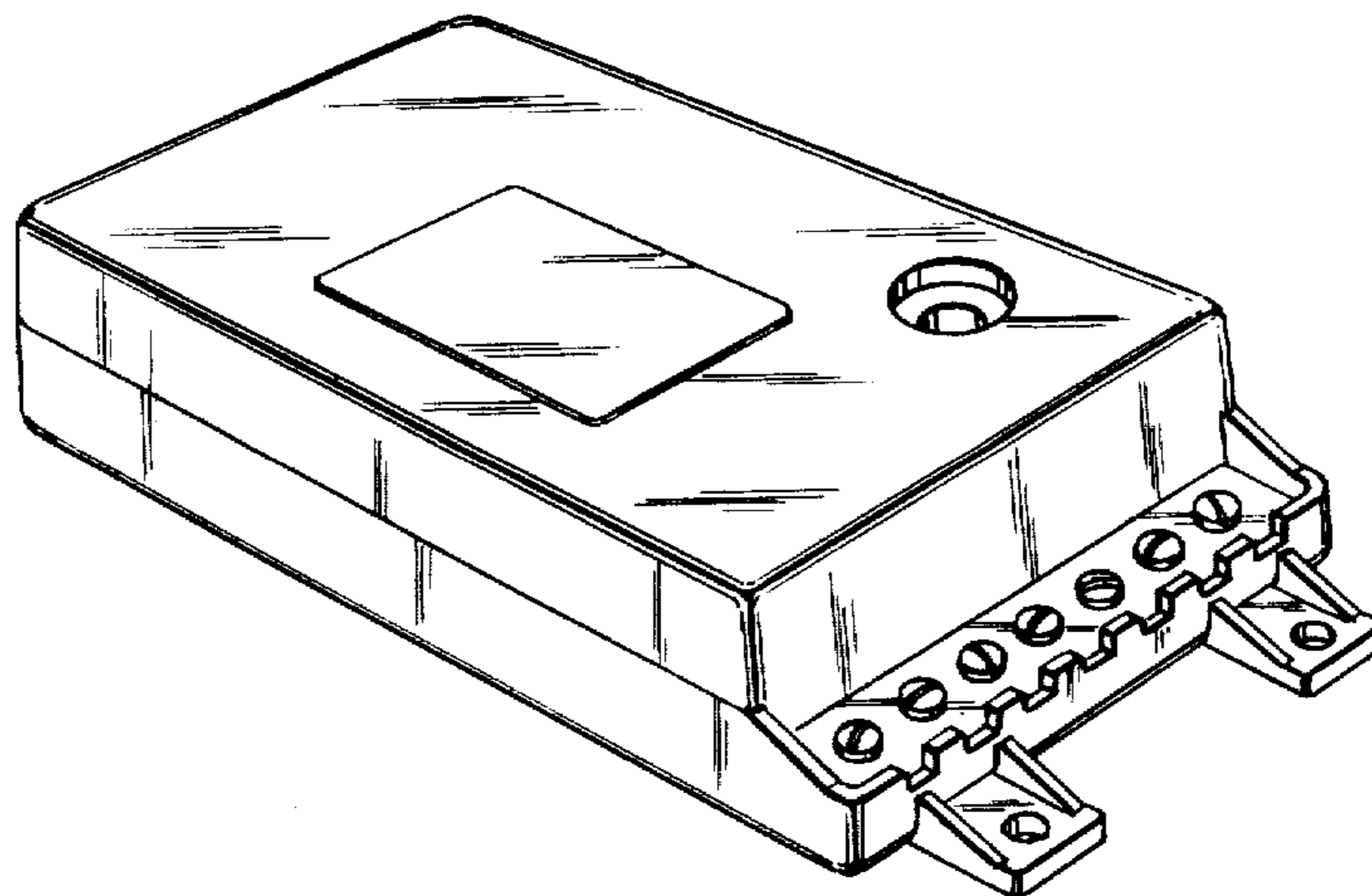


Fig. 1

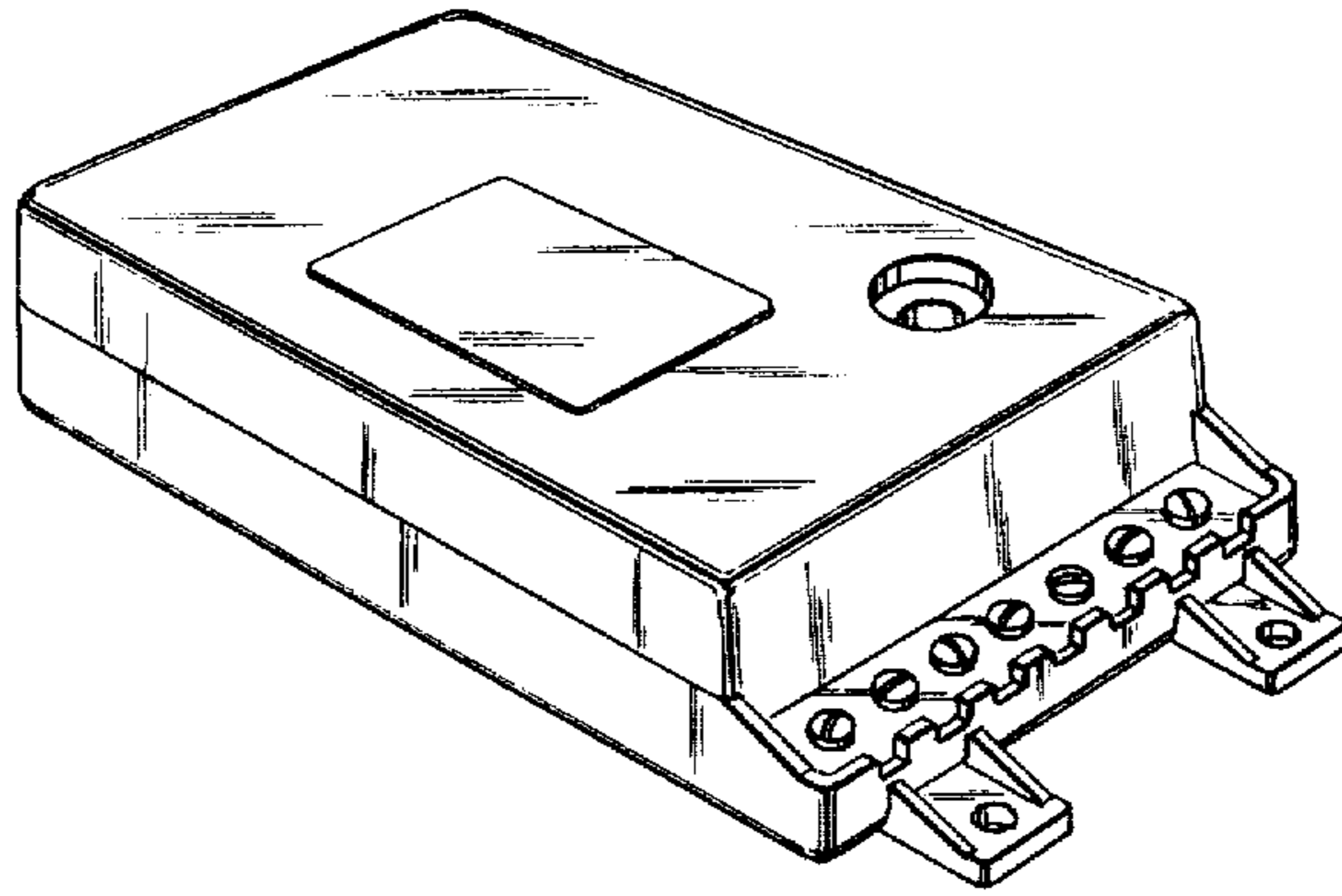


Fig. 7

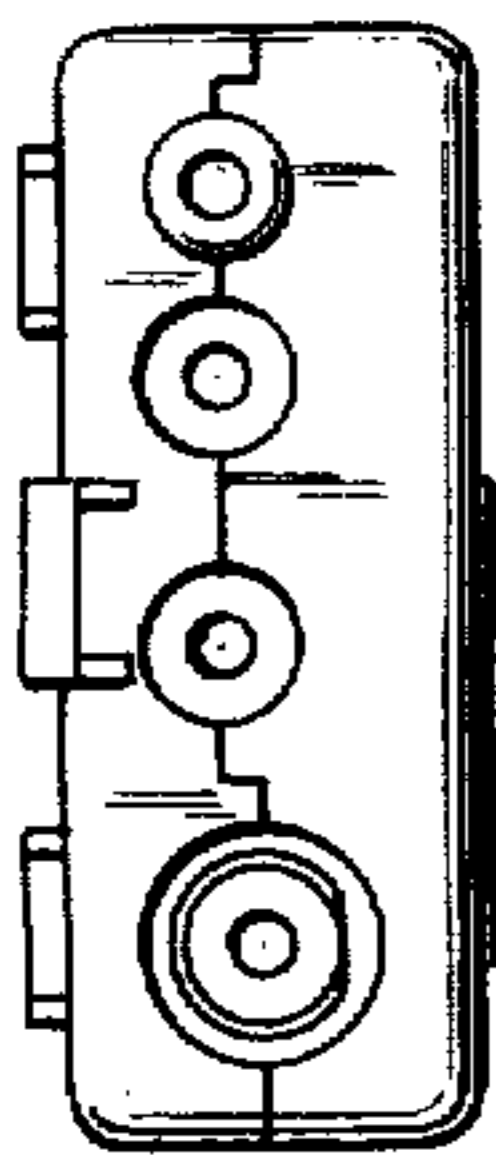
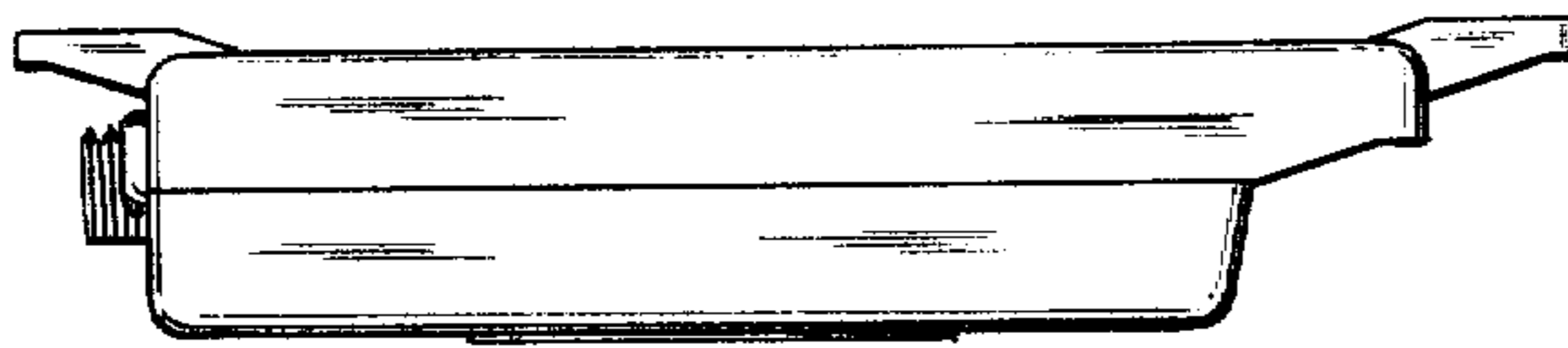


Fig. 3

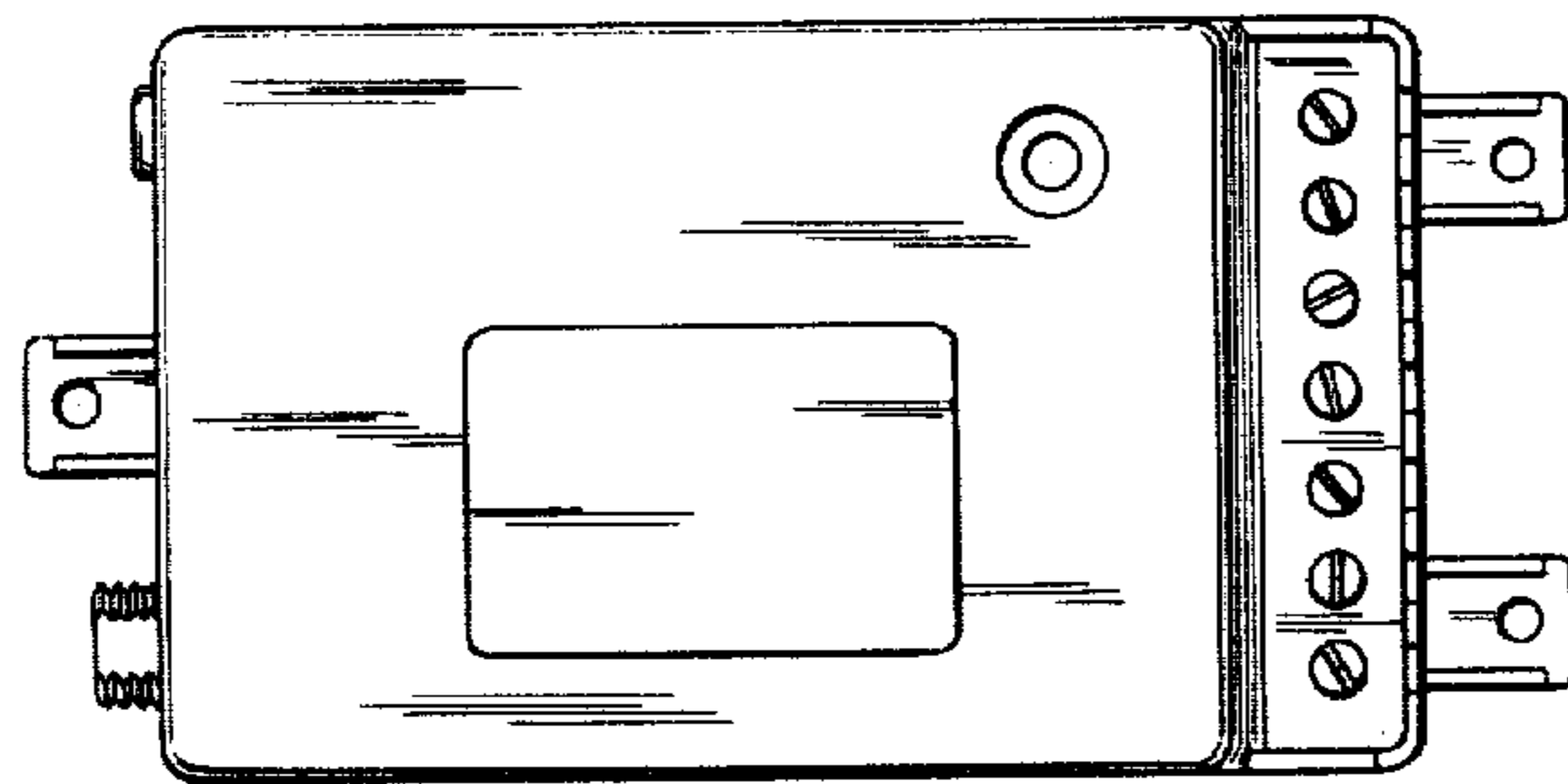


Fig. 2

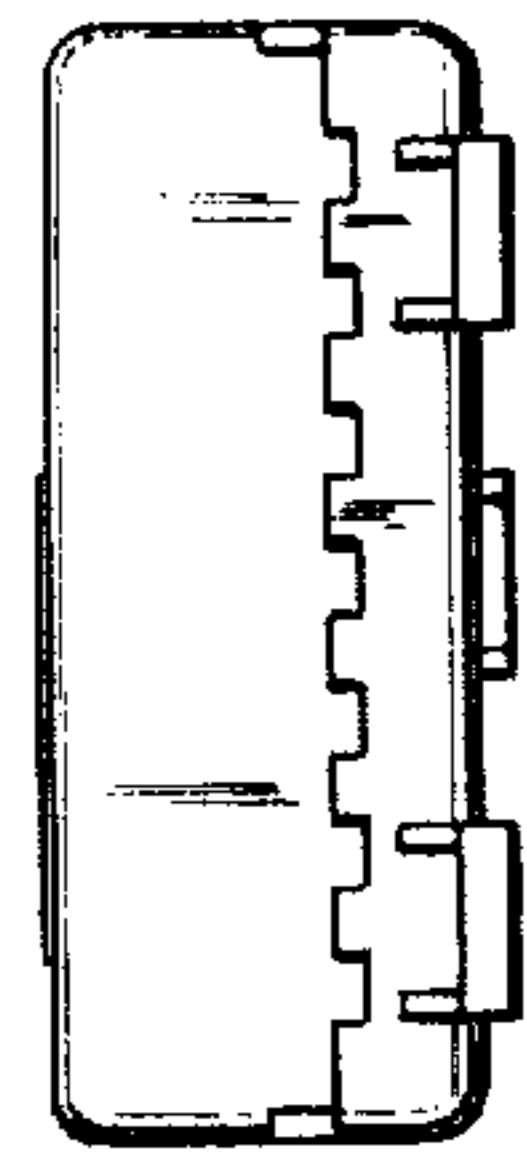


Fig. 4

Fig. 6

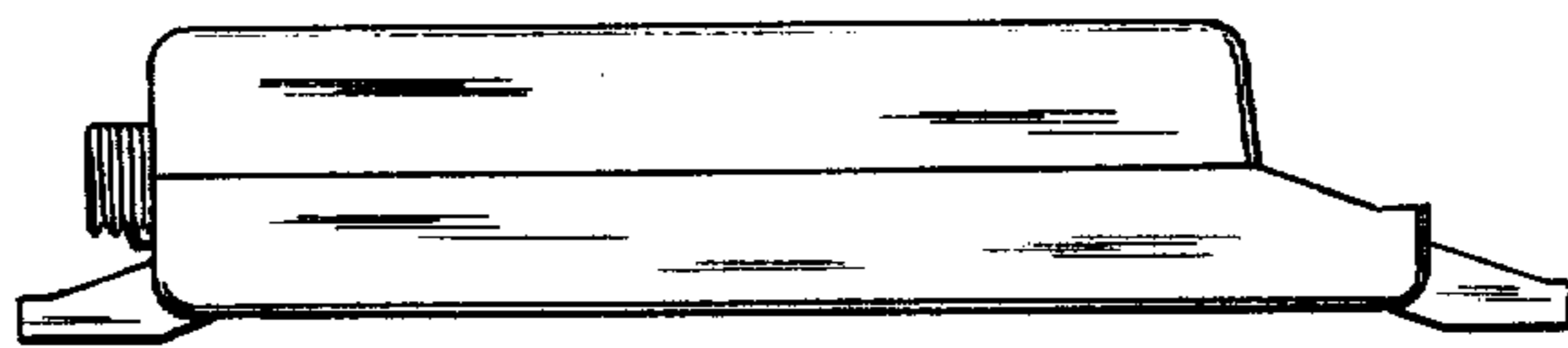


Fig. 5

