

[54] COMPONENT MOUNTING PLATE FOR A PC BOARD INDICATOR AND CONTROL DEVICE

[75] Inventor: **Ralph J. McComas**, Boulder Creek, Calif.

[73] Assignee: **Perception Electronics, Inc.**, San Jose, Calif.

[\*\*] Term: **14 Years**

[21] Appl. No.: **44,523**

[22] Filed: **Jun. 1, 1979**

[51] Int. Cl. .... **D13-03**

[52] U.S. Cl. .... **D13/12**

[58] Field of Search ..... D13/12, 17, 40, 41, D13/99; 361/399, 415, 396; 339/110 R, 110 P, 113 R, 113 B, 113 L, 17 R

[56] **References Cited**

**U.S. PATENT DOCUMENTS**

4,098,046 7/1978 Papa ..... 361/415 X

4,129,897 12/1978 Telewski et al. .... 361/399

*Primary Examiner*—A. Hugo Word  
*Attorney, Agent, or Firm*—Claude A. S. Hamrick

[57] **CLAIM**

The ornamental design for a component mounting plate for a PC board indicator and control device, substantially as shown and described.

**DESCRIPTION**

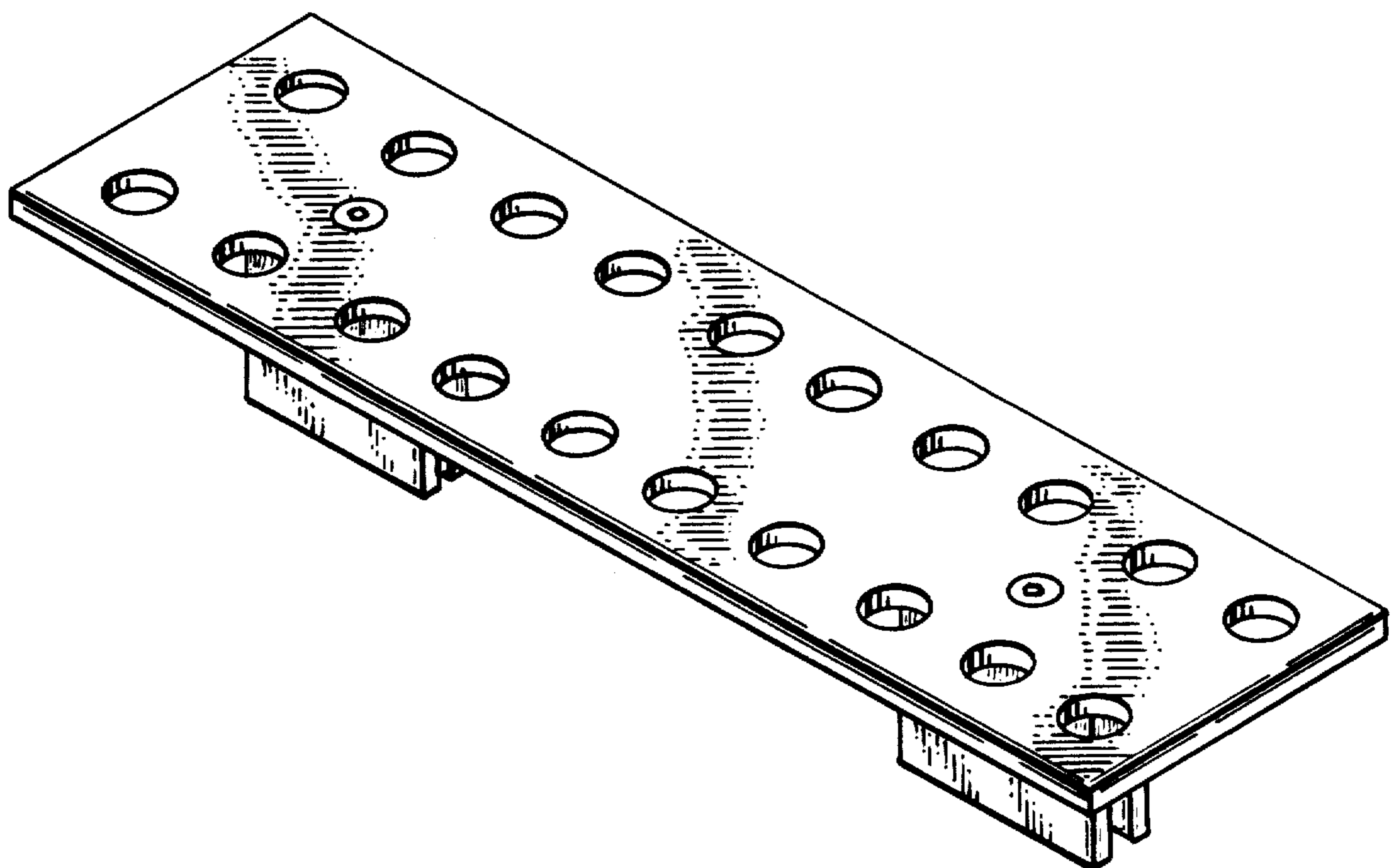
FIG. 1 is a perspective view of a component mounting plate for a PC board indicator and control device accordance with my new design;

FIG. 2 is a top plan view of the indicator and control device shown in FIG. 1;

FIG. 3 is a bottom plan view of the indicator and control device shown in FIG. 1;

FIG. 4 is a right side elevational view of a indicator and control device shown in FIG. 1, the left side elevational view being identical thereto; and

FIG. 5 is an elevational view of the indicator and control device shown in FIG. 1, the rear end elevational view being identical thereto.



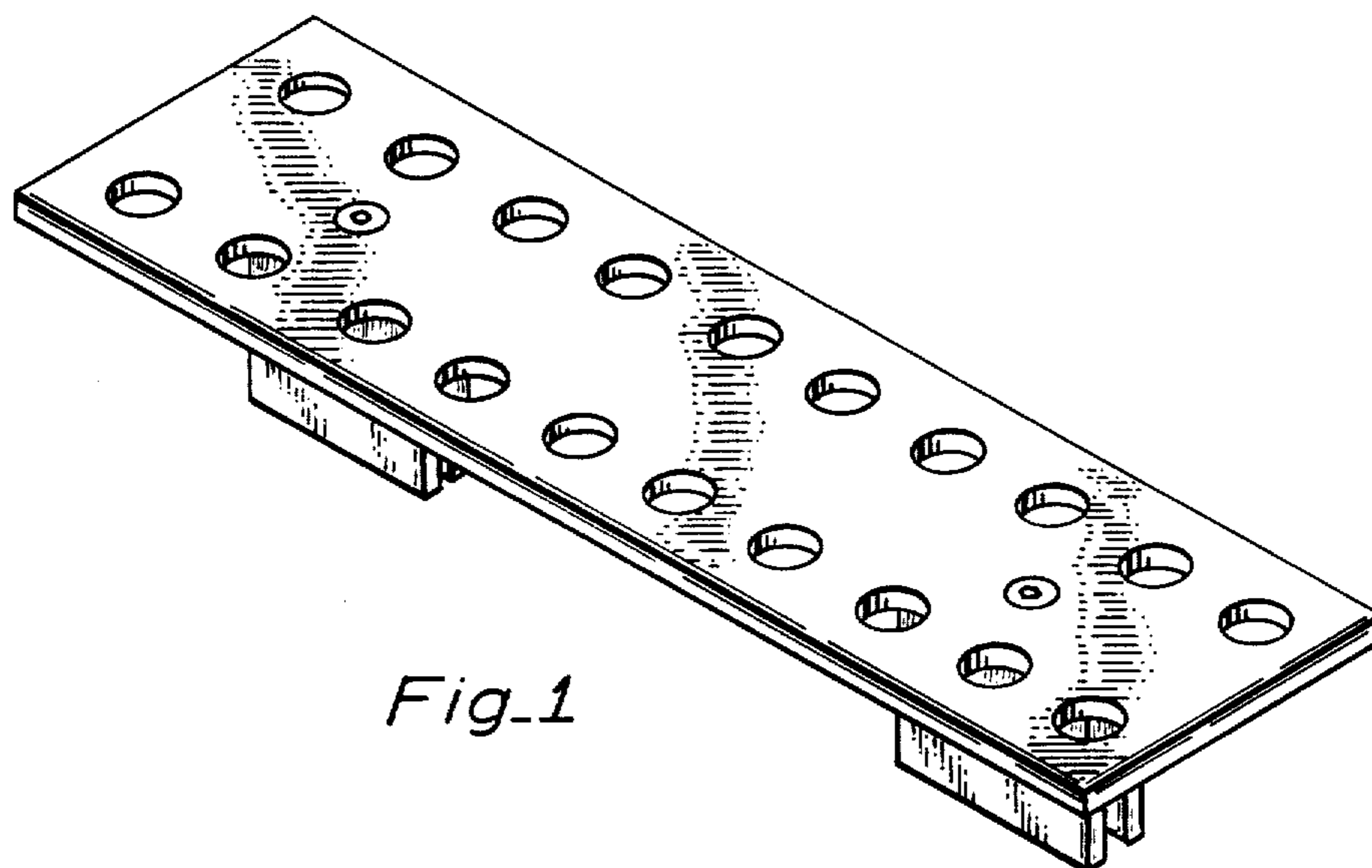


Fig. 1

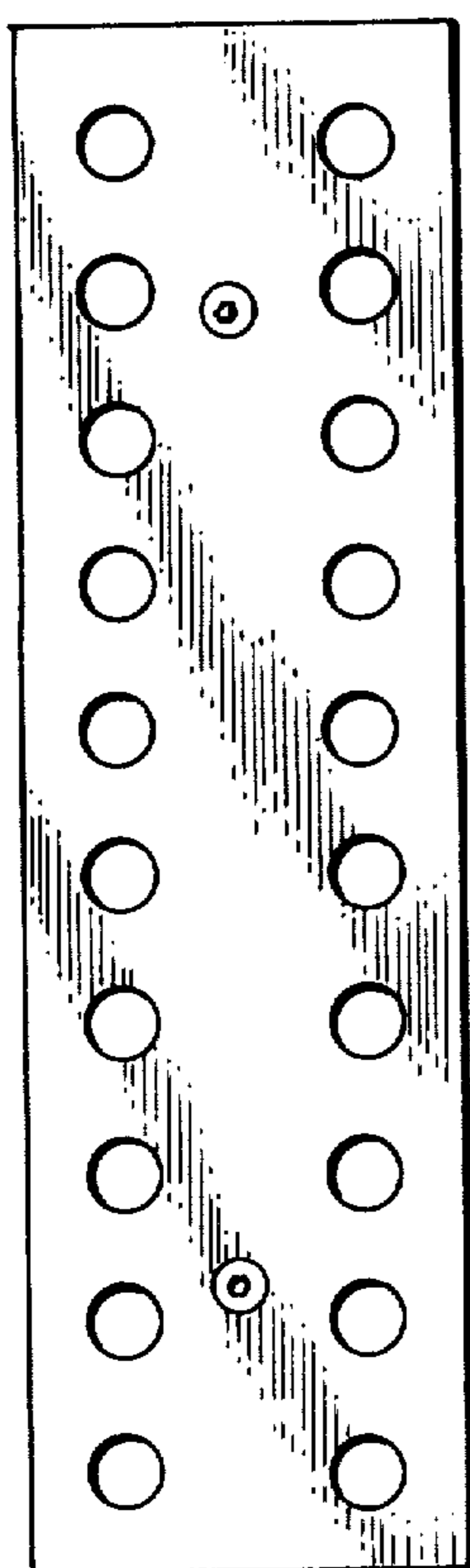


Fig. 2

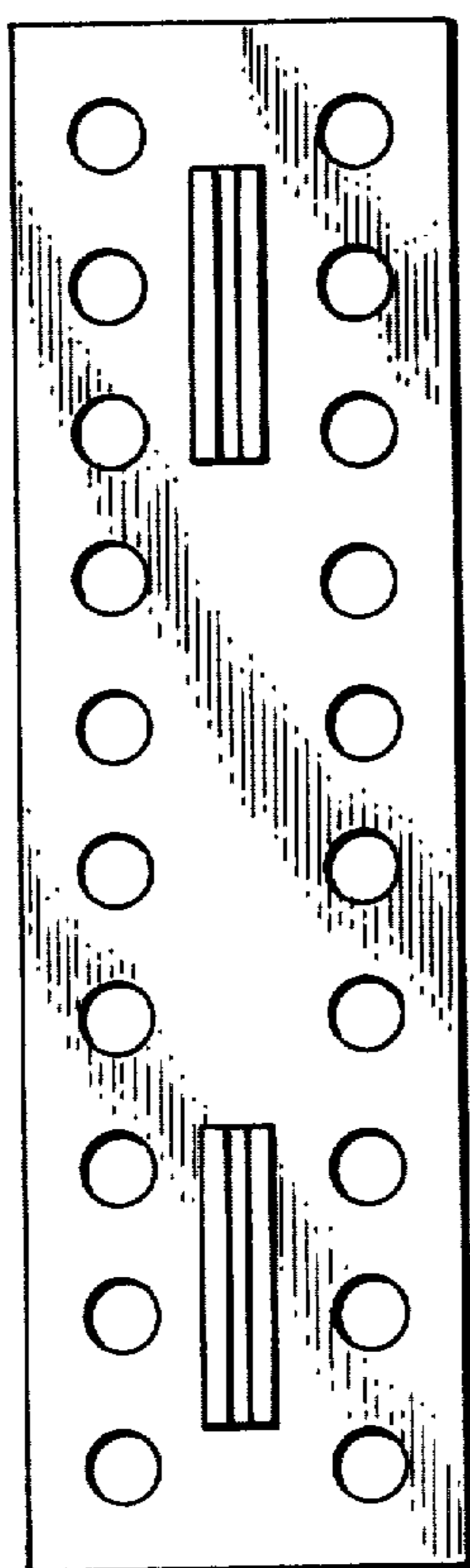


Fig. 3

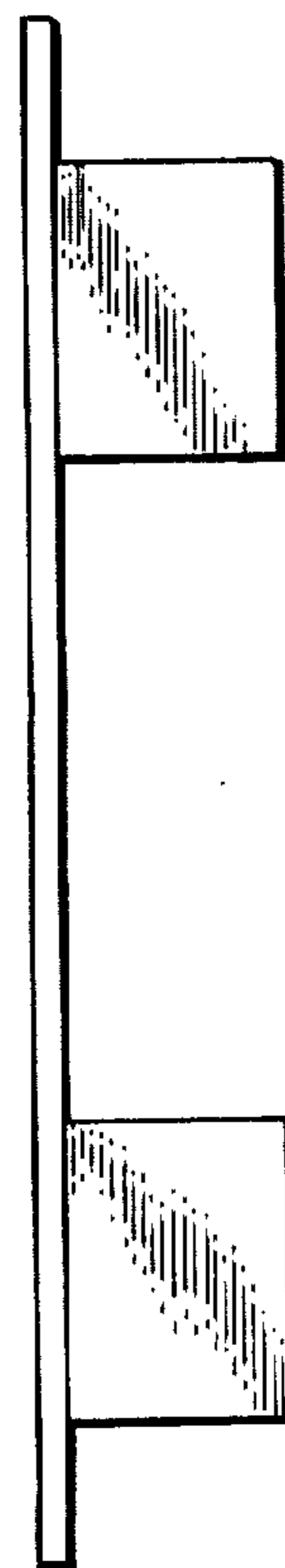


Fig. 4

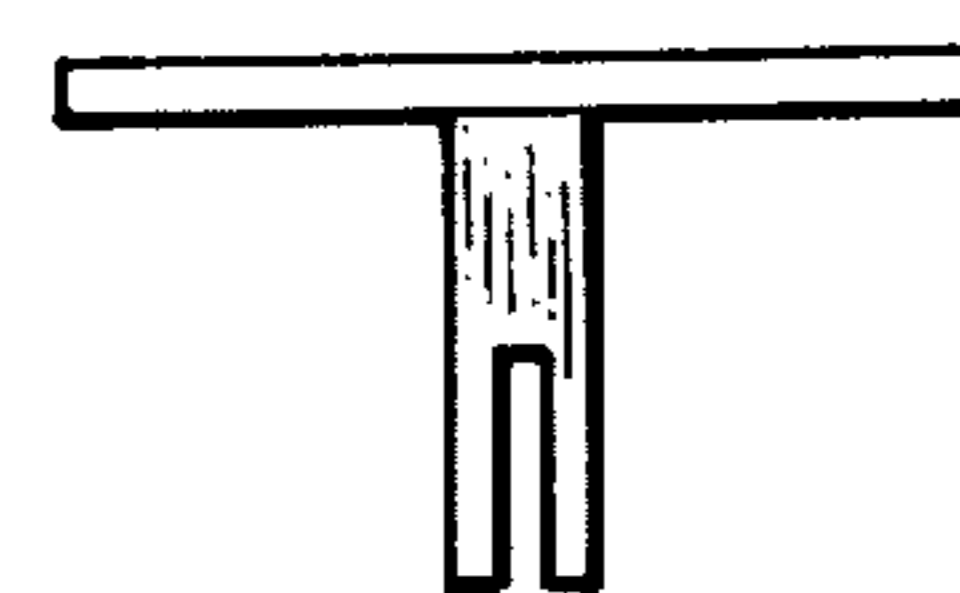


Fig. 5