

[54] **PORTABLE POWER SOURCE FOR A GRASS CUTTER**

[75] **Inventor:** Ruedi Fellmann, Dietlikon, Switzerland

[73] **Assignee:** Max Langenstein Feld- und Gartelgeräte, Illertissen, Fed. Rep. of Germany

[\*\*] **Term:** 14 Years

[21] **Appl. No.:** 133,329

[22] **Filed:** Mar. 24, 1980

[30] **Foreign Application Priority Data**  
Sep. 24, 1979 [DE] Fed. Rep. of Germany ..... MR898

[51] **Int. Cl.** ..... D13-01  
[52] **U.S. Cl.** ..... D13/11

[58] **Field of Search** ..... D13/11, 12, 40, 41; 361/331, 332, 334, 380; 320/2; 307/150

[56] **References Cited**  
**U.S. PATENT DOCUMENTS**

D. 204,607 5/1966 Rutzebeck ..... D13/11  
3,581,480 6/1971 O'Connor ..... 320/2 X

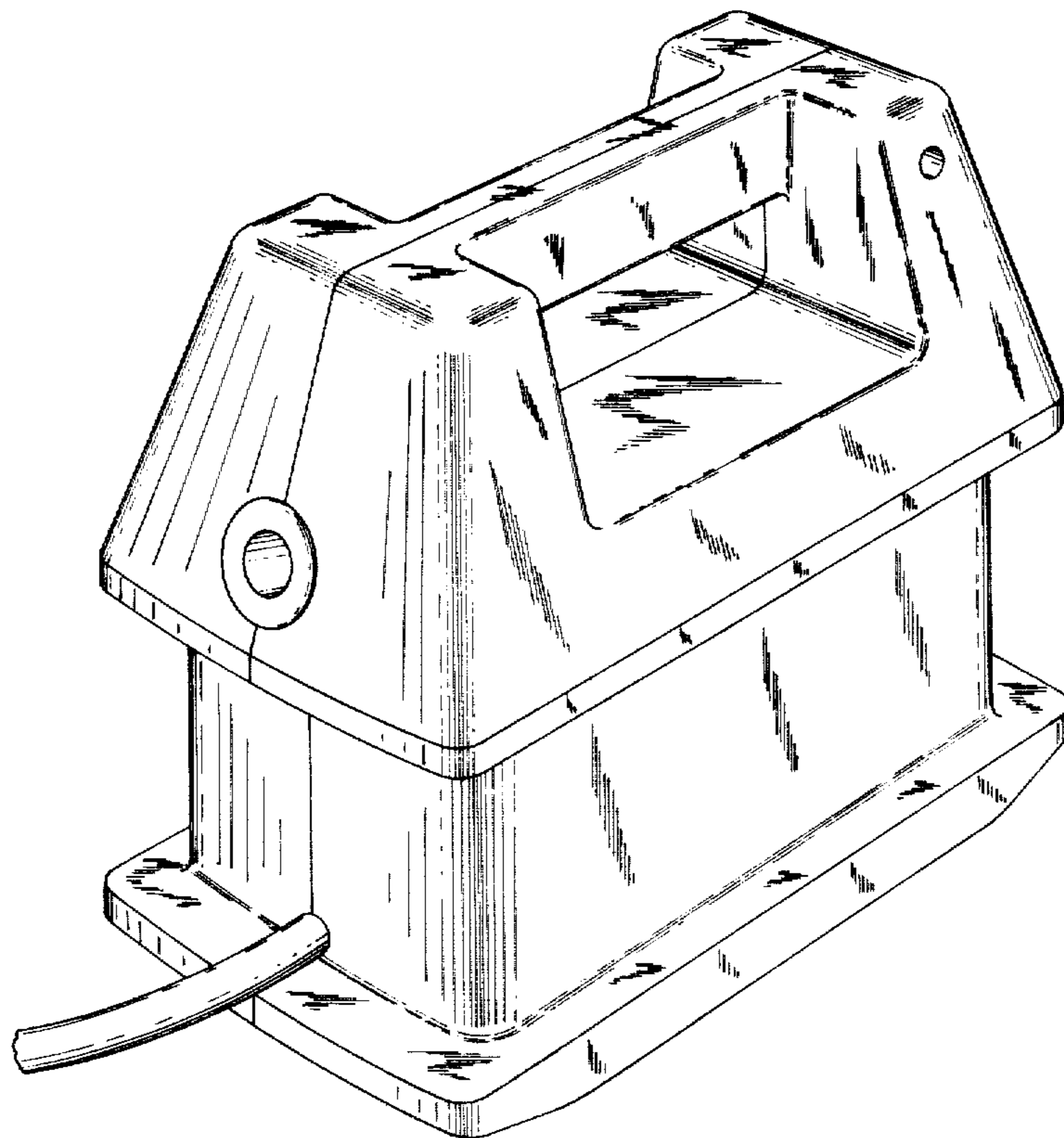
*Primary Examiner*—Susan J. Lucas  
*Attorney, Agent, or Firm*—Karl F. Ross

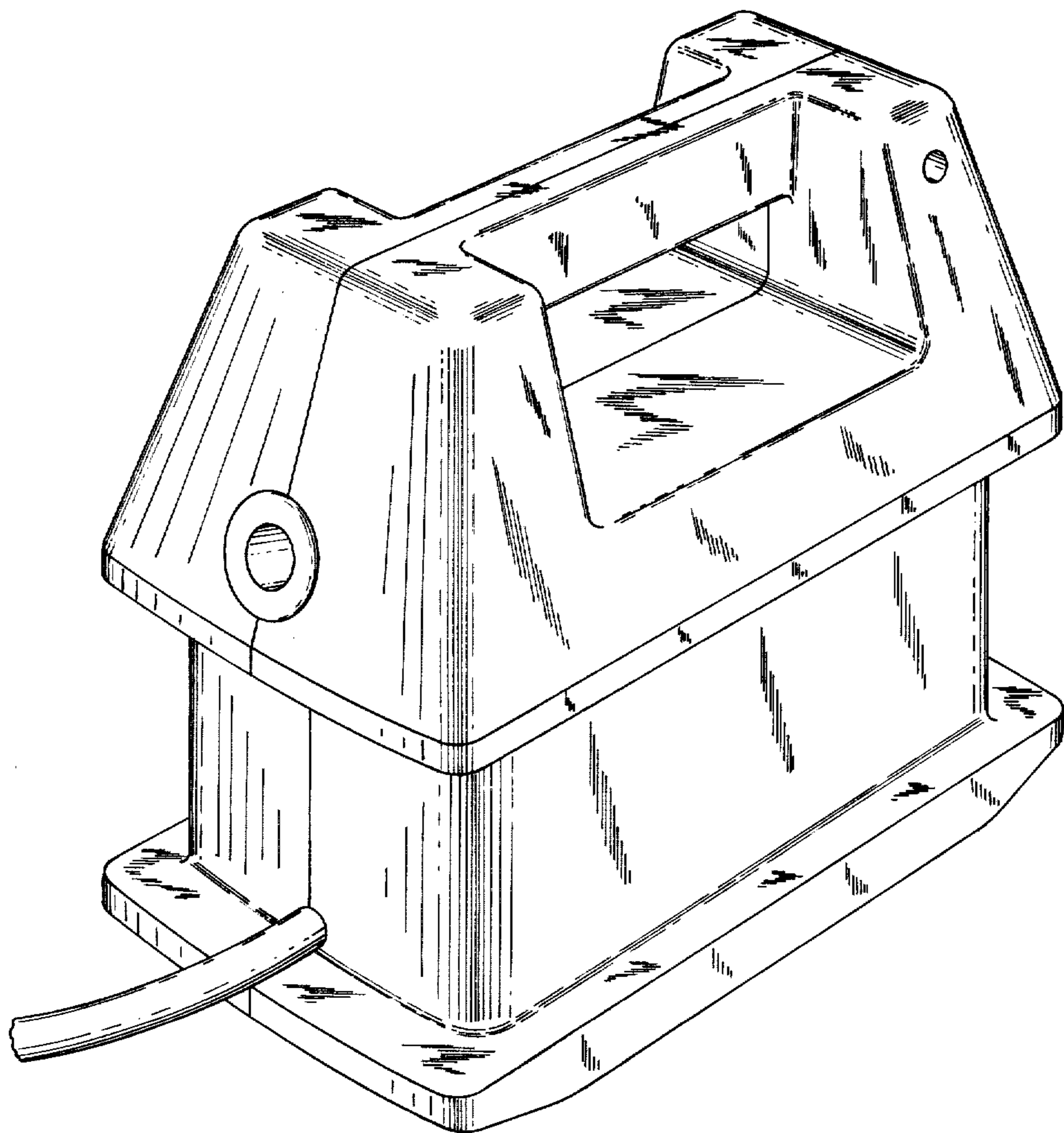
[57] **CLAIM**

The ornamental design for a portable power source for a grass cutter, as shown.

**DESCRIPTION**

FIG. 1 is a perspective front and side view taken from above of the portable power source for a grass cutter showing my design; and FIG. 2 is a perspective rear and other side view taken from below thereof.





**FIG. 1**

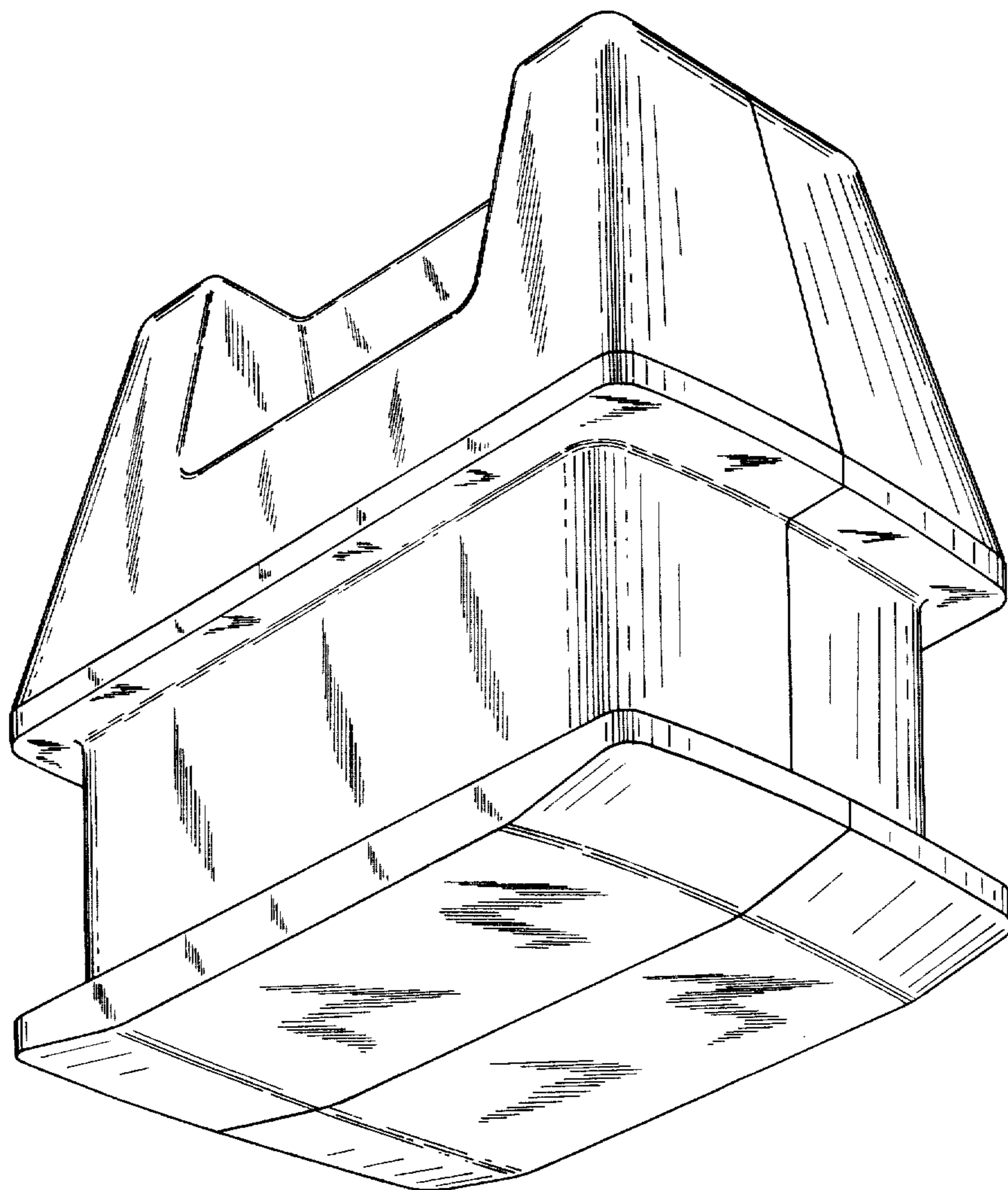


FIG. 2