

[54] HOUSING FOR A SILICON CONTROLLED RECTIFIER DEVICE

[76] Inventor: Ronald Secrest, P.O. Box 61, Langhorne, Pa. 19047

[**] Term: 14 Years

[21] Appl. No.: 82,500

[22] Filed: Oct. 9, 1979

[51] Int. Cl. D13-02

[52] U.S. Cl. D13/4

[58] Field of Search D13/4, 11, 40, 41; 174/50, 52 R; 361/331, 332, 380

[56] References Cited

U.S. PATENT DOCUMENTS

D. 224,229	7/1972	Miller	D13/41
D. 257,342	10/1980	Payne	D13/41
2,485,450	10/1949	Kotterman	363/13
3,360,752	12/1967	Uptegraff, Jr.	174/52 R

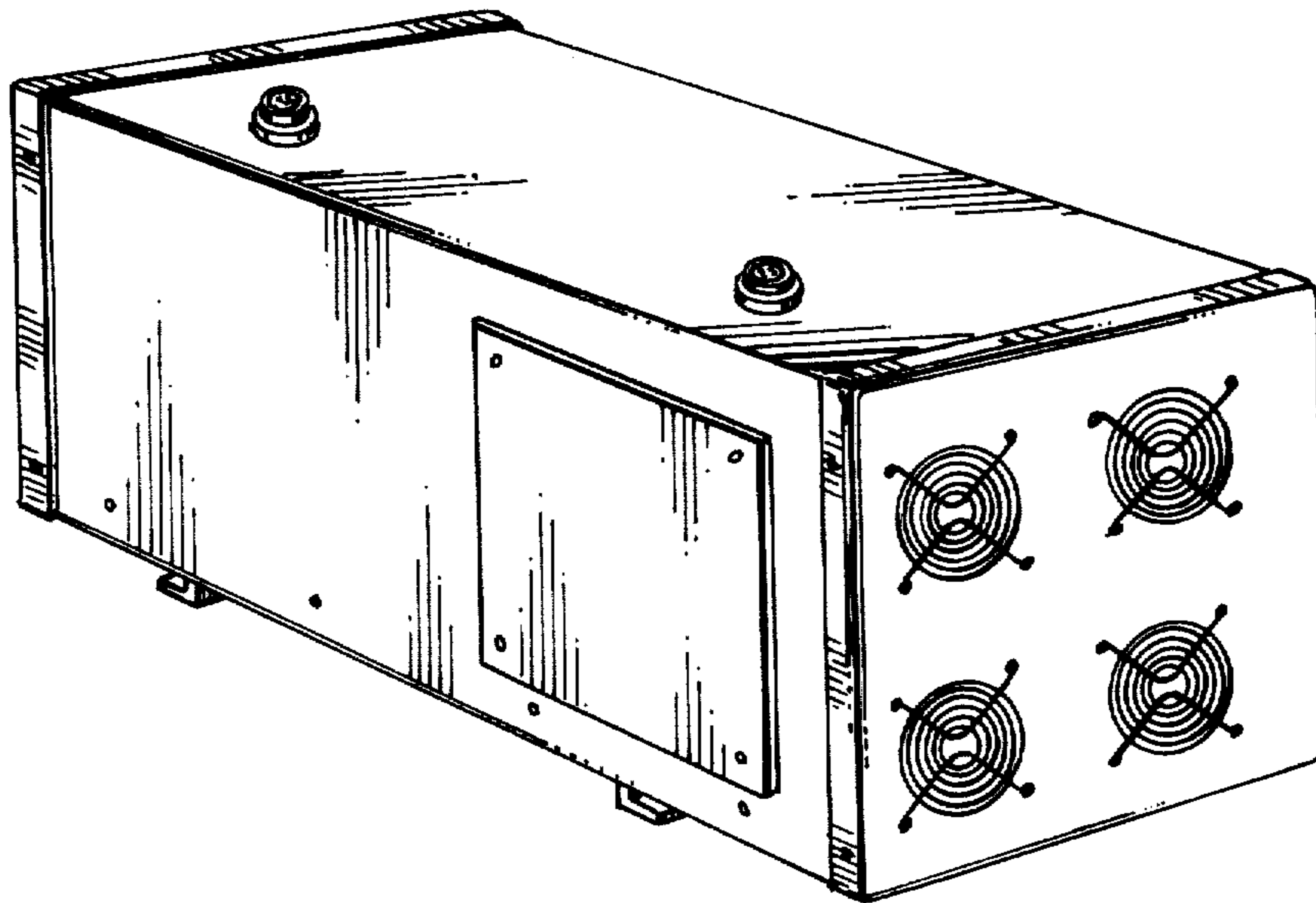
Primary Examiner—Peter M. Caun
Attorney, Agent, or Firm—John J. Kane; Frederick A. Zoda; Albert Sperry

[57] CLAIM

The ornamental design for a housing for a silicon controlled rectifier device, as shown.

DESCRIPTION

FIG. 1 is a perspective view of a housing for a silicon controlled rectifier device embodying the new design; FIG. 2 is a side elevation of the housing in FIG. 1 as seen from the left hand side thereof; FIG. 3 is a front elevation of the housing shown in FIG. 1; FIG. 4 is a top plan view of the housing as shown in FIG. 1; FIG. 5 is a side elevation of the housing as shown in FIG. 1 as seen from the right hand side thereof; and FIG. 6 is a rear elevation of the housing as shown in FIG. 1.



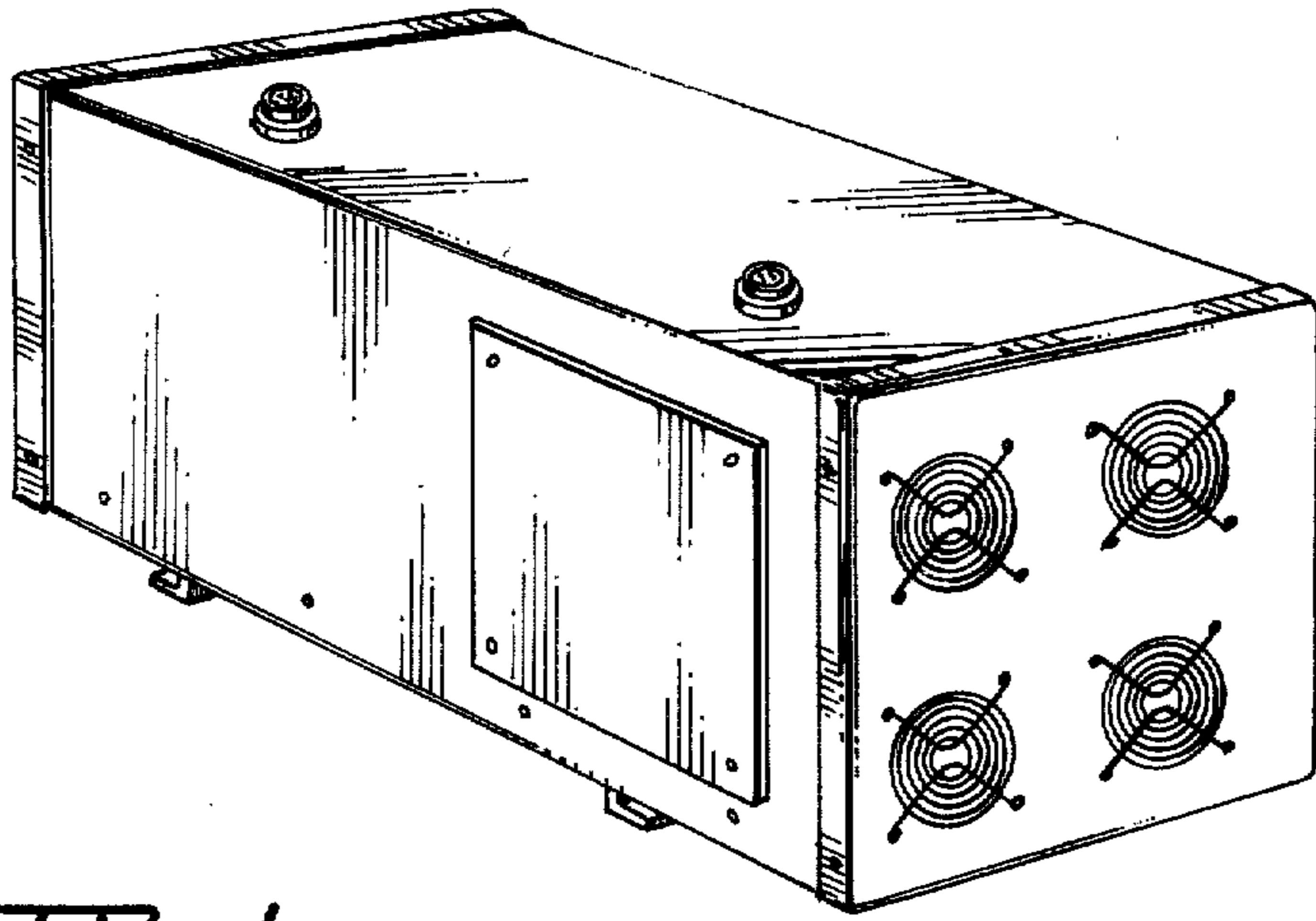


Fig. 1.

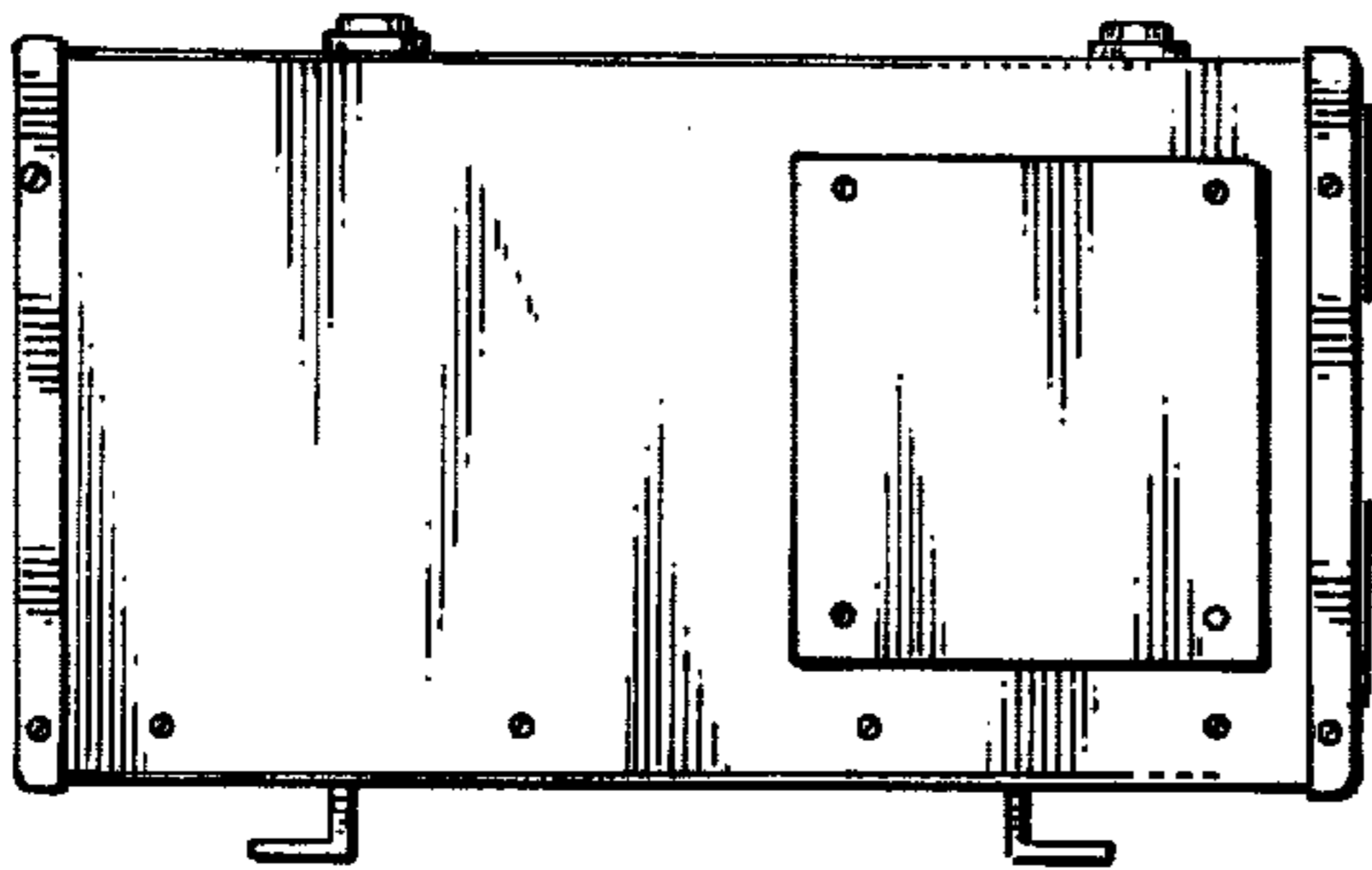


Fig. 2.

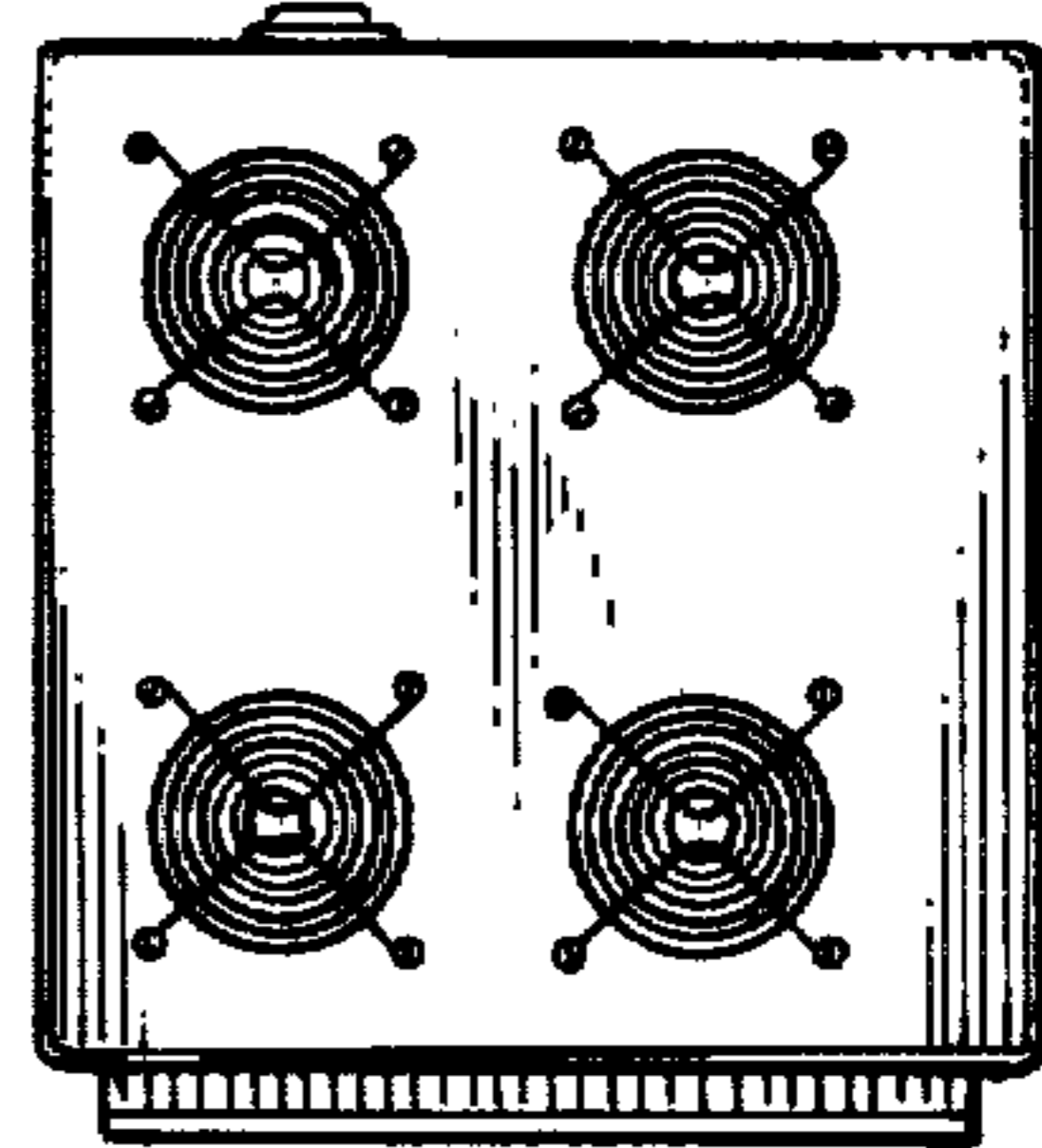


Fig. 3.

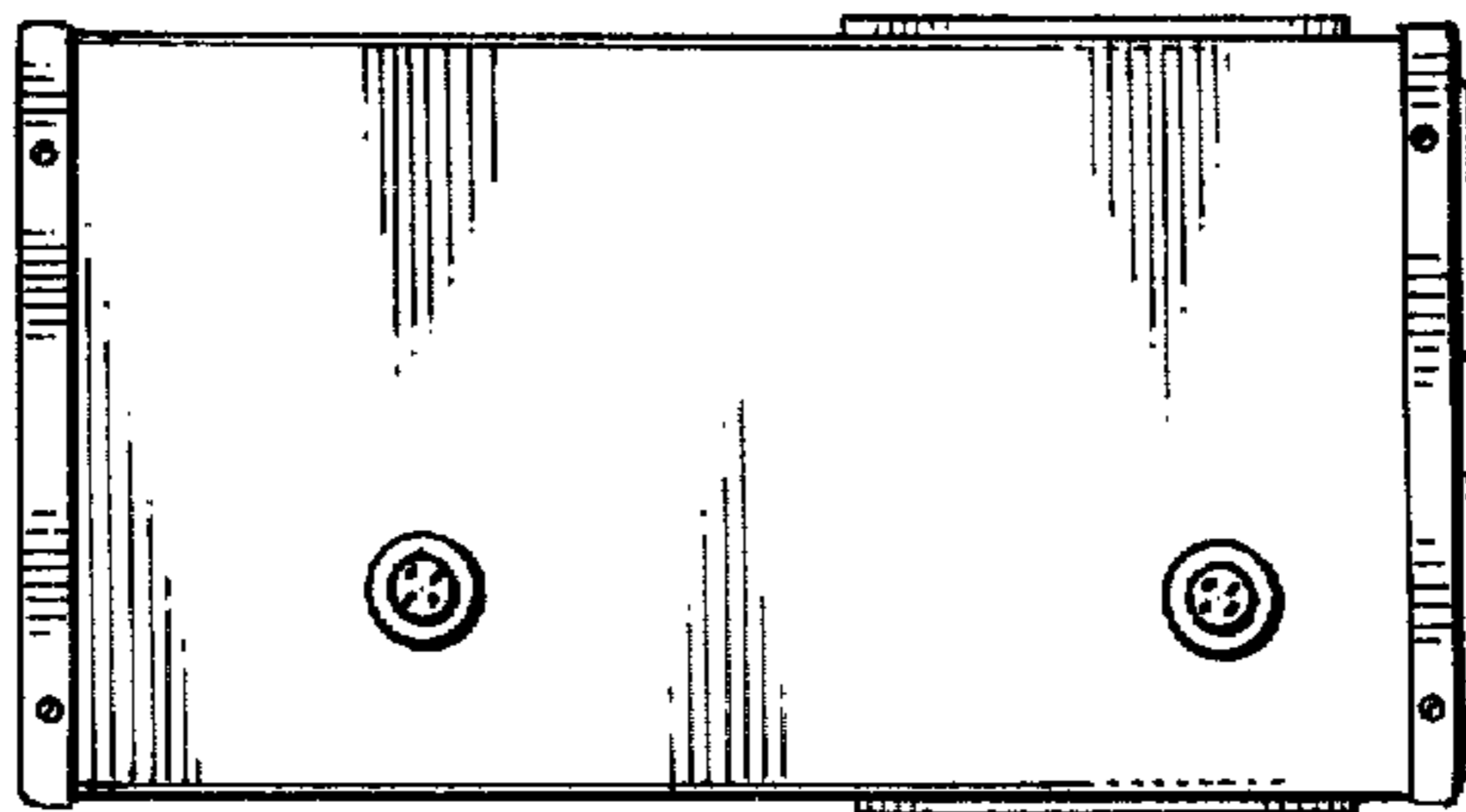


Fig. 4.

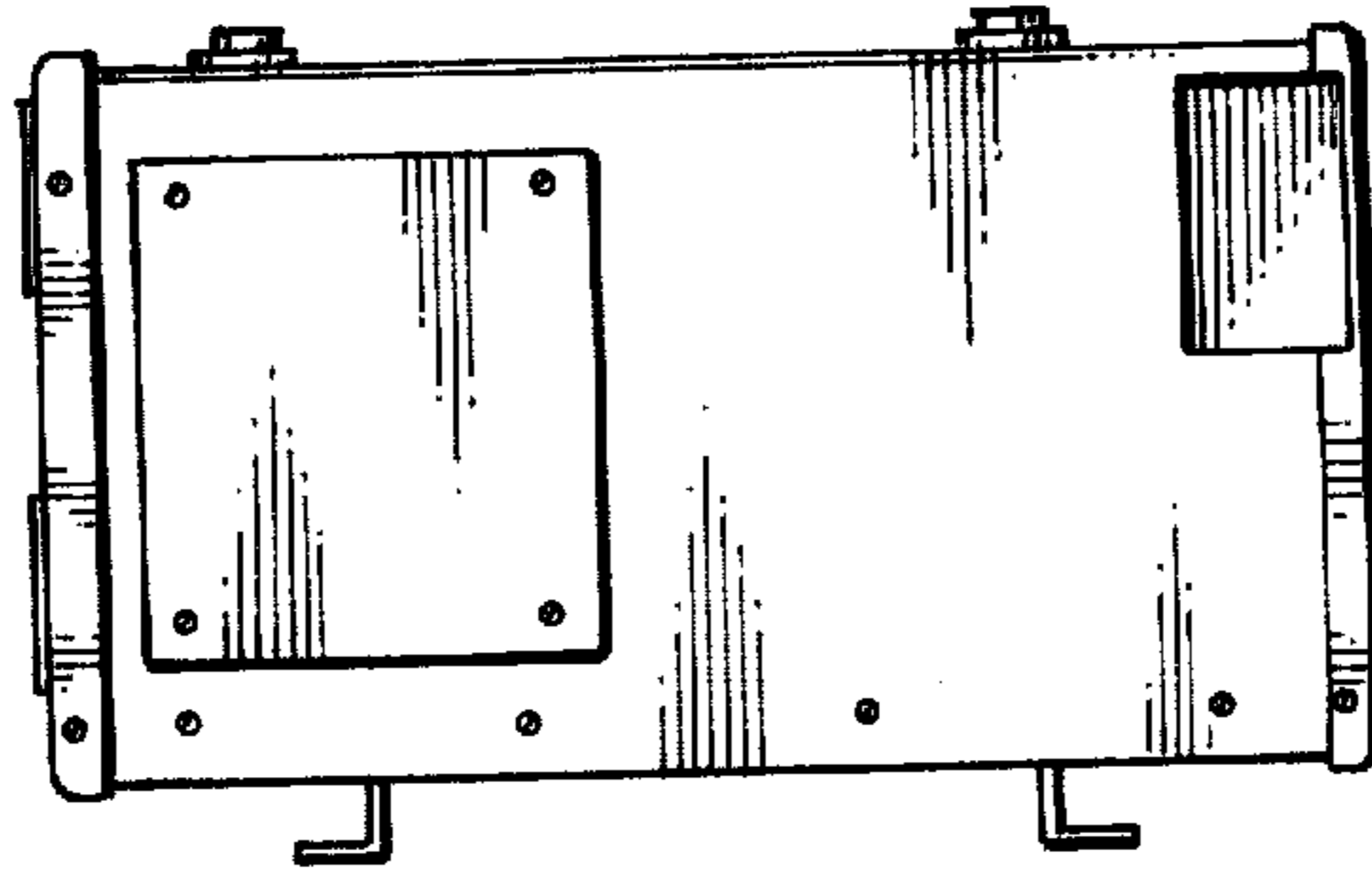


Fig. 5.

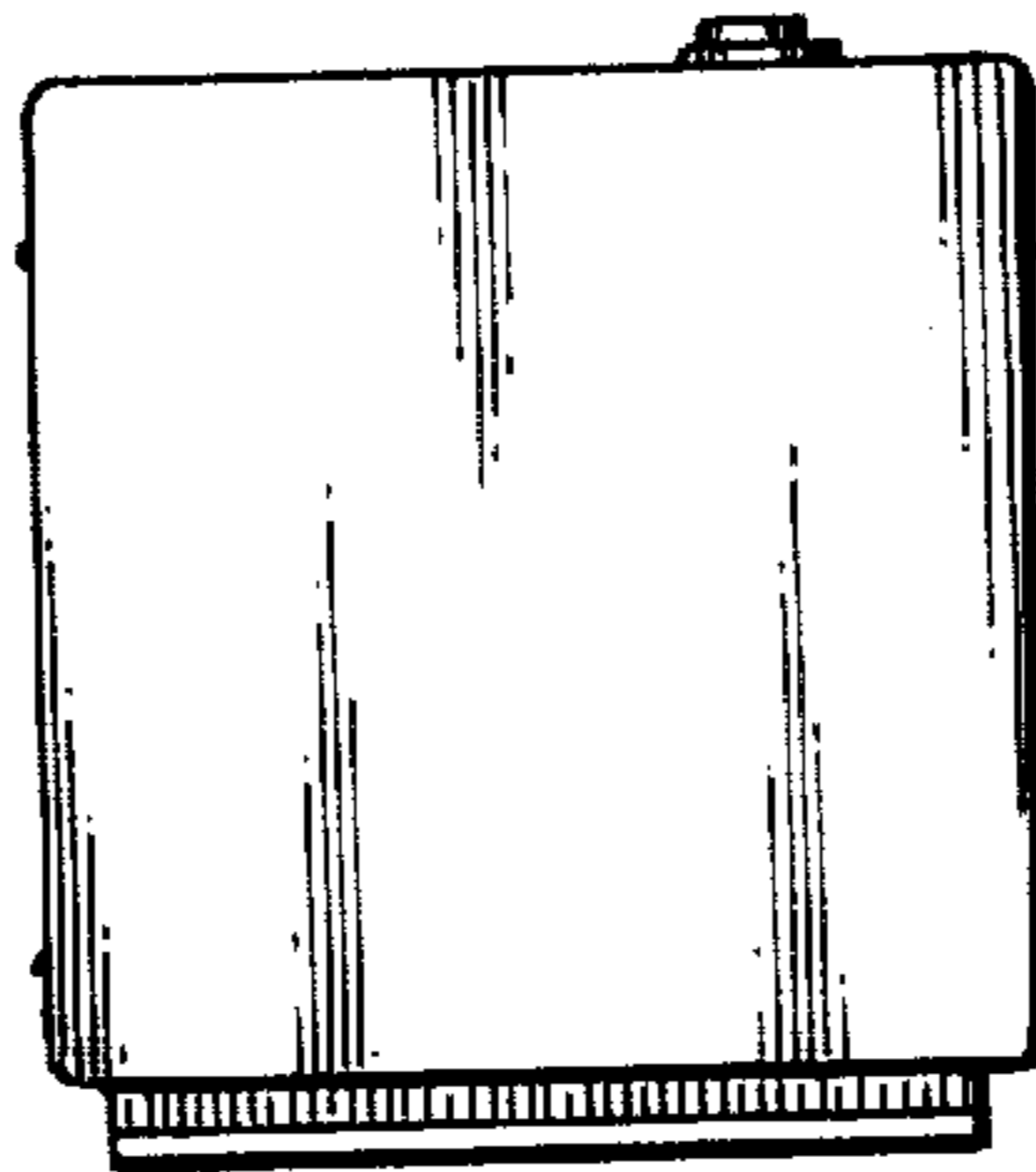


Fig. 6.