

[54] CENTER HUB FOR A STEERING WHEEL

[76] Inventors: John R. Schinella, 3317 Greentree Dr., Bloomfield Hills, Mich. 48013; Herbert L. Adams, III, 1036 San Carlos Rd., Pebble Beach, Calif. 93953

[**] Term: 14 Years

[21] Appl. No.: 20,659

[22] Filed: Mar. 15, 1979

[51] Int. Cl. D12-16

[52] U.S. Cl. D12/176

[58] Field of Search D12/176; 74/552

[56] References Cited

U.S. PATENT DOCUMENTS

D. 222,448 10/1971 Faul et al. D12/176
3,937,101 2/1976 Wade 74/552

FOREIGN PATENT DOCUMENTS

2227331 12/1972 Fed. Rep. of Germany 74/552

Primary Examiner—James M. Gandy
Attorney, Agent, or Firm—Limbach, Limbach & Sutton

[57] CLAIM

The ornamental design for a center hub for a steering wheel, as shown and described.

DESCRIPTION

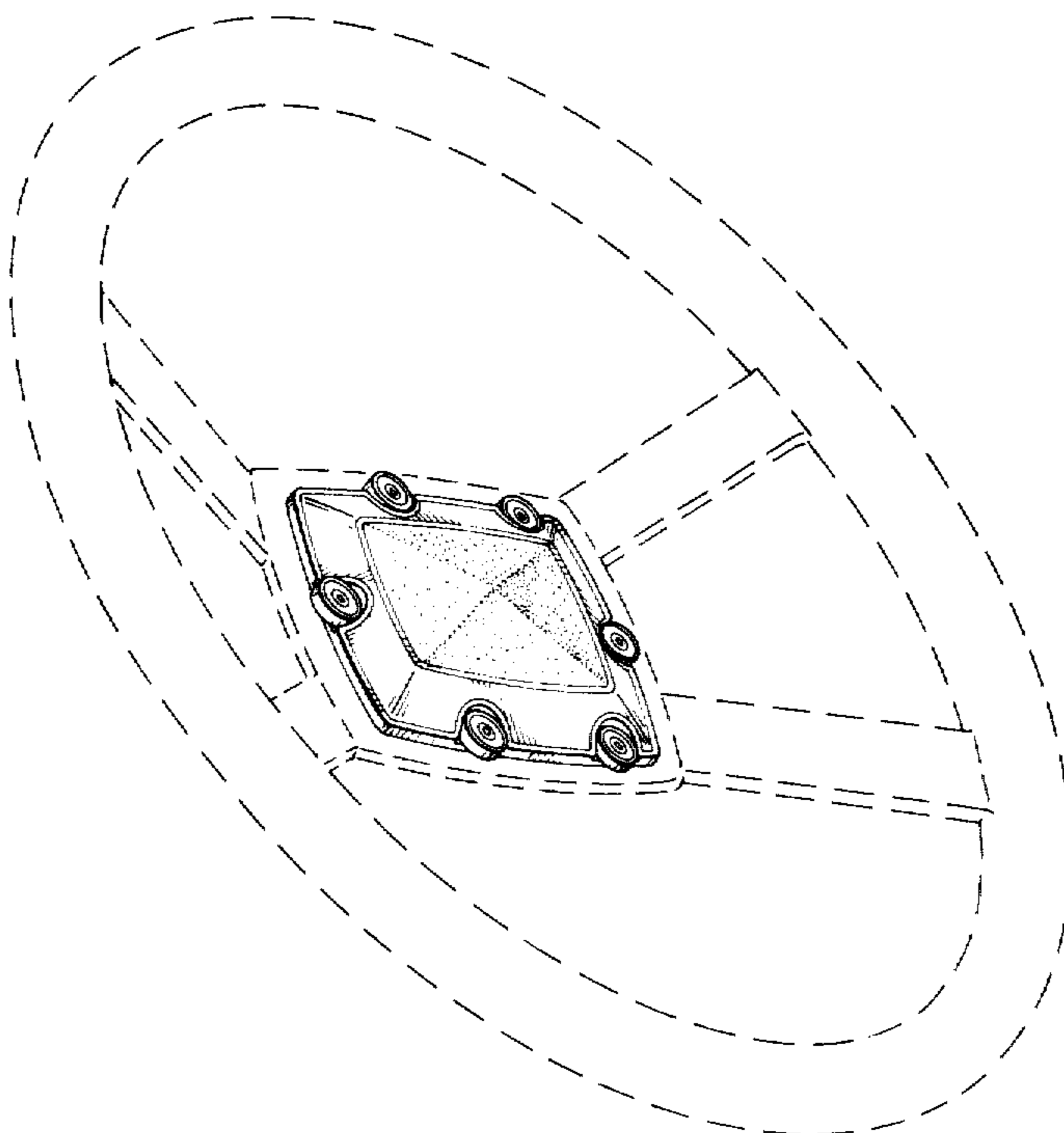
FIG. 1 is a perspective view of a center hub for a steering wheel showing our new design, it being understood that the broken lines are for illustrative purposes only;

FIG. 2 is a top plan view thereof;

FIG. 3 is a front elevational view thereof, it being understood that the rear is a mirror image of the front as shown; and

FIG. 4 is a right side elevational view thereof, it being understood that the left side is a mirror image of the right side as shown.

The bottom of the center hub for a steering wheel is understood to be flat and unornamented.



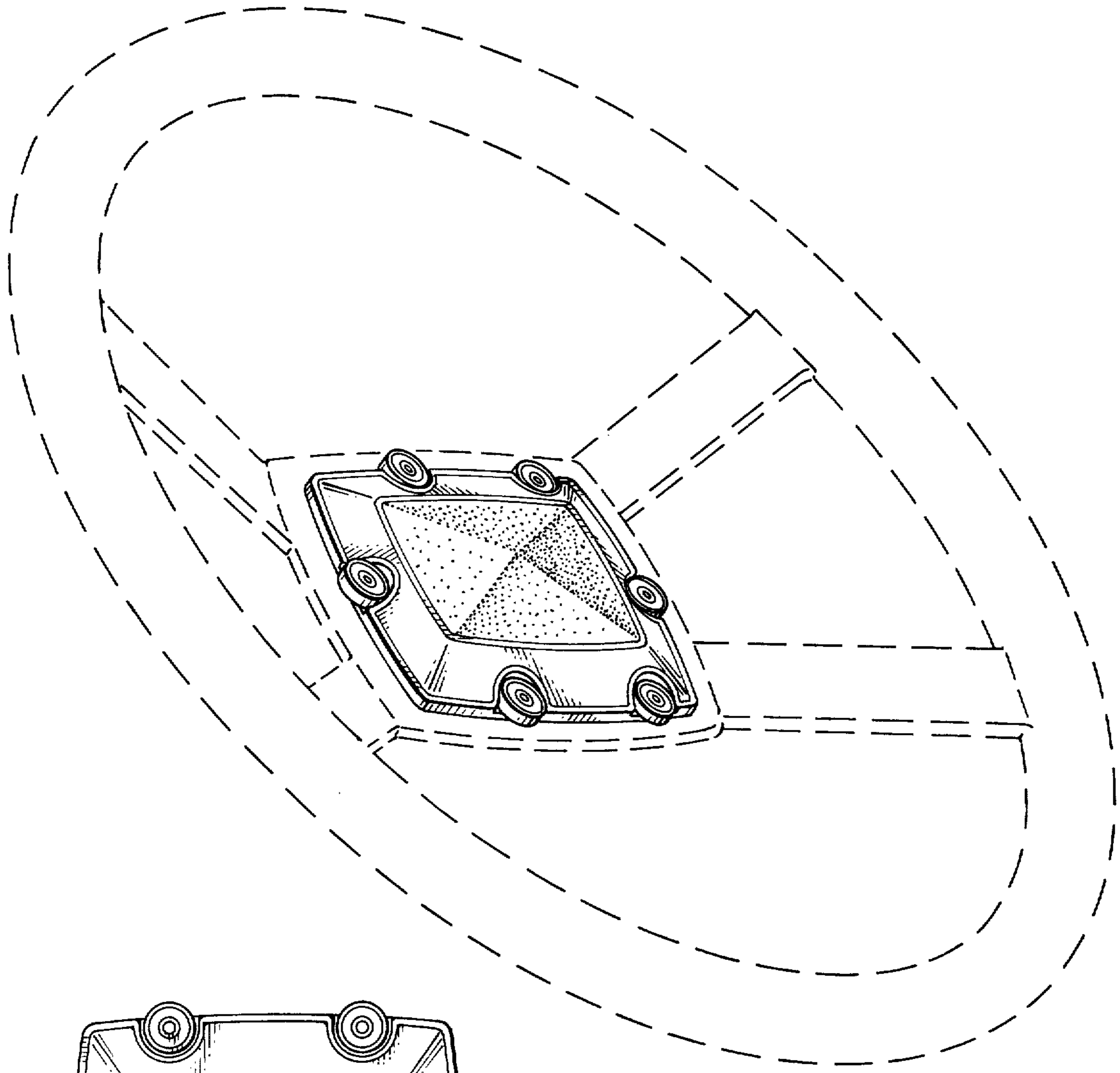


FIG . 1.

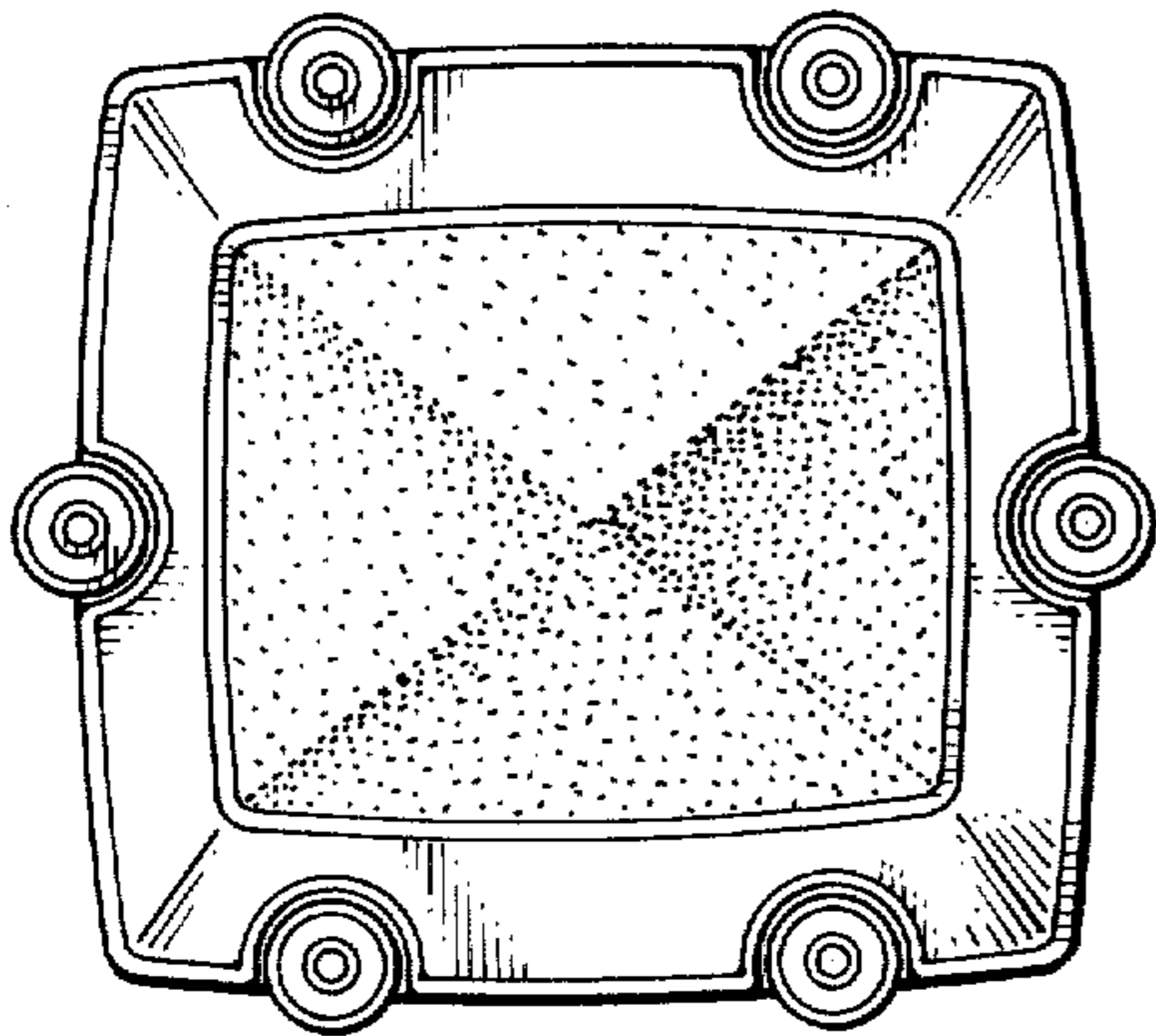


FIG . 2.



FIG . 3.



FIG . 4.