

- [54] TIRE
- [75] Inventor: **Claude A. Hart**, Sutton Coldfield, England
- [73] Assignee: **Dunlop Limited**, London, England
- [\*\*] Term: **14 Years**
- [21] Appl. No.: **167,062**
- [22] Filed: **Jul. 9, 1980**
- [30] **Foreign Application Priority Data**  
Feb. 2, 1980 [GB] United Kingdom ..... 80993439
- [51] Int. Cl. .... **D12-15**
- [52] U.S. Cl. .... **D12/146; D12/147**
- [58] Field of Search ..... **D12/134, 141-143, D12/145-151; 152/209 R, 209 NT, 209 WT, 209 D**
- [56] **References Cited**  
**U.S. PATENT DOCUMENTS**  
D. 233,427 10/1974 Montagne ..... D12/146

OTHER PUBLICATIONS

1979 Tread Design Guide, p. 82, Sonic Super Trac Tire, bottom left side of page.  
1979 Tread Design Guide, p. 123. Goodyear Traction Road Lug SS Tire, bottom center of page.  
1979 Tread Design Guide, p. 166, National Steel Radial Cross Bar Tire, second row up from bottom at left side of page.

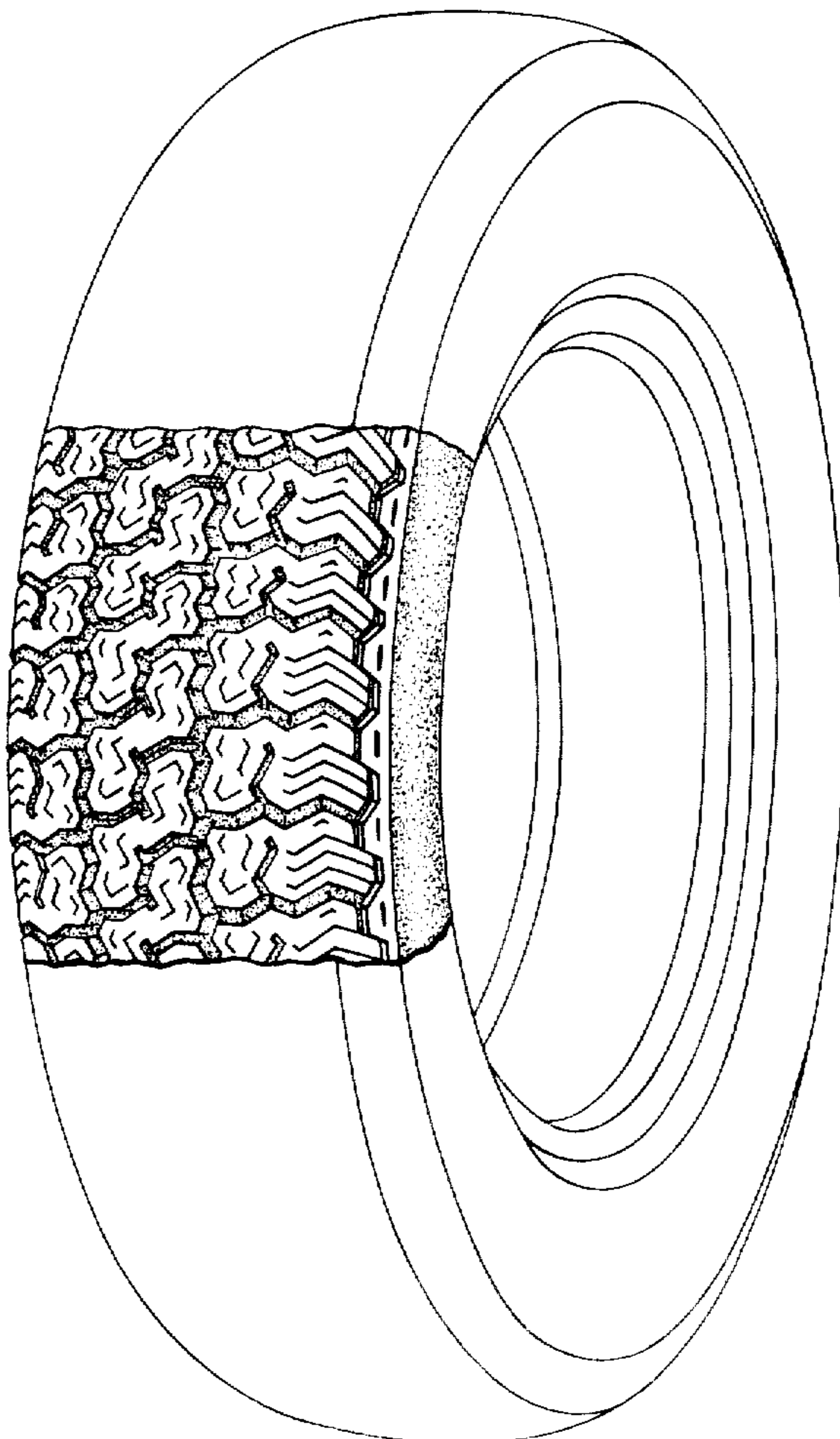
Primary Examiner—James M. Gandy  
Attorney, Agent, or Firm—Stevens, Davis, Miller & Mosher

CLAIM

[57] The ornamental design for a tire, as shown and described.

DESCRIPTION

FIG. 1 is a perspective view of a tire showing my new design, it being understood that the tread design is repeated throughout the circumference of the tire as shown schematically by solid lines, the opposite side being substantially the same as that shown; FIG. 2 is a plan view thereof; and FIG. 3 is a side elevational view thereof.



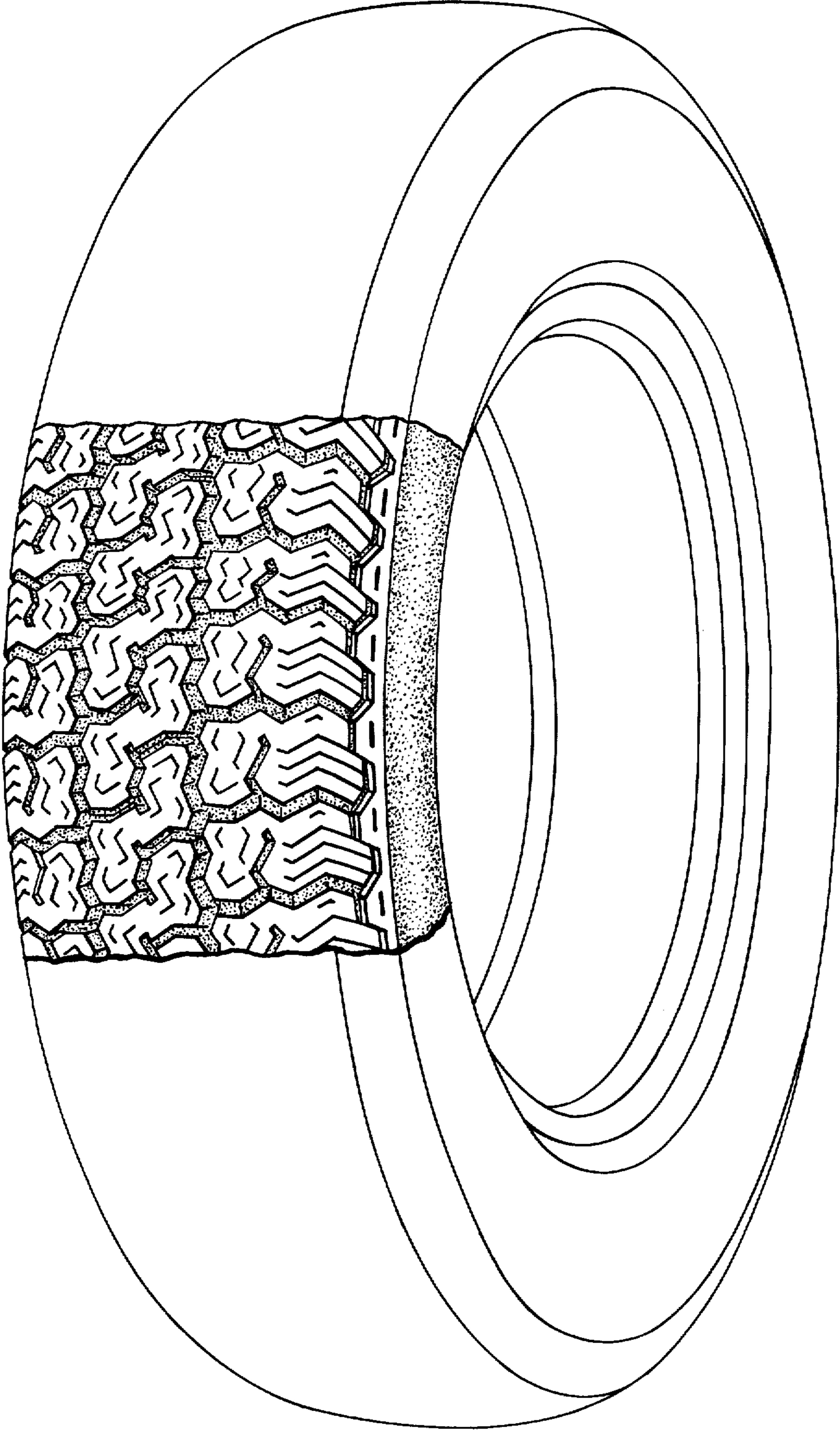


FIG. 1

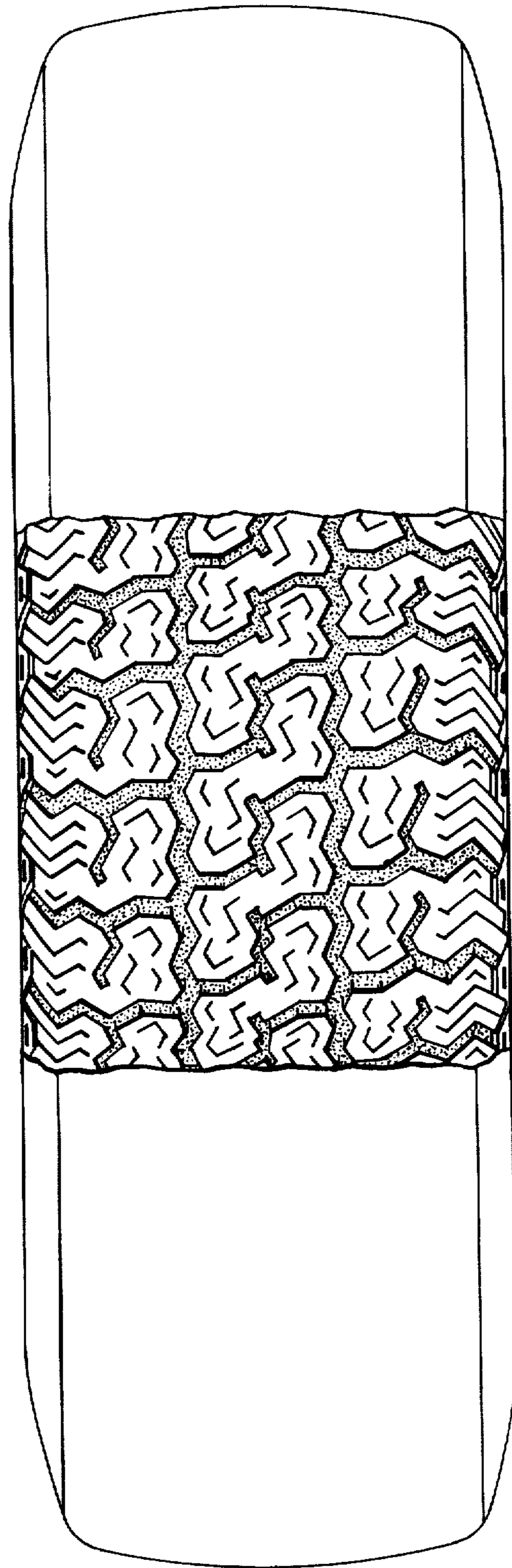


FIG. 2

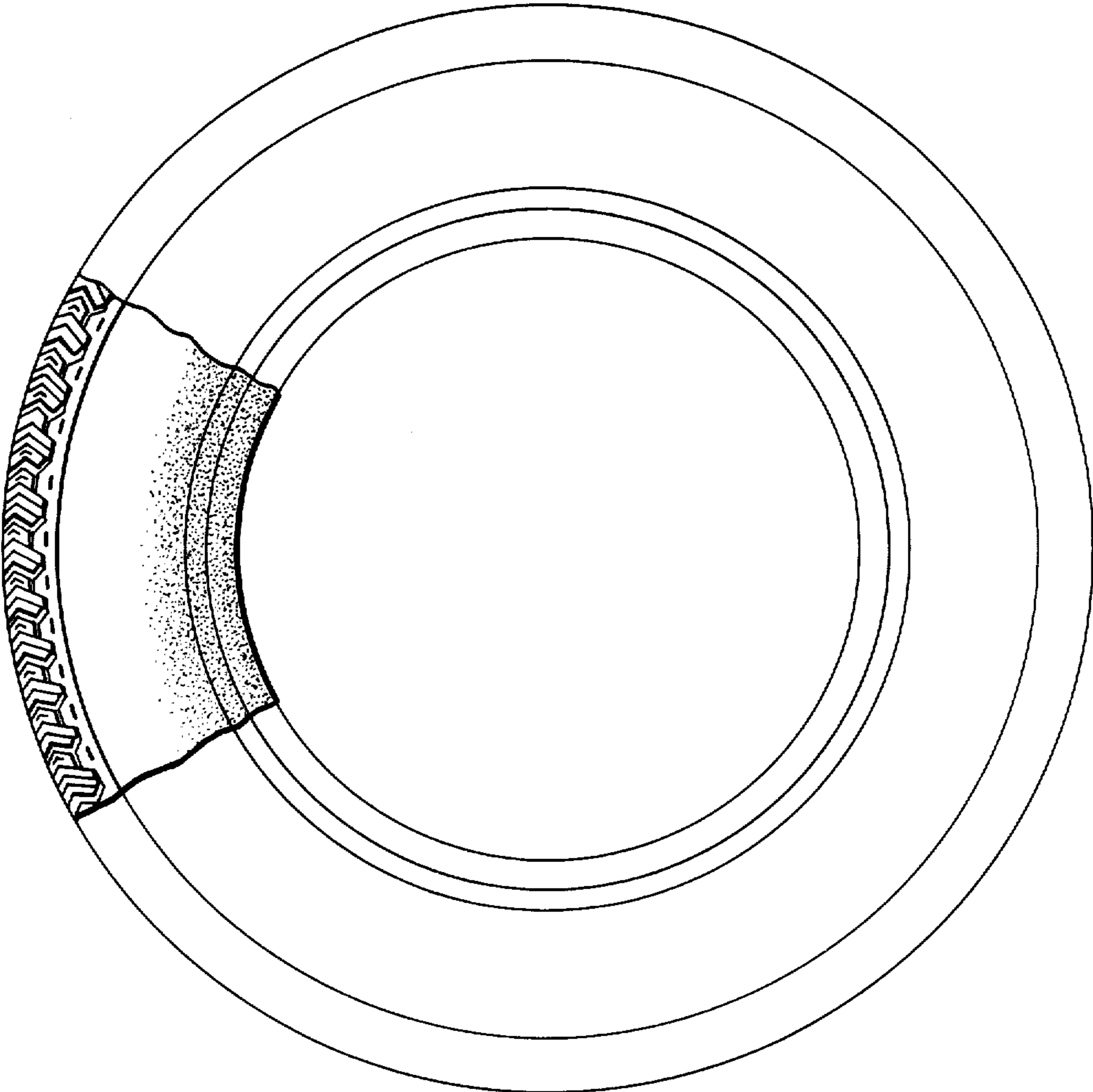


FIG.3