

[54] BOTTLE
[75] Inventors: Warren J. Schieser, Dublin; Craig L. Duffey, Galena, both of Ohio

D. 99,819 5/1936 McLaughlin D9/408
D. 140,741 4/1945 Serra D9/408
D. 244,427 5/1977 Schieser et al. D9/391
D. 257,477 11/1980 De Luca D9/408

[73] Assignee: Liqui-Box Corporation, Worthington, Ohio

Primary Examiner—Robert C. Spangler
Attorney, Agent, or Firm—William V. Miller

[**] Term: 14 Years

[57] CLAIM

[21] Appl. No.: 153,191

The ornamental design for a bottle, substantially as shown.

[22] Filed: May 27, 1980

DESCRIPTION

[51] Int. Cl. D9-01
[52] U.S. Cl. D9/401; D9/407; D9/408; D9/411
[58] Field of Search D9/391, 386, 401, 409, D9/408, 407, 411; 215/1 R, 1 C

FIG. 1 is a perspective view of a bottle showing our new design;
FIG. 2 is a face elevational view.
FIG. 3 is a side elevational view.
FIG. 4 is a plan view.
FIG. 5 is a bottom view.
FIG. 6 is an elevational view of the face opposite to that of FIG. 2.
FIG. 7 is a vertical sectional view taken along line 7-7 of FIG. 4.

[56] References Cited
U.S. PATENT DOCUMENTS

D. 93,687 10/1934 Steelman D9/408

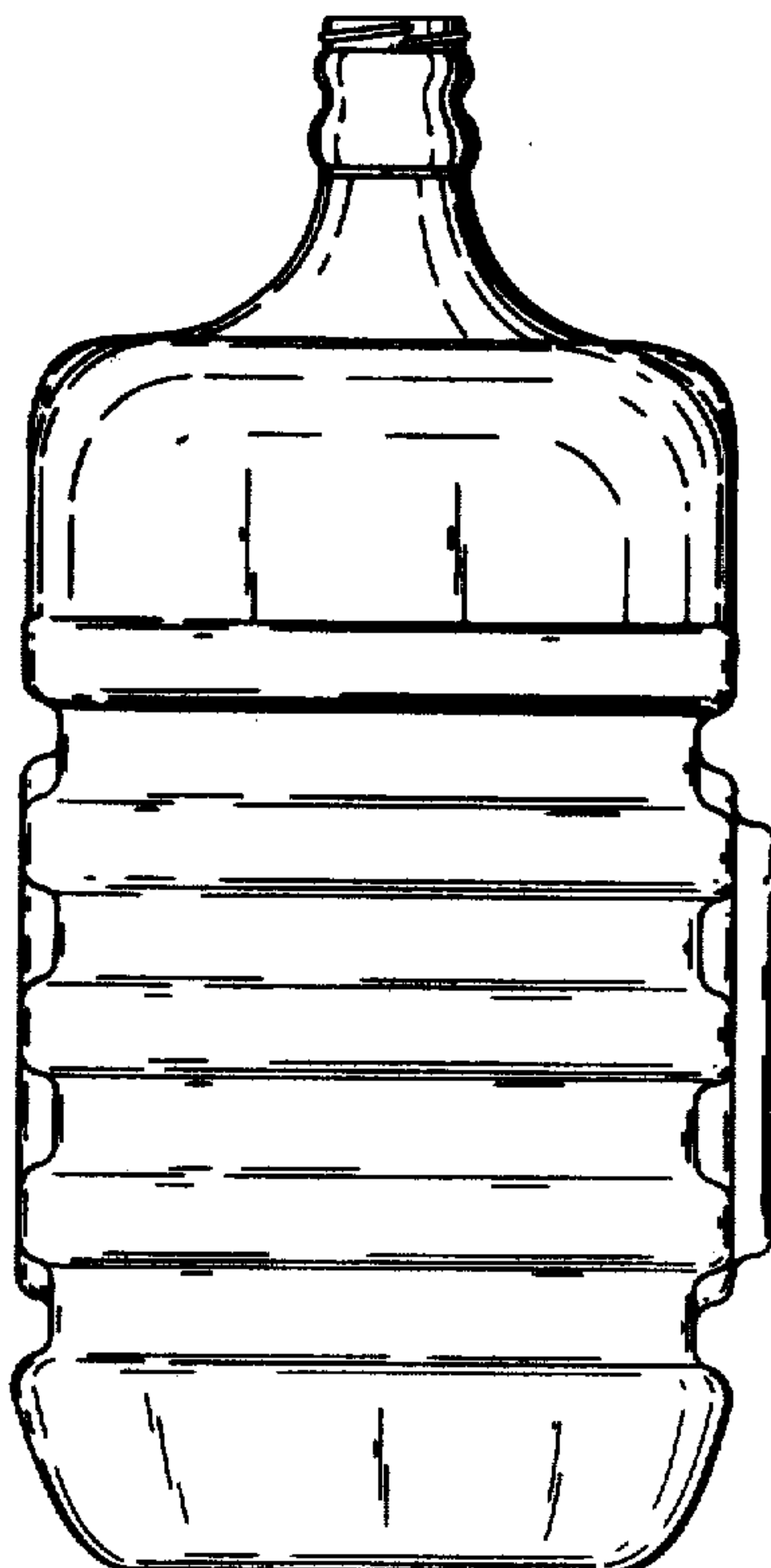
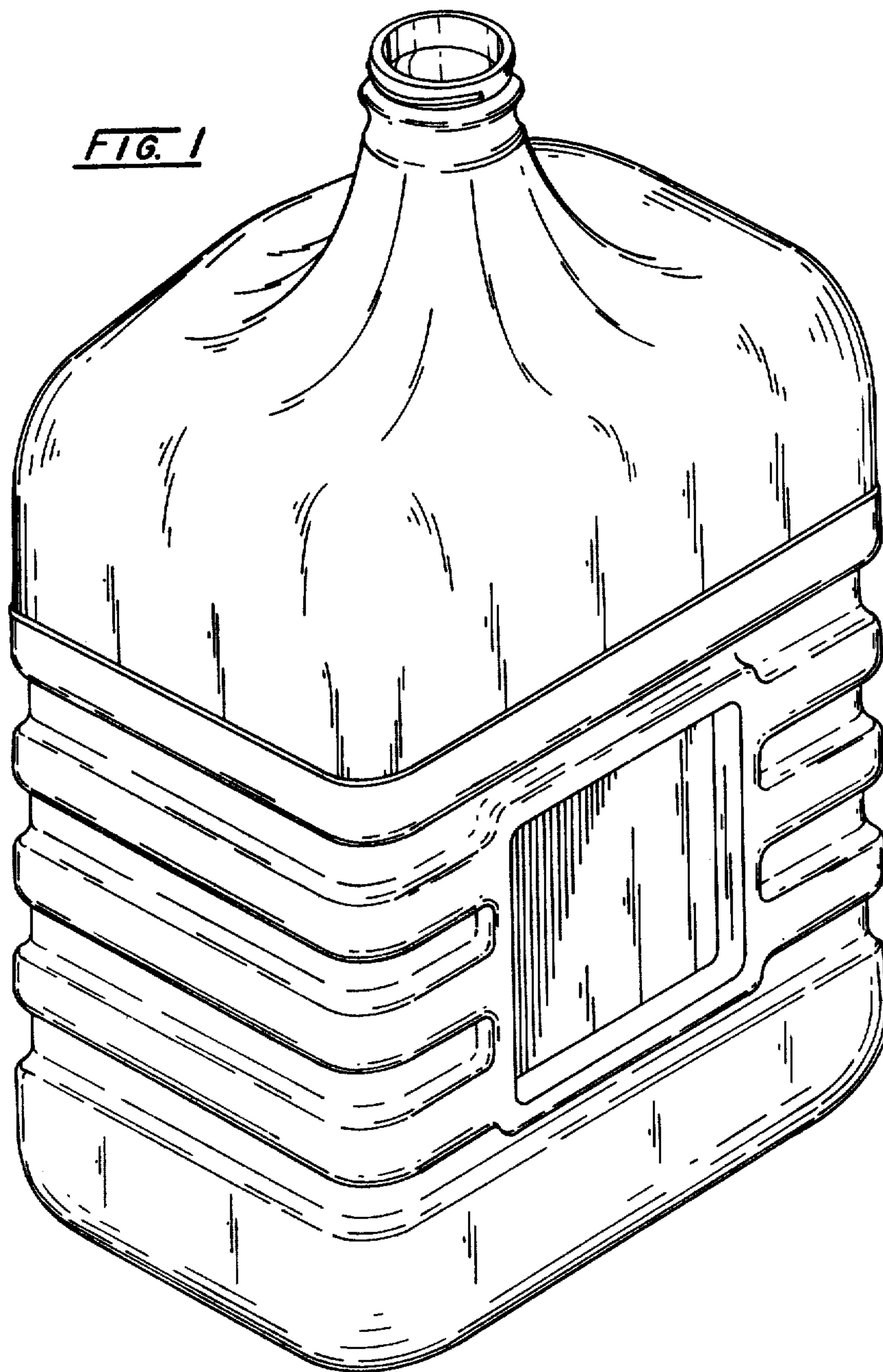
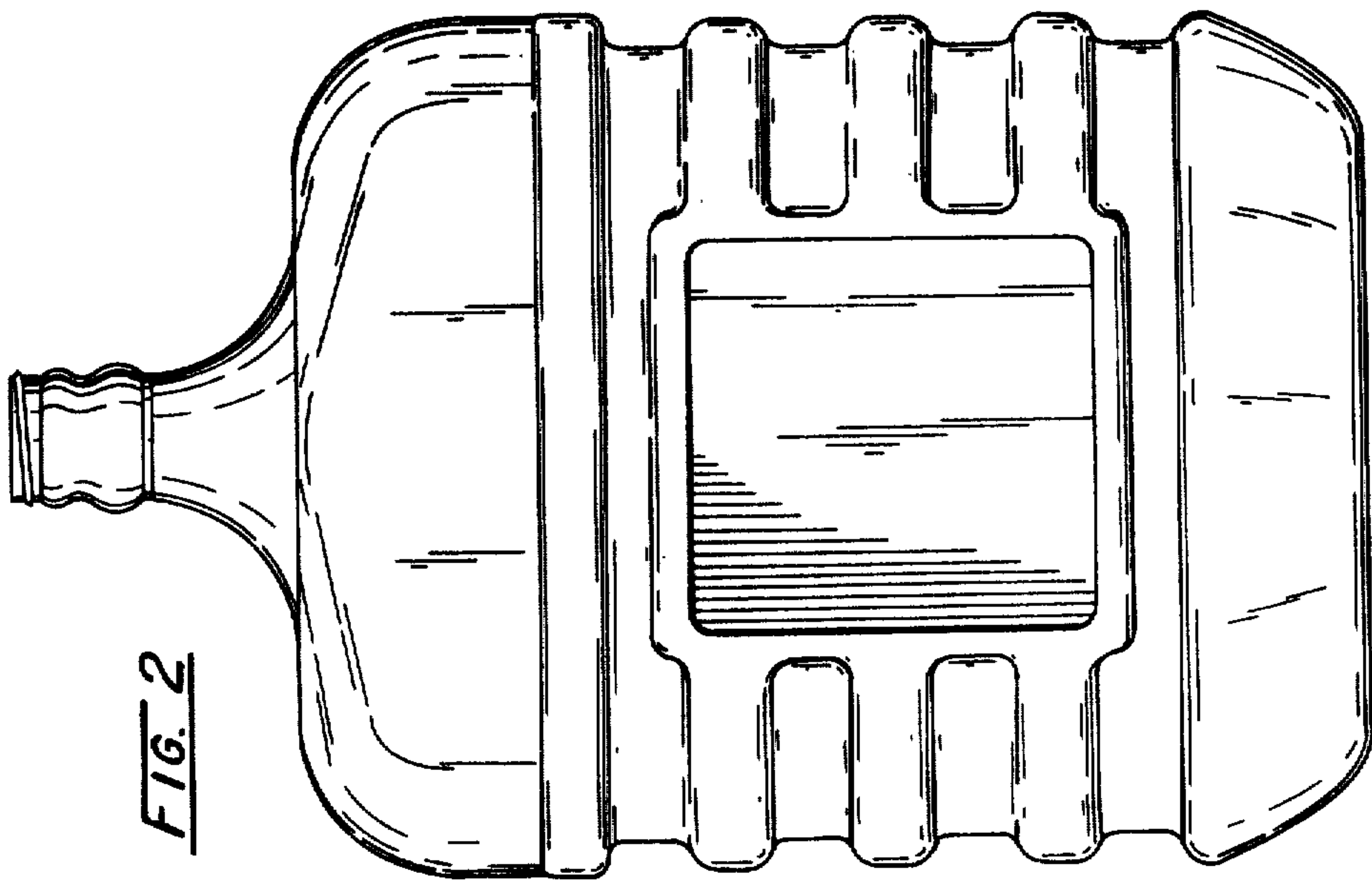
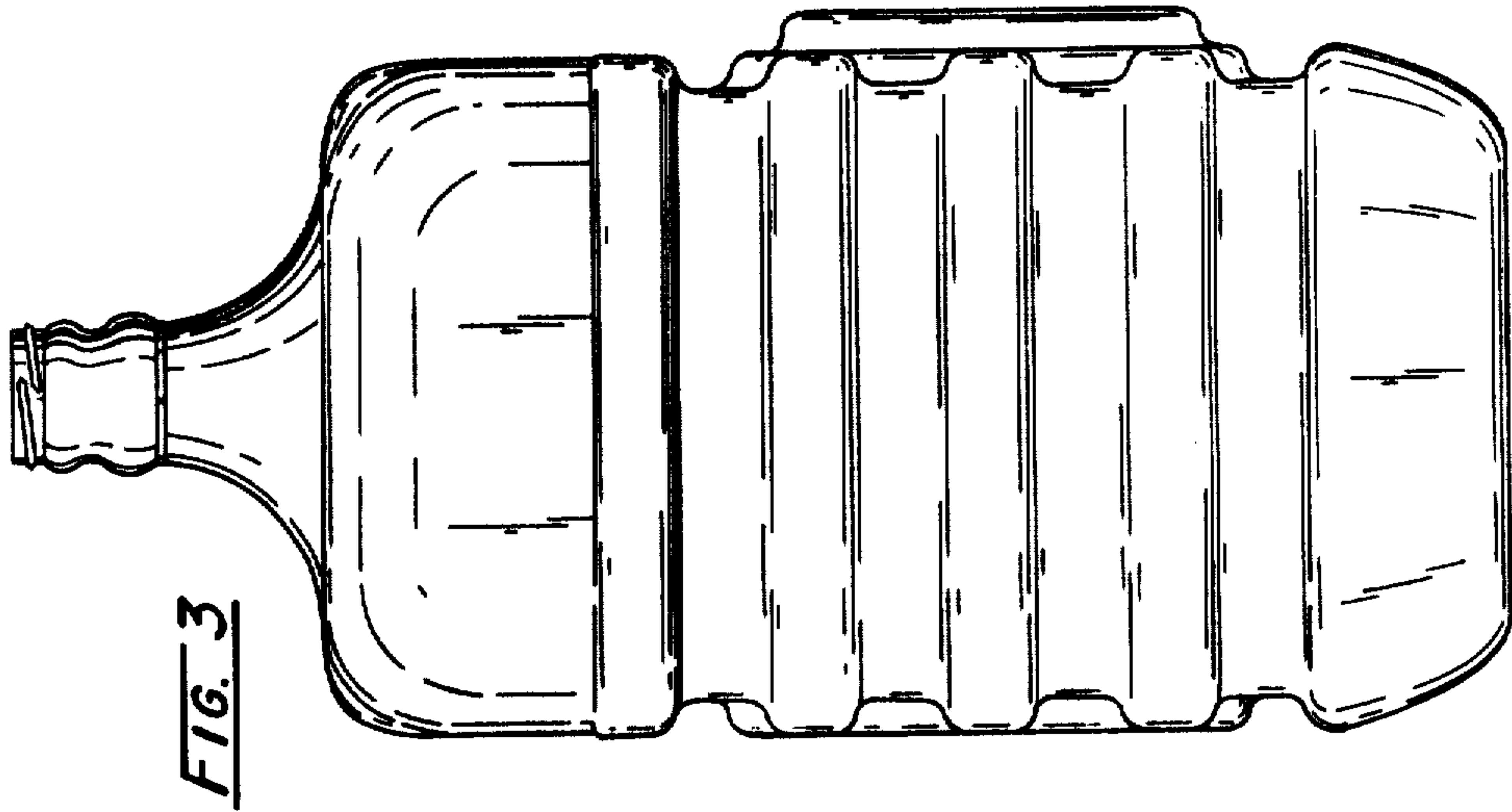
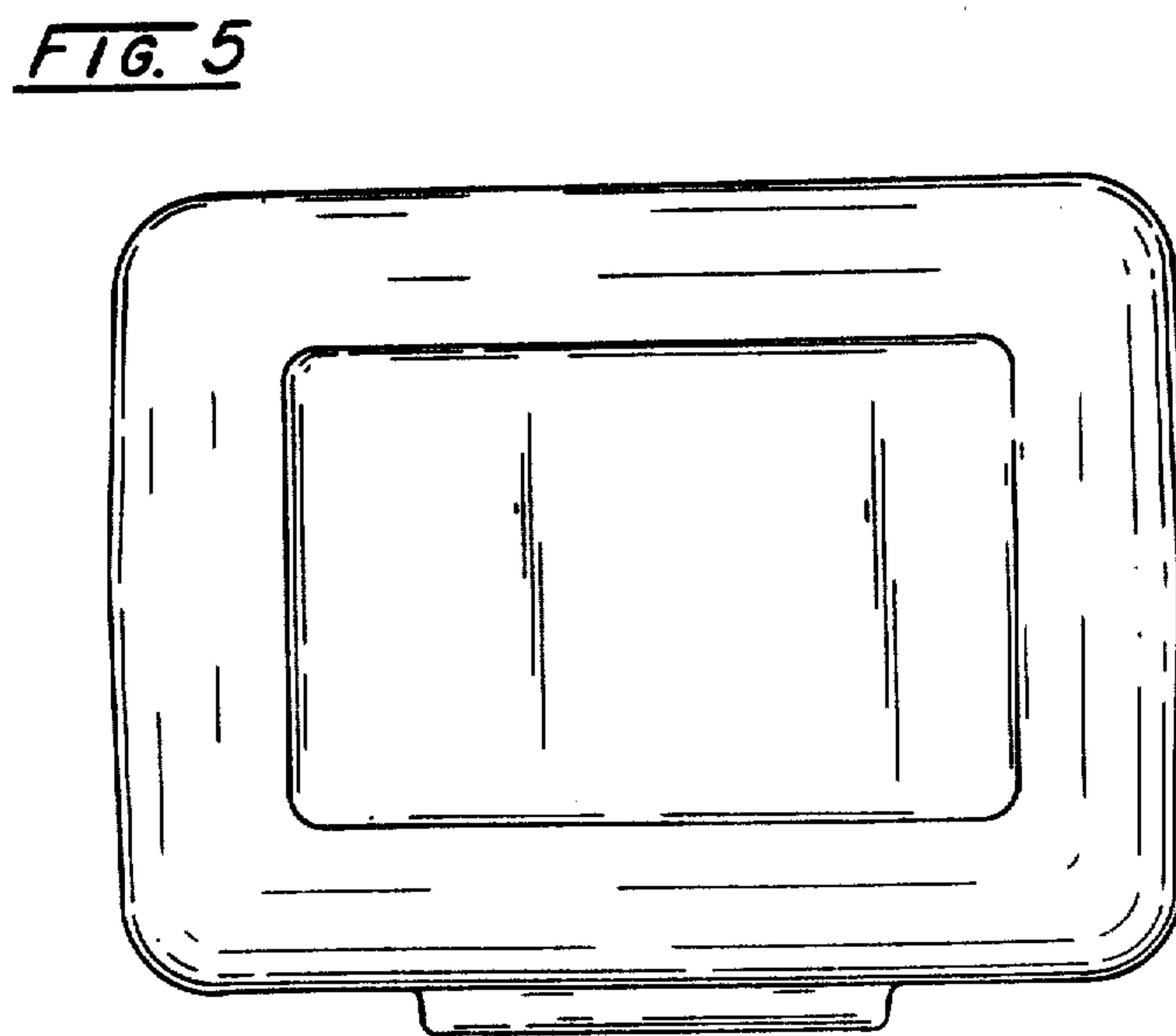
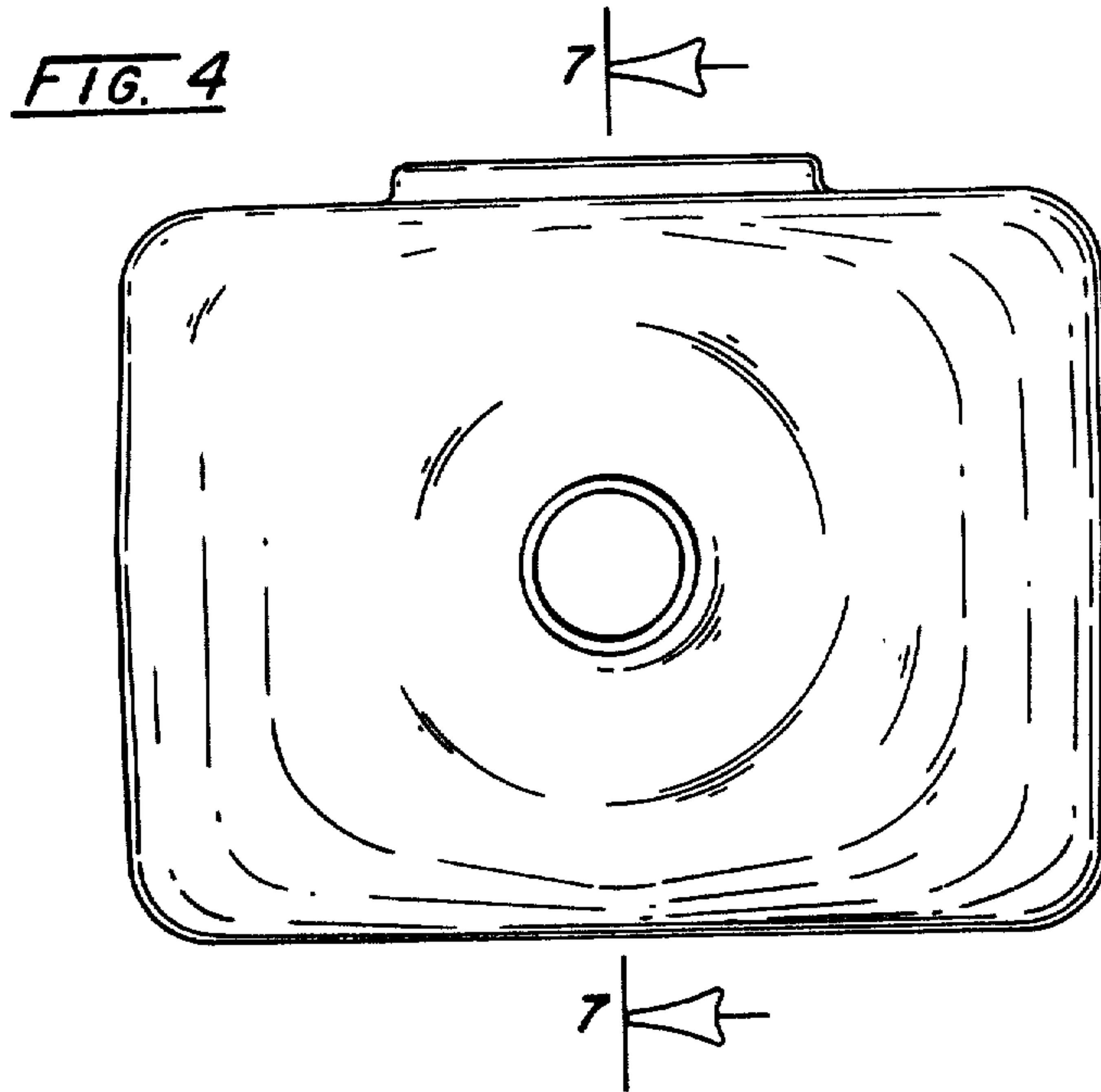


FIG. 1







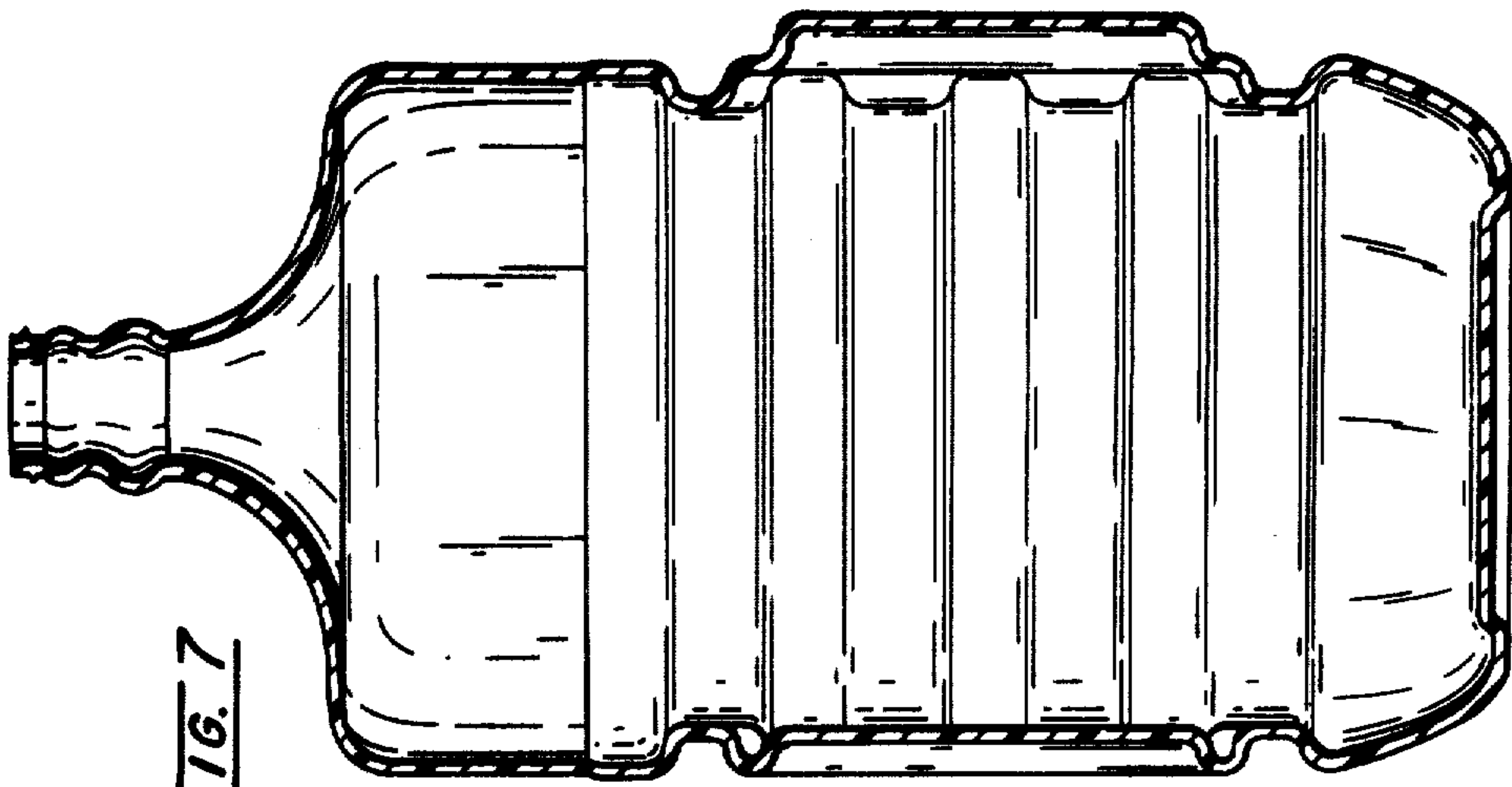


FIG. 7

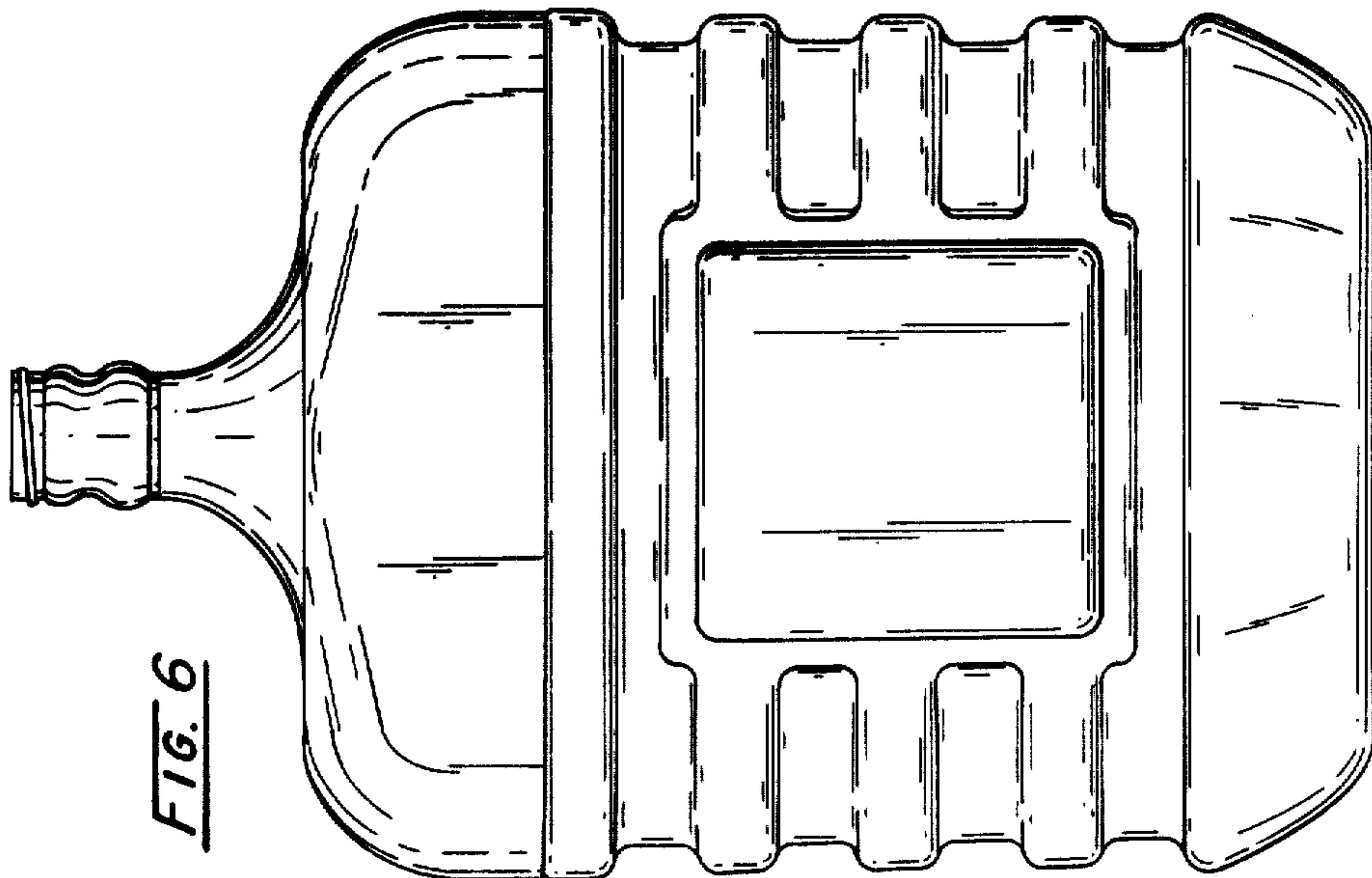


FIG. 6