

- [54] **BOTTLE OR THE LIKE**
 [75] Inventor: **Hugh J. Stock, Saratoga, Calif.**
 [73] Assignee: **Pacer Technology and Resources, Inc., Campbell, Calif.**
 [**] Term: **14 Years**
 [21] Appl. No.: **180,665**
 [22] Filed: **Aug. 25, 1980**
 [51] Int. Cl. **D9-01**
 [52] U.S. Cl. **D9/370; D9/401; D9/413; D9/447; D9/453**
 [58] Field of Search **D9/302, 349-355, D9/399, 413, 370, 377, 453, 435, 436, 447, 454, 401; 215/1 R, 1 C**

[56] **References Cited**
U.S. PATENT DOCUMENTS

- D. 127,479 5/1941 Buckingham D9/352
 D. 172,777 8/1954 Bernabo et al. D9/447
 D. 206,971 2/1967 Williams D9/447
 D. 221,132 7/1971 Schiavone D9/398

- D. 242,223 11/1976 Welker D9/370
 D. 258,494 3/1981 Romagnoli D9/377 X
 3,285,256 11/1966 Despard D9/436 X

OTHER PUBLICATIONS

Modern Packaging, Jul. 1979, p. 54, bottle in lower center, Rockware Plastics Ltd. Adv.

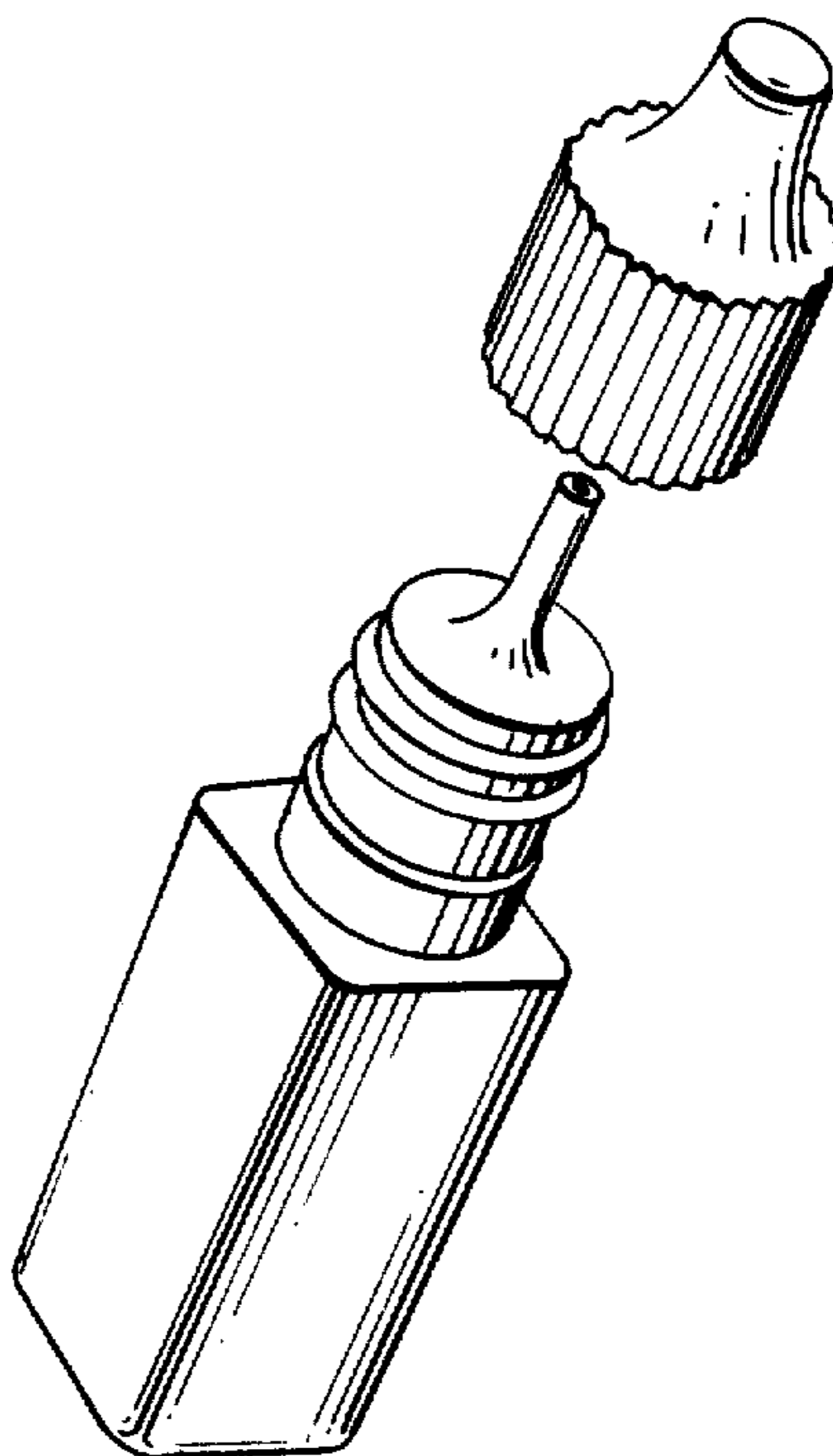
Primary Examiner—Robert C. Spangler
Attorney, Agent, or Firm—Cahill, Sutton & Thomas

[57] **CLAIM**

The ornamental design for a bottle or the like, as shown and described.

DESCRIPTION

FIG. 1 is an exploded perspective view of a bottle or the like showing my new design;
 FIG. 2 is a top plan view;
 FIG. 3 is a side elevational view, the opposite side being the same in appearance;
 FIG. 4 is an elevational view looking from the right of FIG. 3, the opposite side being the same in appearance;
 and
 FIG. 5 is a bottom plan view.



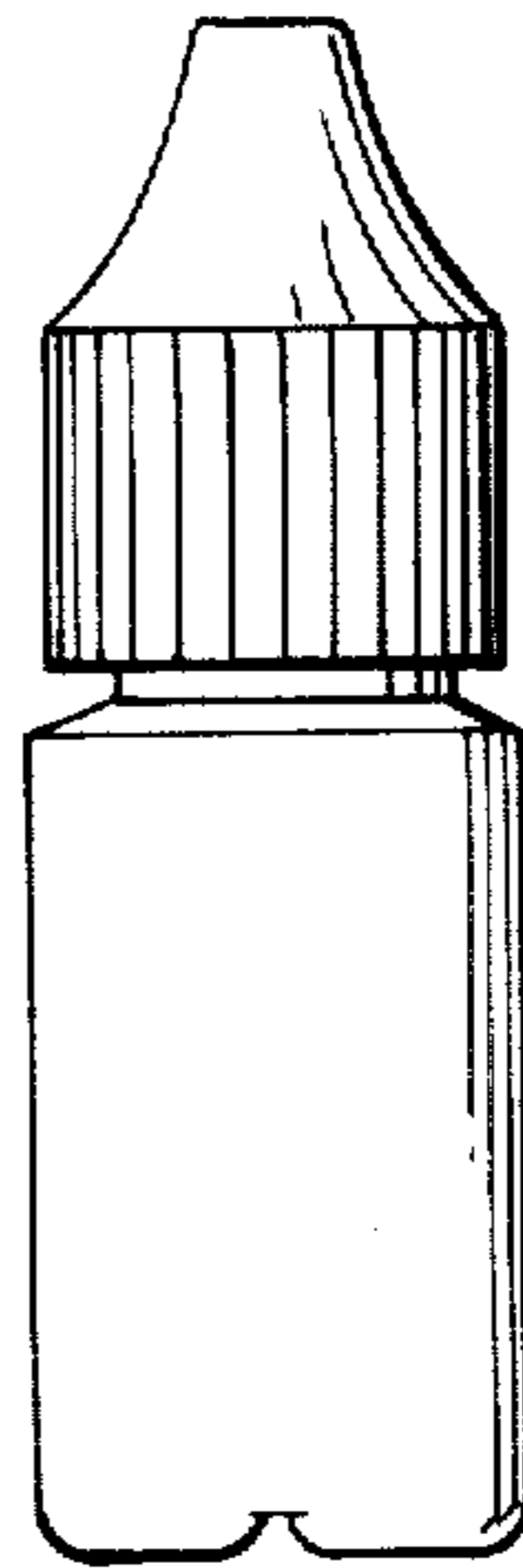
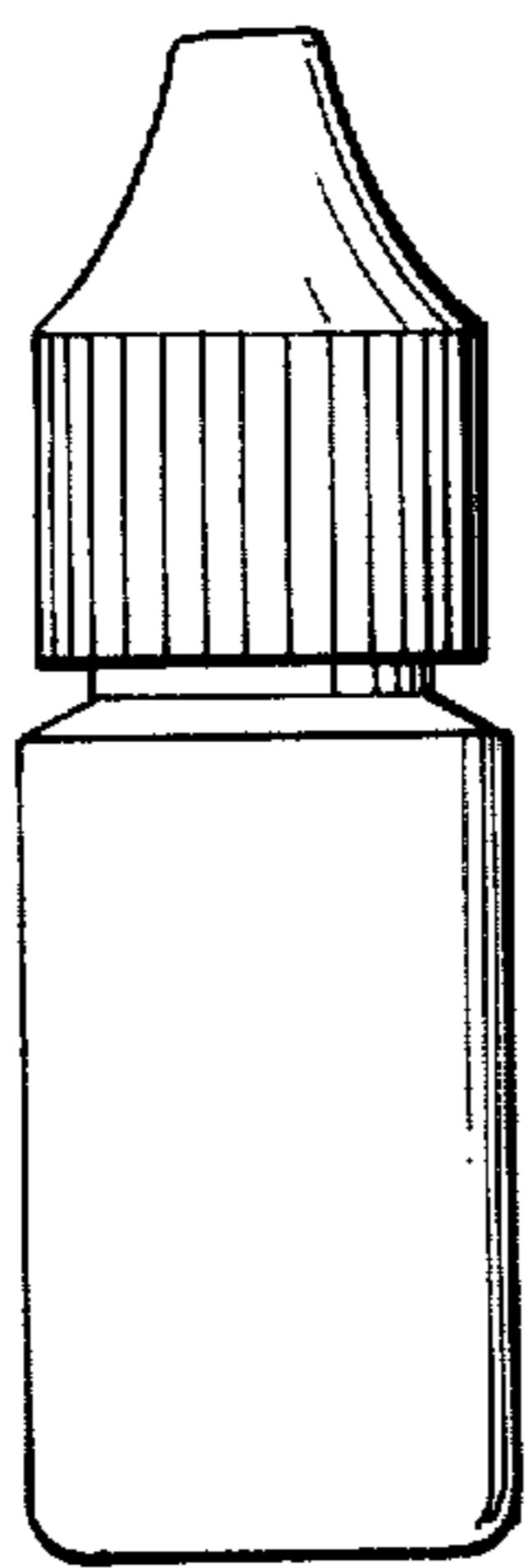
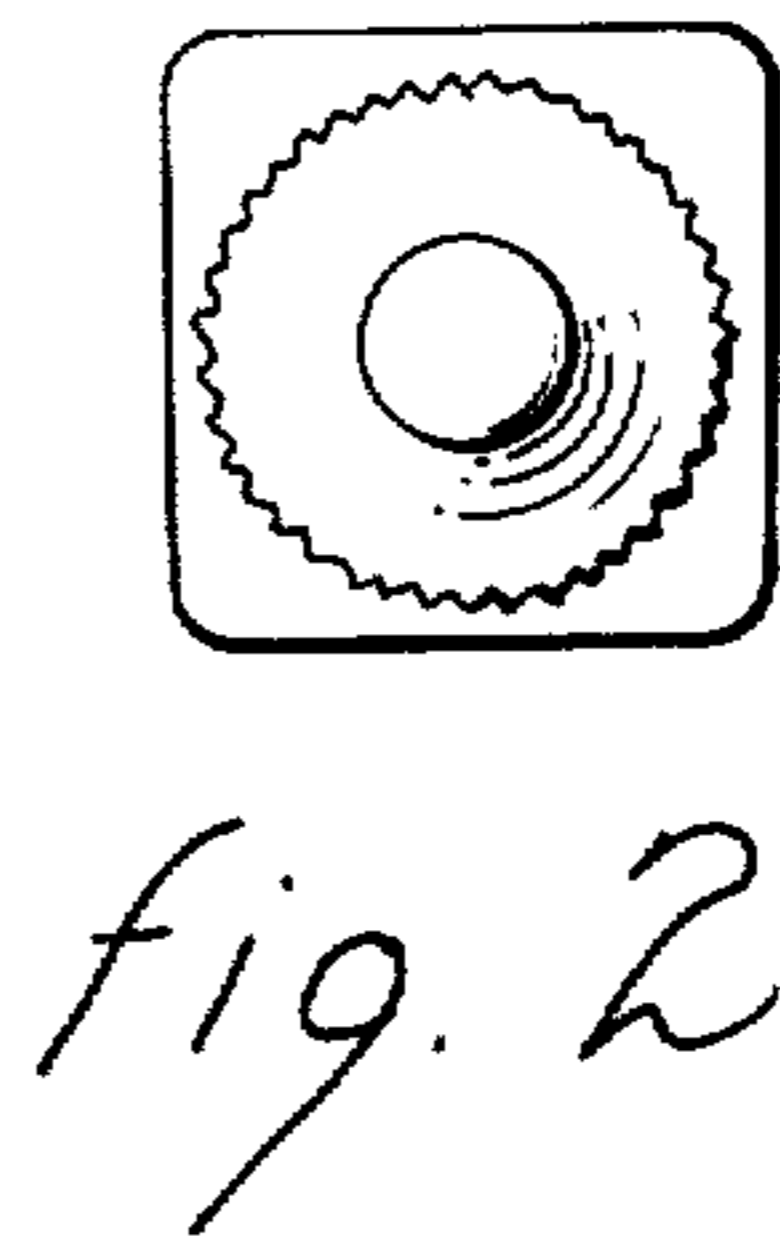
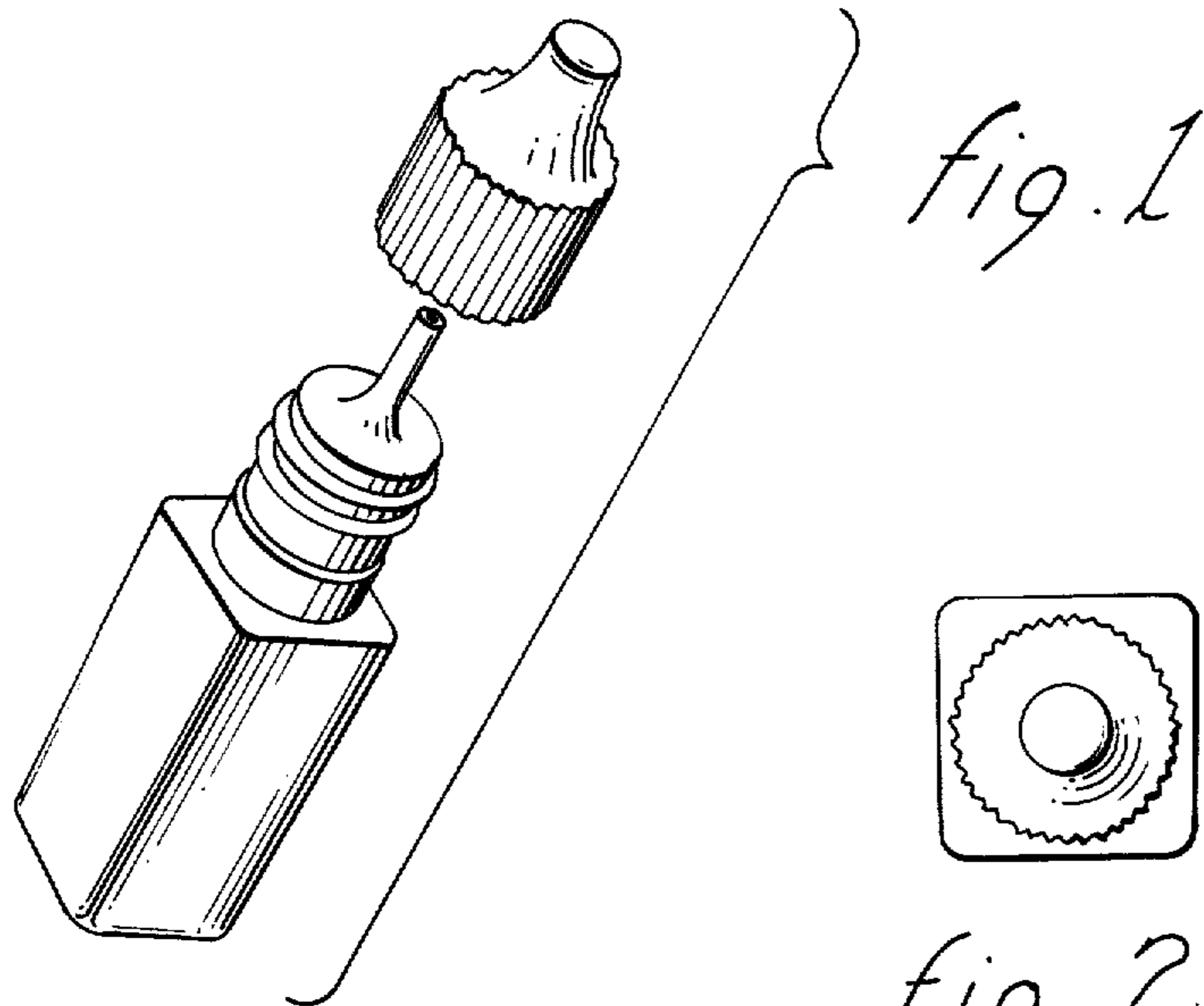


fig. 3

fig. 4

fig. 5

