

[54] **COMBINED SUPPORT AND DISPLAY BRACKET FOR A SELF-CONTAINED BREATHING APPARATUS**

[75] **Inventor: Theodore Ziaylek, Jr., Yardley, Pa.**

[73] **Assignee: Ziamatic Corporation, Yardley, Pa.**

[**] **Term: 14 Years**

[21] **Appl. No.: 159,033**

[22] **Filed: Jun. 13, 1980**

[51] **Int. Cl. D6—04; D8—08**

[52] **U.S. Cl. D8/373; D6/114; D6/125**

[58] **Field of Search D6/85, 114, 125; D8/354, 373, 395, 396; 211/60 R, 74, 76, 87, 88; 248/309 R, 311.2, 312, 312.1, 313, 316 R, 316 D, 316 E, 316 F**

[56] **References Cited**

U.S. PATENT DOCUMENTS

D. 235,619	7/1975	Ziaylek	D8/373
1,929,562	10/1933	Pierce	248/312.1
3,033,404	5/1962	Adell	248/311.2
3,212,661	10/1965	Adell	248/313
3,794,285	2/1974	Barts	248/311.2

Primary Examiner—B. J. Bullock

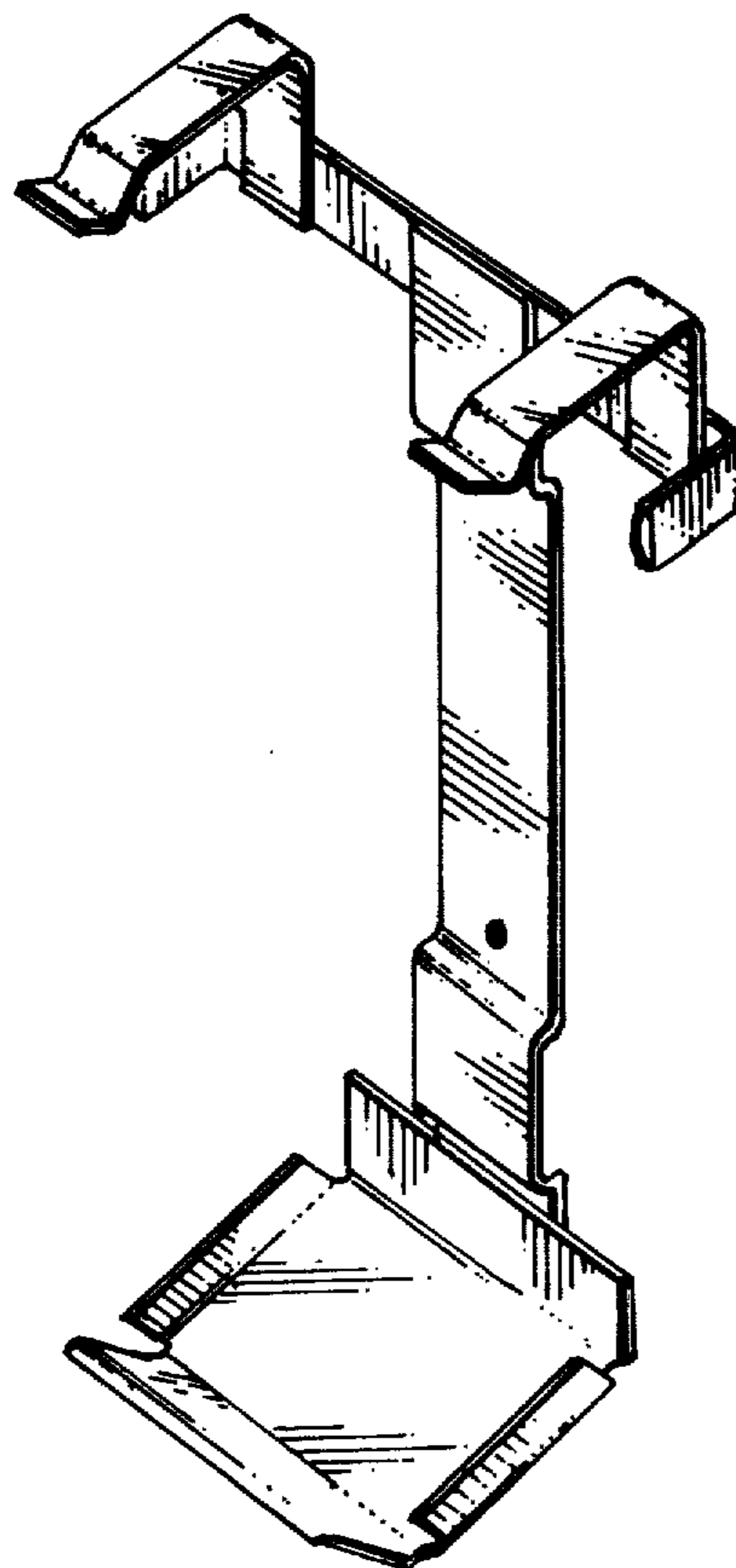
Attorney, Agent, or Firm—Frederick A. Zoda; John J. Kane; Albert Sperry

[57] **CLAIM**

The ornamental design for a combined support and display bracket for self-contained breathing apparatus, as shown and described.

DESCRIPTION

FIG. 1 is a front perspective view of a combined support and display bracket for self-contained breathing apparatus embodying my new design; FIG. 2 is a front elevational view thereof; FIG. 3 is a side elevational view taken from the left of FIG. 1; FIG. 4 is a top plan view thereof.



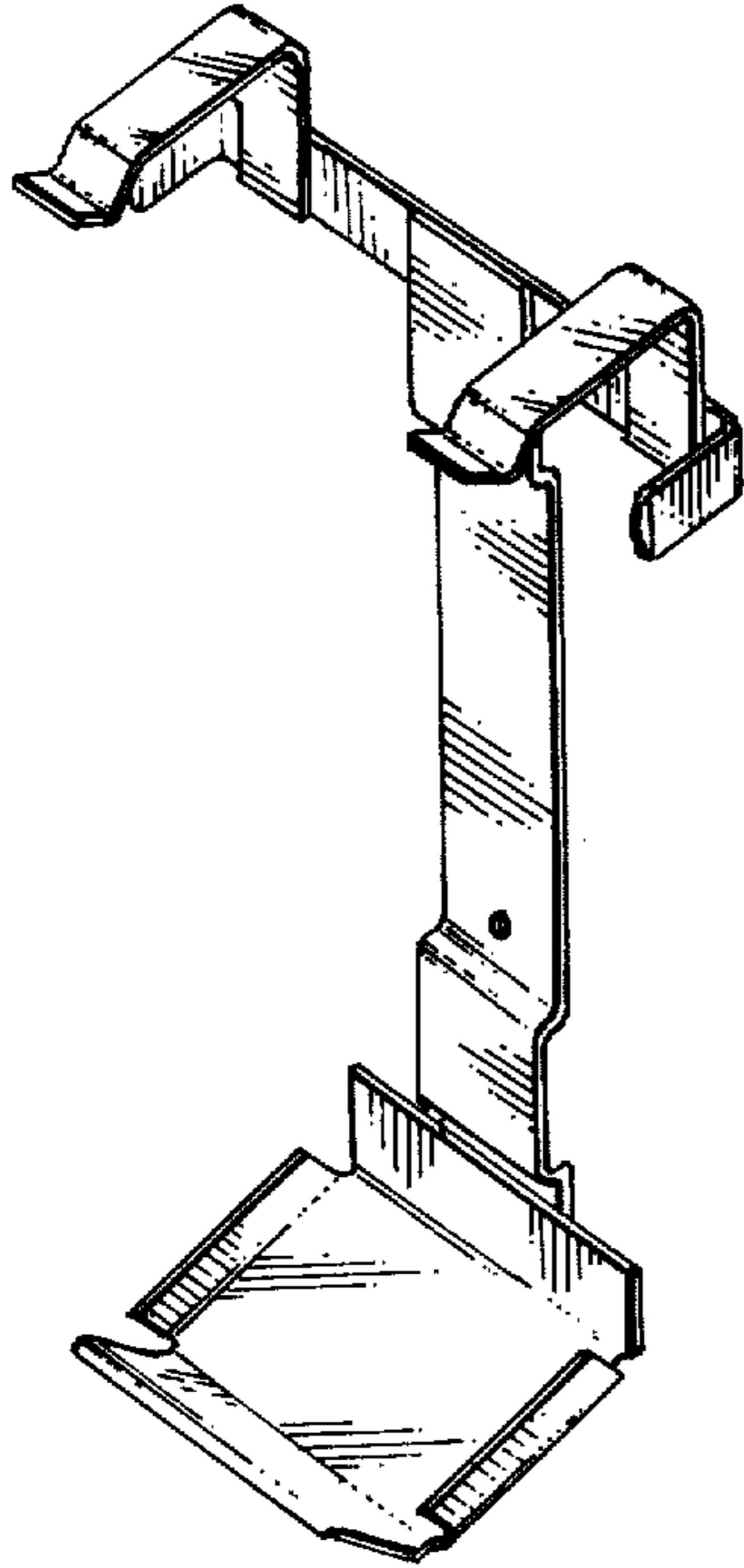


Fig. 1.

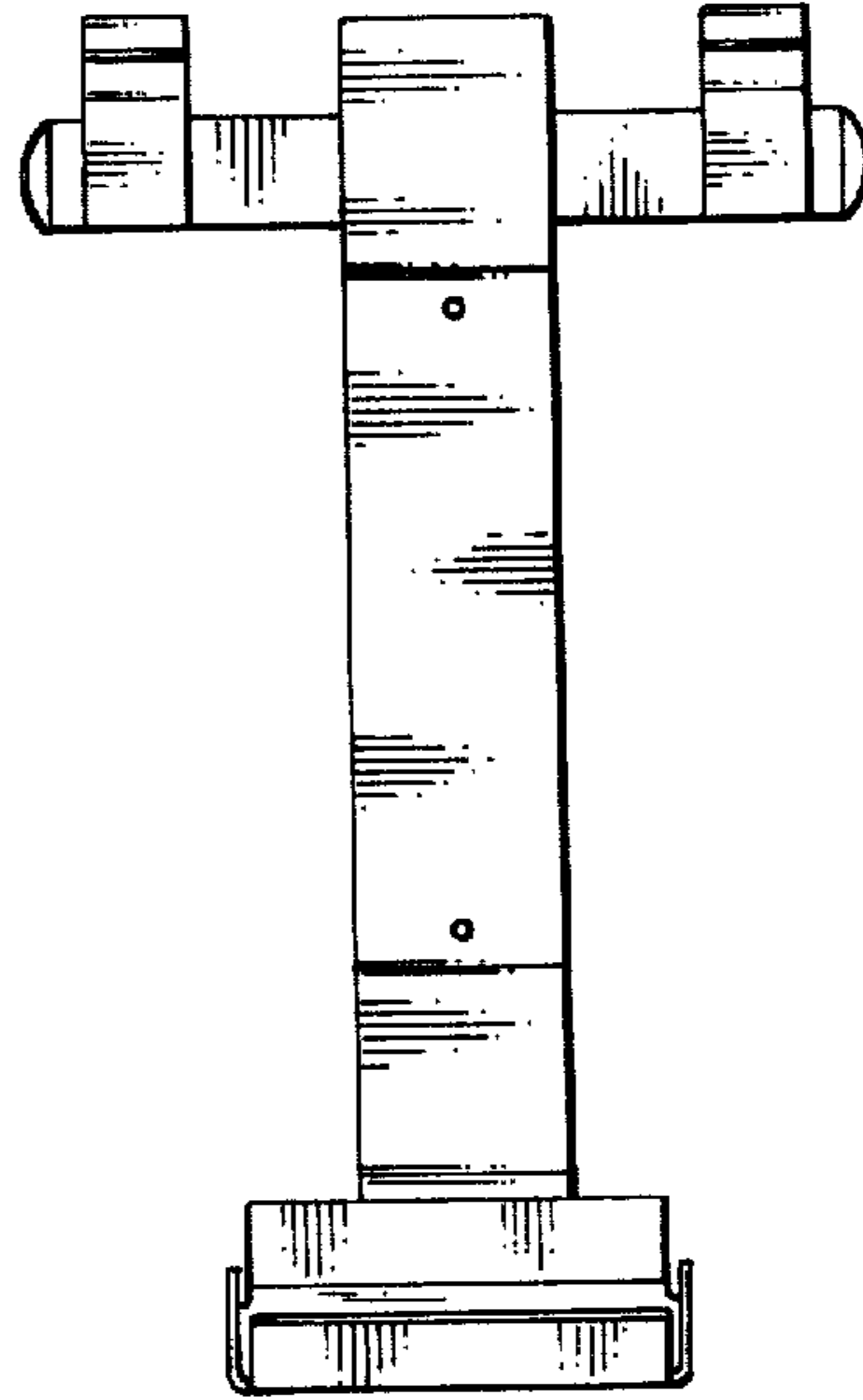


Fig. 2.

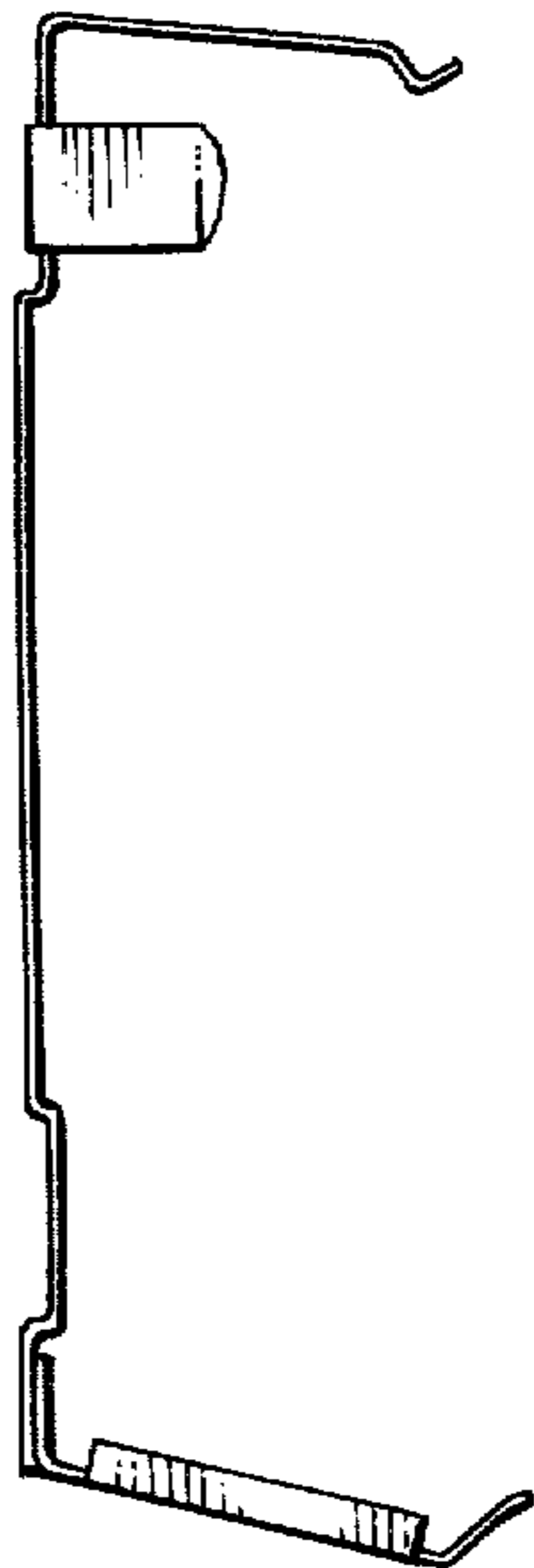


Fig. 3.

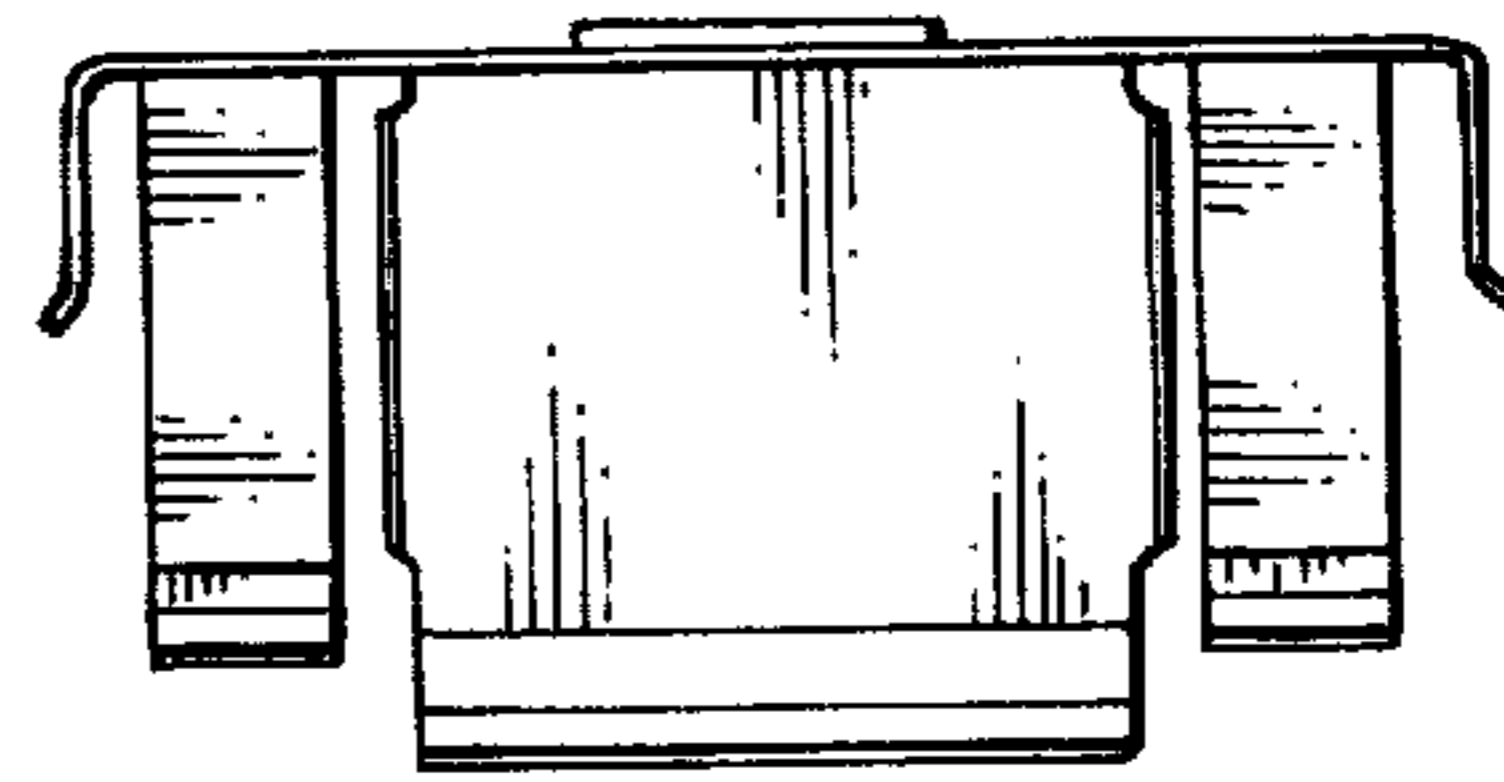


Fig. 4.