

[54] EMERGENCY EXIT DOOR LATCH WITH PANIC BAR

[75] Inventors: Joseph T. Miller, Frederick; Roy E. VanDerLinden, New Windsor, both of Md.

[73] Assignee: Reliable Security Systems, Cockeysville, Md.

[**] Term: 14 Years

[21] Appl. No.: 80,251

[22] Filed: Oct. 1, 1979

[51] Int. Cl. D8-07

[52] U.S. Cl. D8/315

[58] Field of Search 292/92; 70/92; D8/331, D8/315

[56] References Cited

U.S. PATENT DOCUMENTS

D. 228,734 10/1973 Horgan D8/315

3,464,728 9/1969 Ruckel et al. 292/92
3,663,047 5/1972 Zawadzki 292/92
4,083,590 4/1978 Folger 292/92

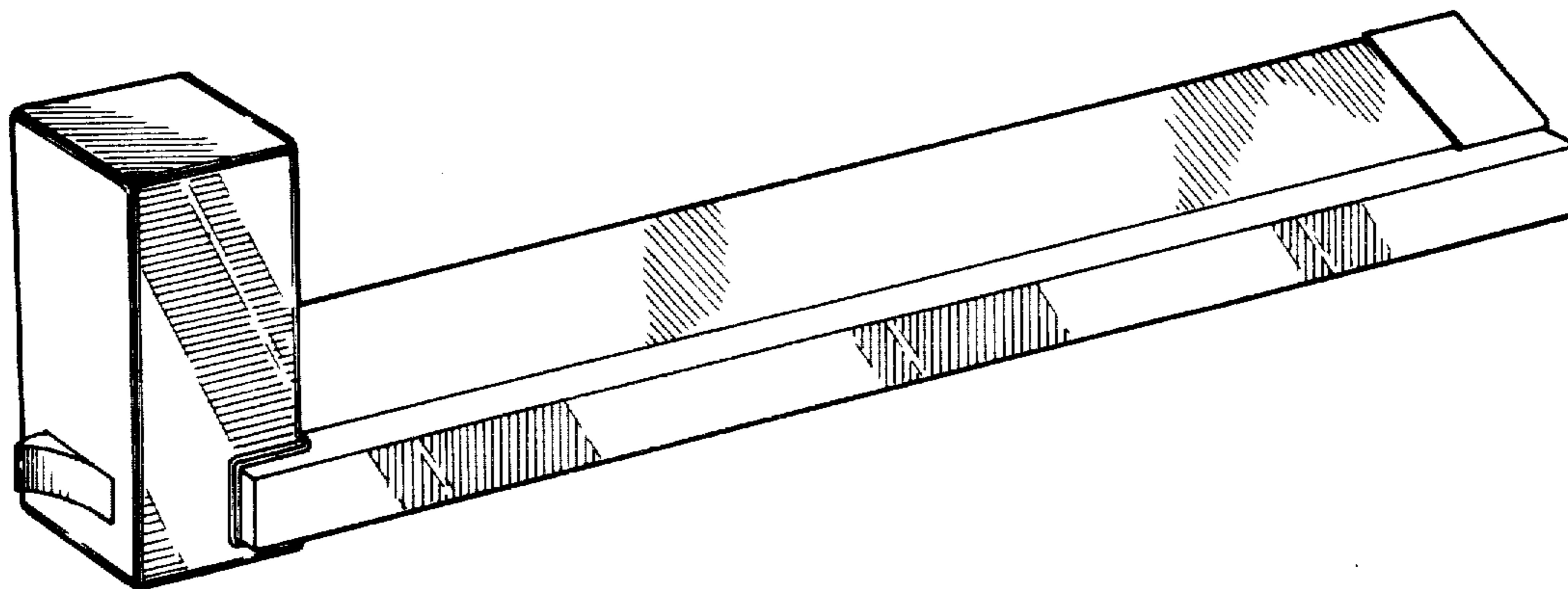
Primary Examiner—A. Hugo Word
Attorney, Agent, or Firm—Quaintance & Murphy

[57] CLAIM

The ornamental design for an emergency exit door latch with panic bar, as shown and described.

DESCRIPTION

FIG. 1 is a front view of the emergency exit door latch with panic bar;
FIG. 2 is a top view of the emergency exit door latch with panic bar, the bottom view being substantially identical to the top view;
FIG. 3 is an end view of one end of the emergency exit door latch with panic bar;
FIG. 4 is an end view of the other end of the emergency exit door latch with panic bar, and
FIG. 5 is a perspective view of the emergency exit door latch with panic bar.



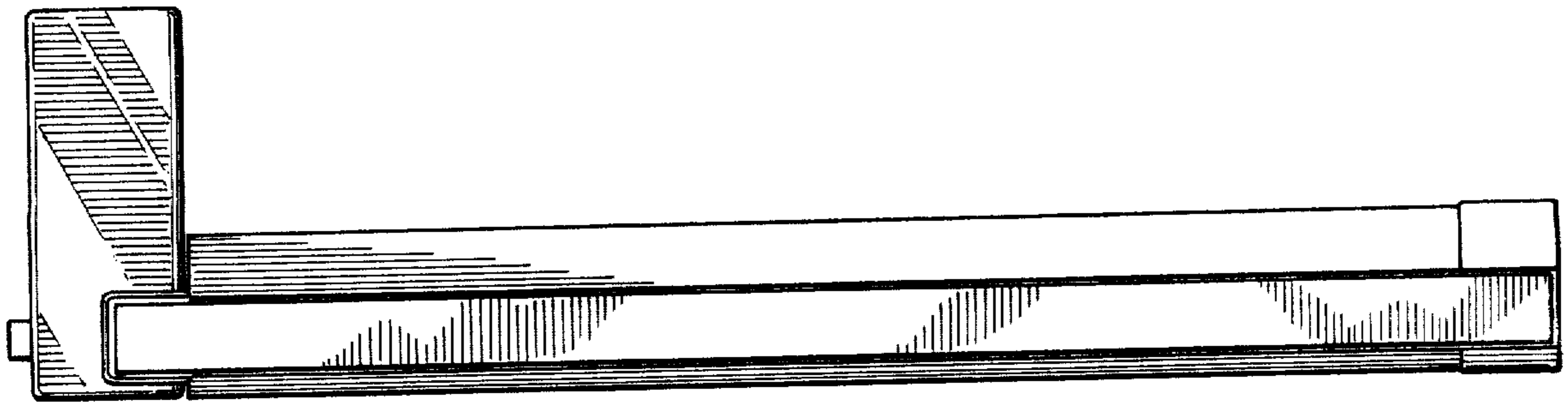


FIG. 1

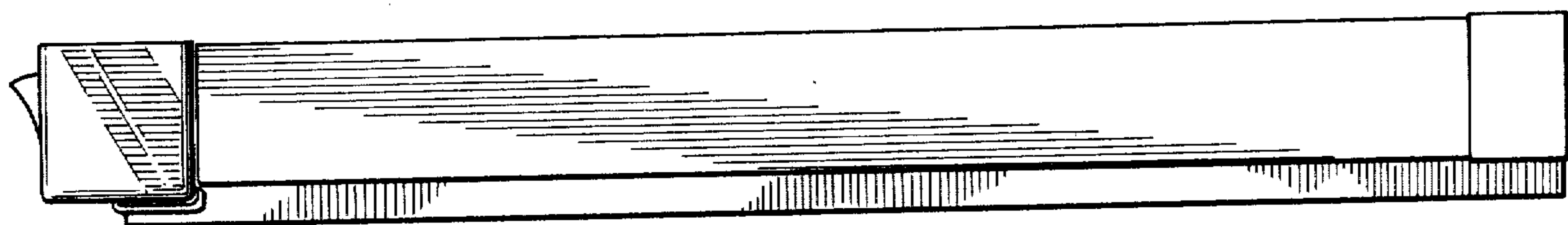


FIG. 2

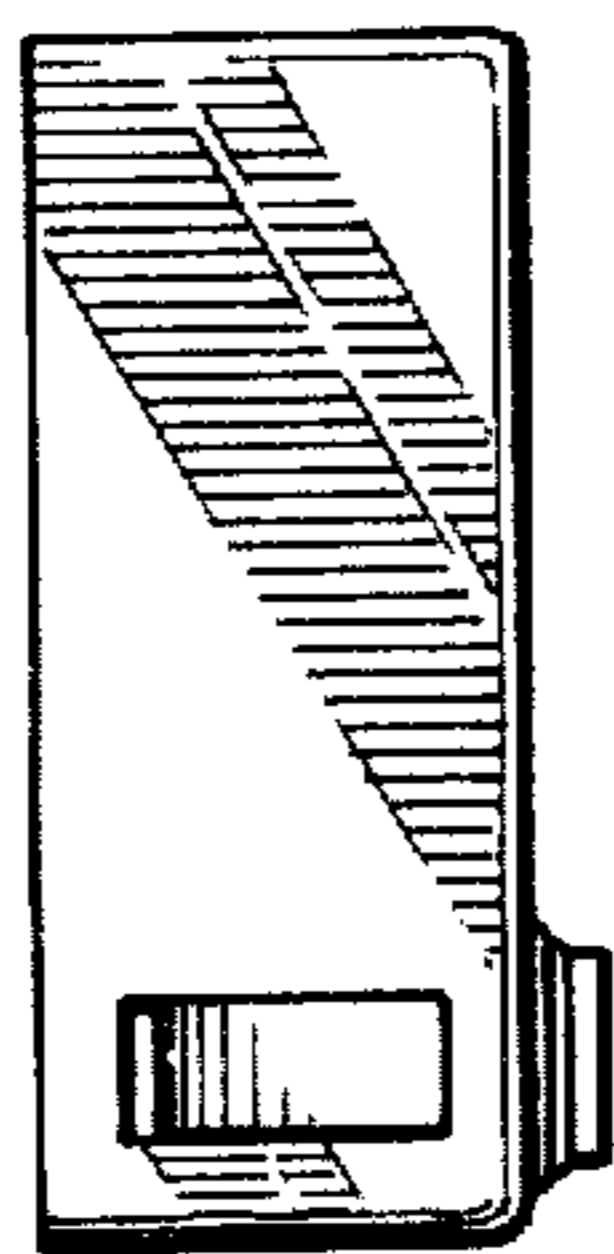


FIG. 3

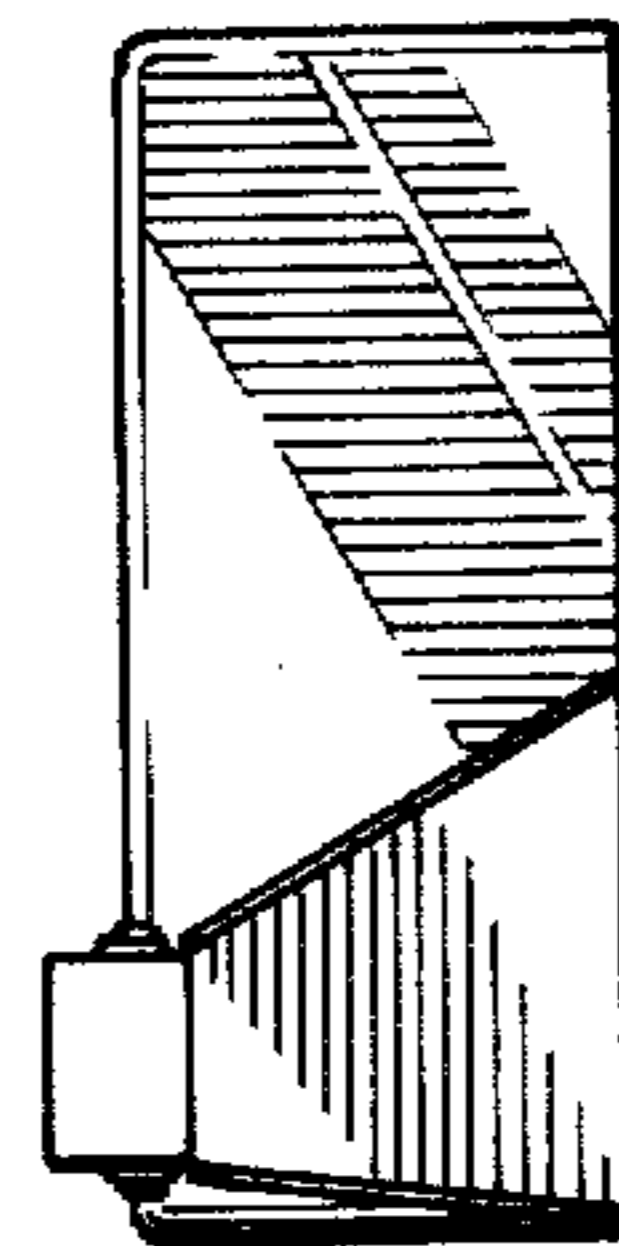


FIG. 4

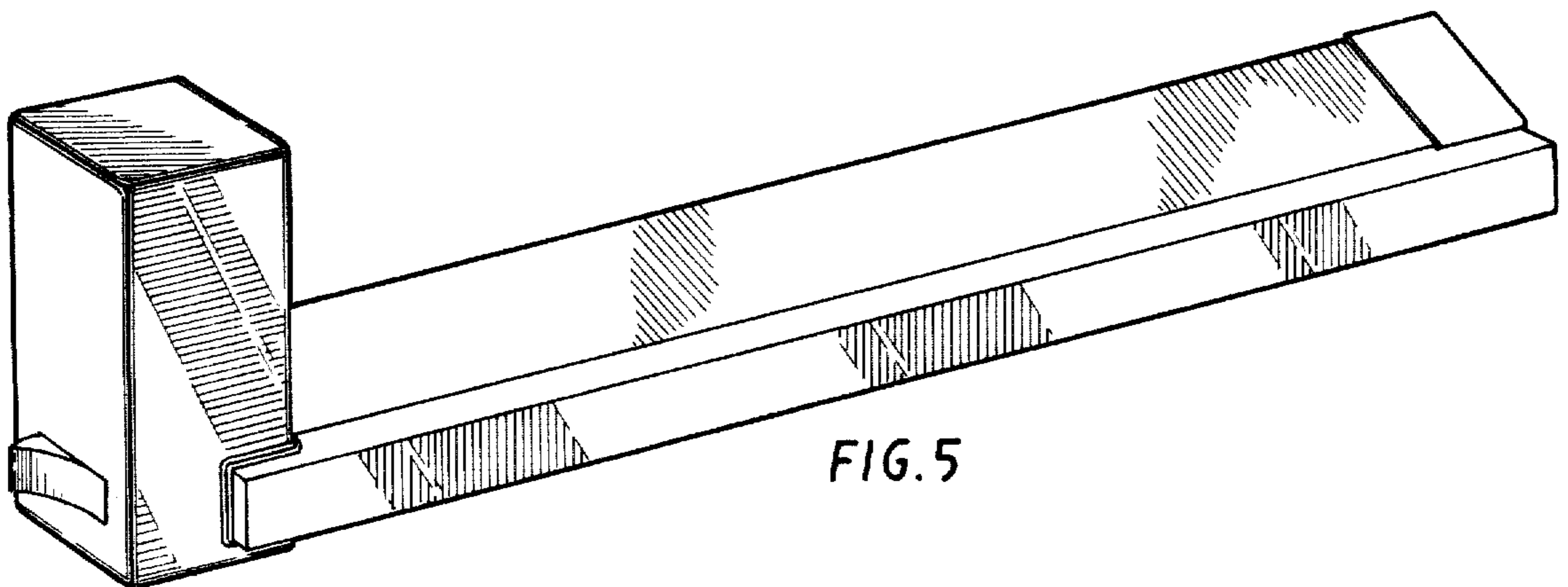


FIG. 5