

[54] CAN HOLDER

[76] Inventor: Karl A. Kurzius, 4246 Eubank, NE, Albuquerque, N. Mex. 87111

[**] Term: 14 Years

[21] Appl. No.: 179,342

[22] Filed: Aug. 18, 1980

[51] Int. Cl. D07-99

[52] U.S. Cl. D7/70

[58] Field of Search D7/70, 45, 130; 248/145.6, 346.1; 220/85 H; 294/27 H, 33; 16/114 A; 215/100 A

[56] References Cited

U.S. PATENT DOCUMENTS

- D. 149,933 6/1948 Bushman D7/70
- D. 154,588 7/1949 Collins D7/70
- D. 157,545 2/1950 Temmer D7/130

- D. 171,008 12/1953 Peterson D7/70
- D. 256,418 8/1980 Corbett D7/70
- 1,646,562 10/1927 Snow D7/70 X
- 2,075,217 3/1937 Milburn 215/100 A
- 3,029,975 4/1962 Aiello D7/70 X
- 3,107,028 10/1963 De Robertis D7/70 X

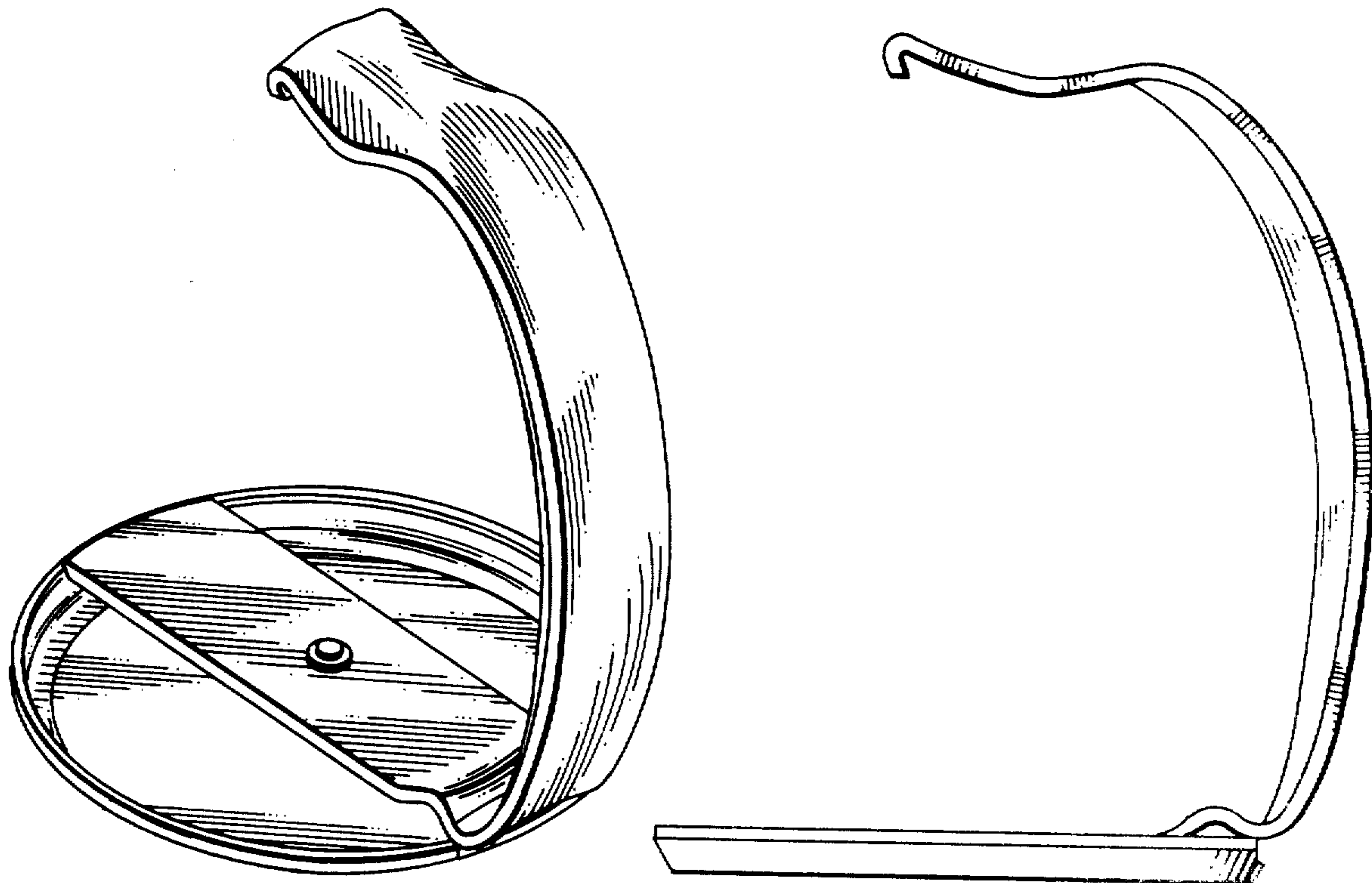
Primary Examiner—Winifred E. Herrmann
Attorney, Agent, or Firm—Richard A. Bachand

[57] CLAIM

The ornamental design for a can holder, as shown and described.

DESCRIPTION

FIG. 1 is a top perspective view of a can holder showing my new design; FIG. 2 is a right side elevational view thereof; and FIG. 3 is a front elevational view thereof, the rear elevational view being a mirror image thereof. The bottom of the design is plain except for the centrally located rivet.



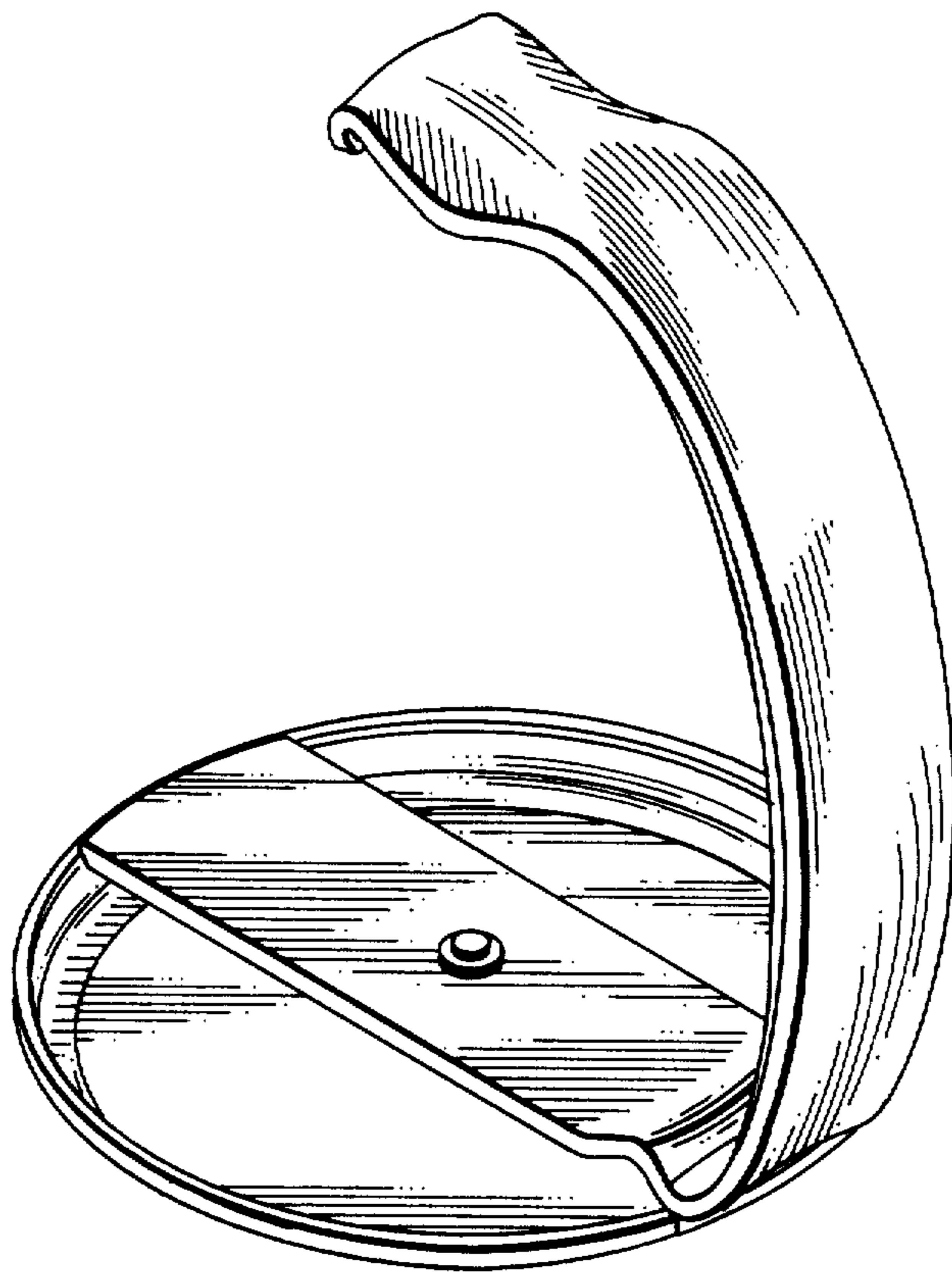


FIG. 1

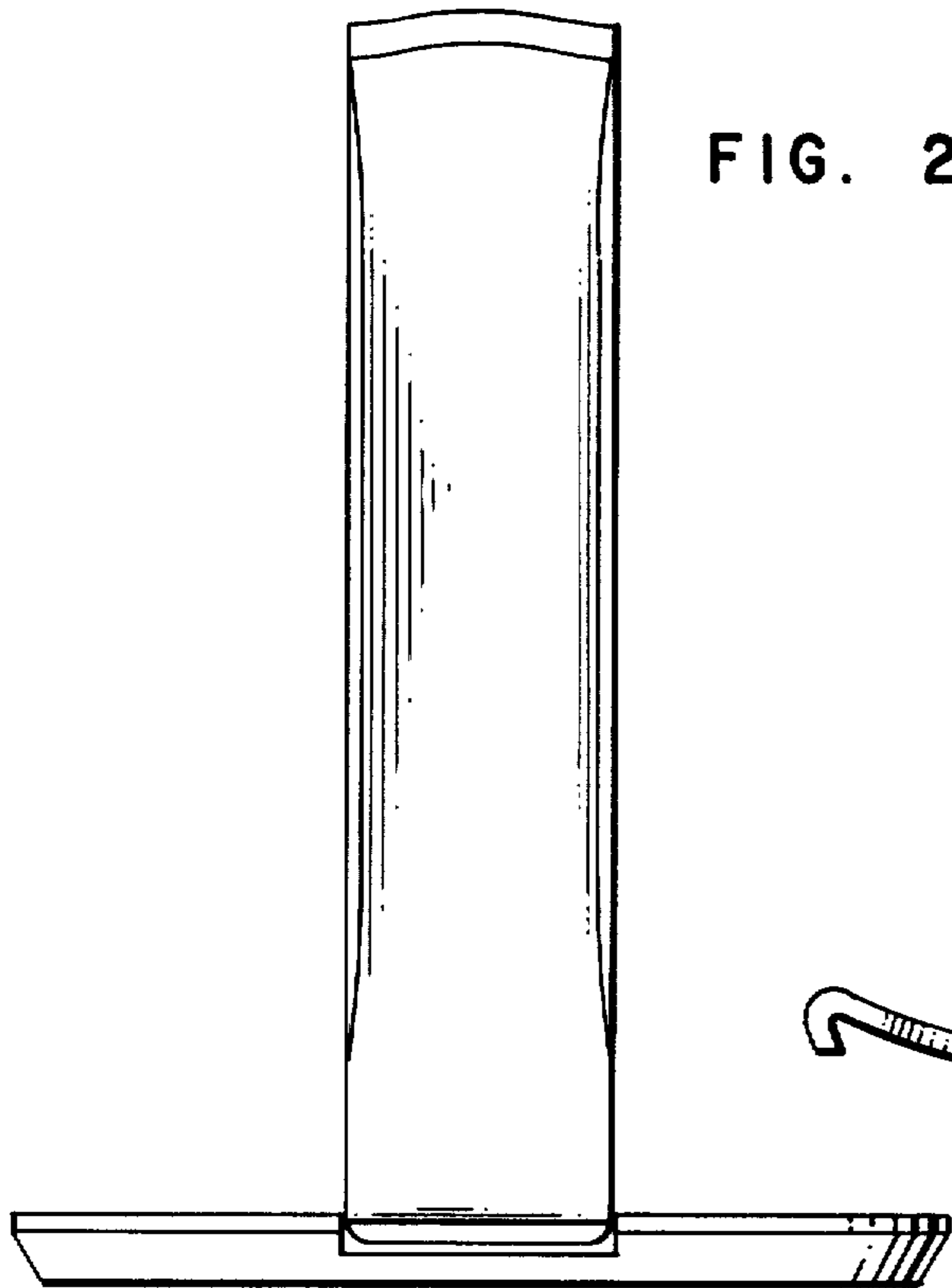


FIG. 2

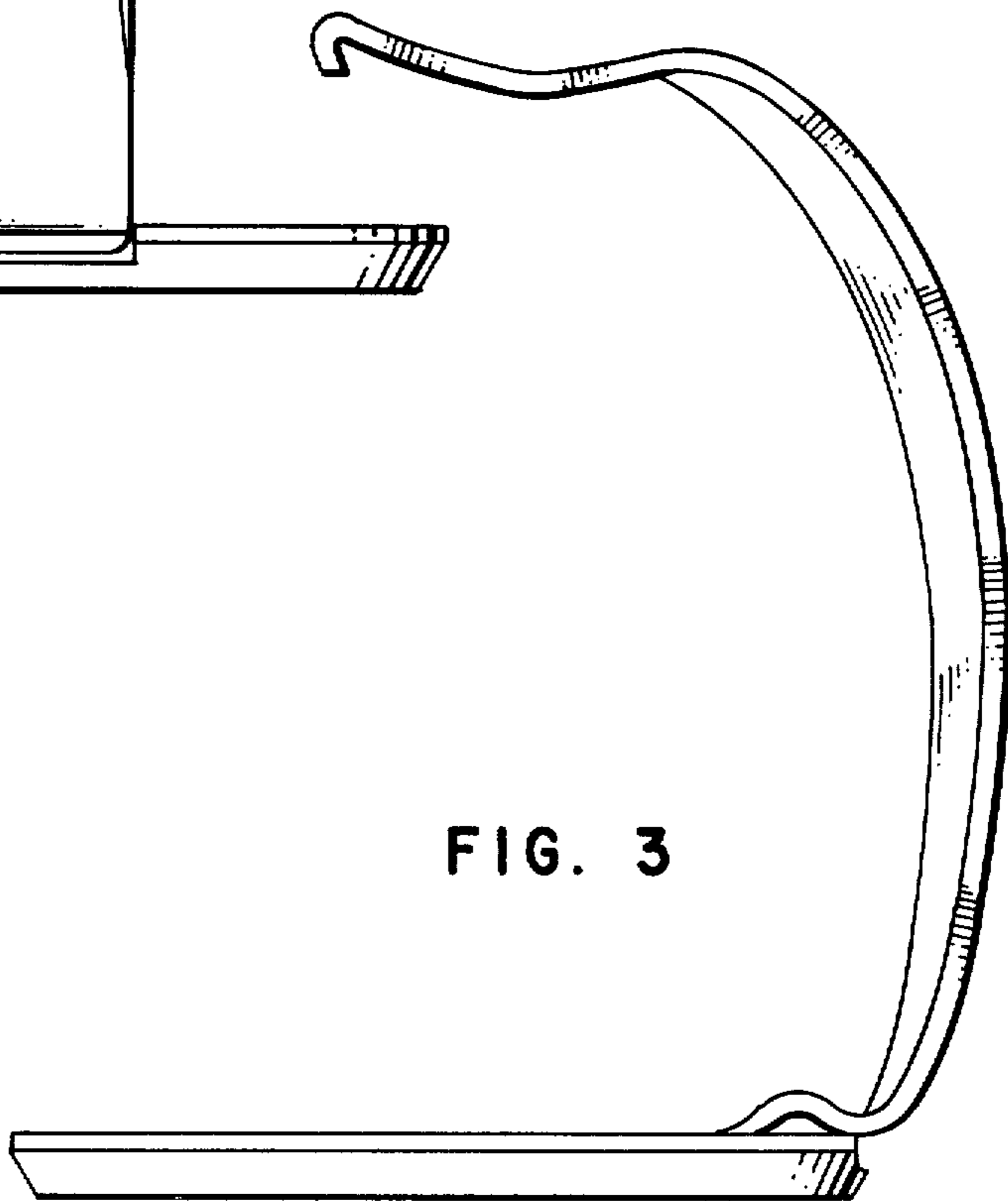


FIG. 3