

[54] STAPLER

[75] Inventors: Michael Bass, North Plainfield;  
Charles P. Housel, Hackettstown,  
both of N.J.

[73] Assignee: The Bates Manufacturing Company,  
Hackettstown, N.J.

[\*\*] Term: 14 Years

[21] Appl. No.: 81,385

[22] Filed: Oct. 3, 1979

[51] Int. Cl. .... D19-02

[52] U.S. Cl. .... D8/50

[58] Field of Search ..... D8/48-50;  
D19/72; 227/61

[56] References Cited

U.S. PATENT DOCUMENTS

- D. 91,242 12/1933 Maynard ..... D8/50
- D. 214,347 6/1969 Power et al. .... D8/50

OTHER PUBLICATIONS

Bainbridge Kimpton & Haupt, 1962, p. 386, Arrow  
"Longarm", right ctr.

Office Products, 12/76, p. 169, top left.

Primary Examiner—George P. Word  
Attorney, Agent, or Firm—Weingram & Klauber

[57] CLAIM

The ornamental design for a stapler, as shown and de-  
scribed.

DESCRIPTION

FIG. 1 is a perspective view of a stapler showing our  
new design;

FIG. 2 is a rear elevational view thereof;

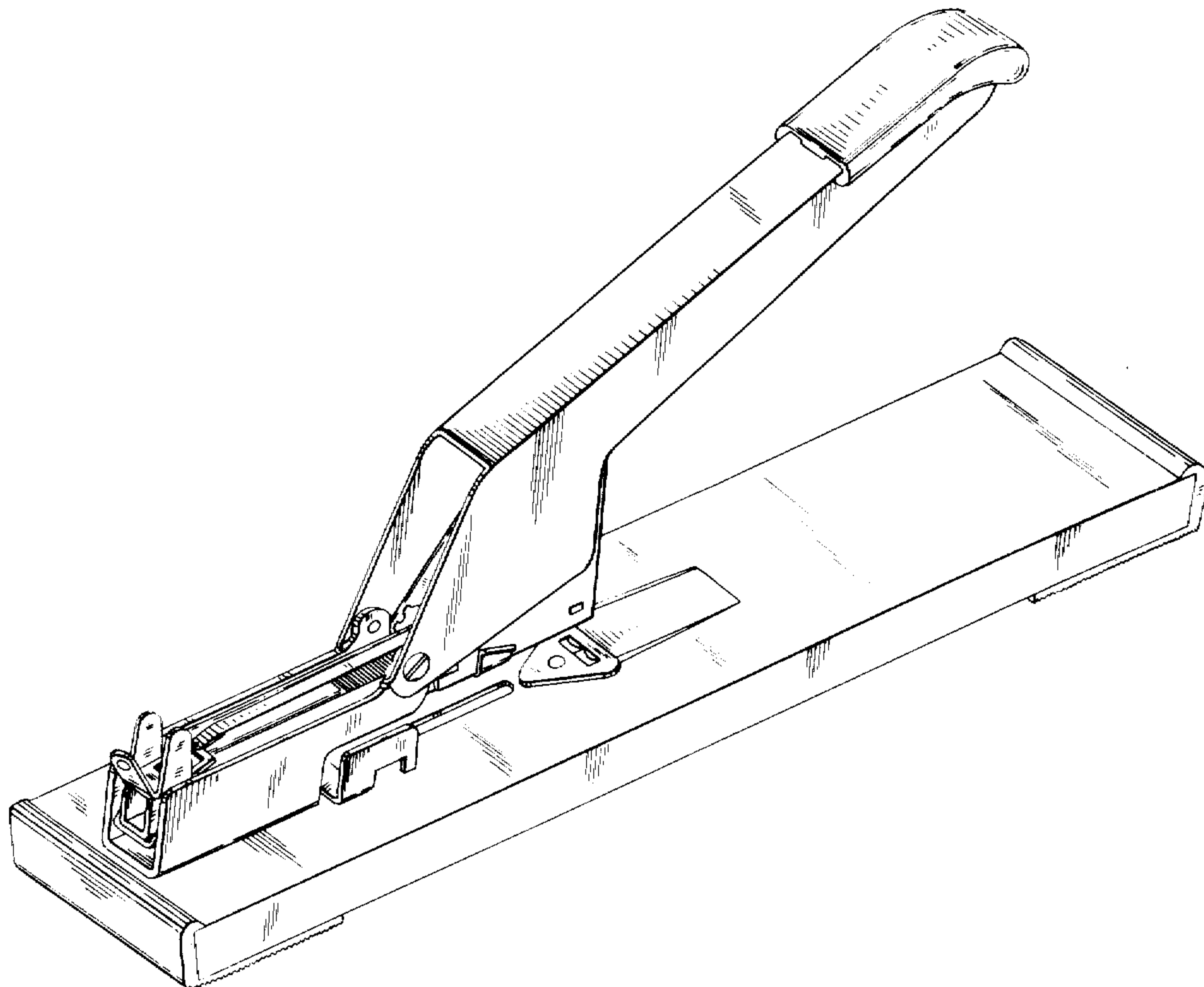
FIG. 3 is a front elevational view thereof;

FIG. 4 is a left side elevational view thereof;

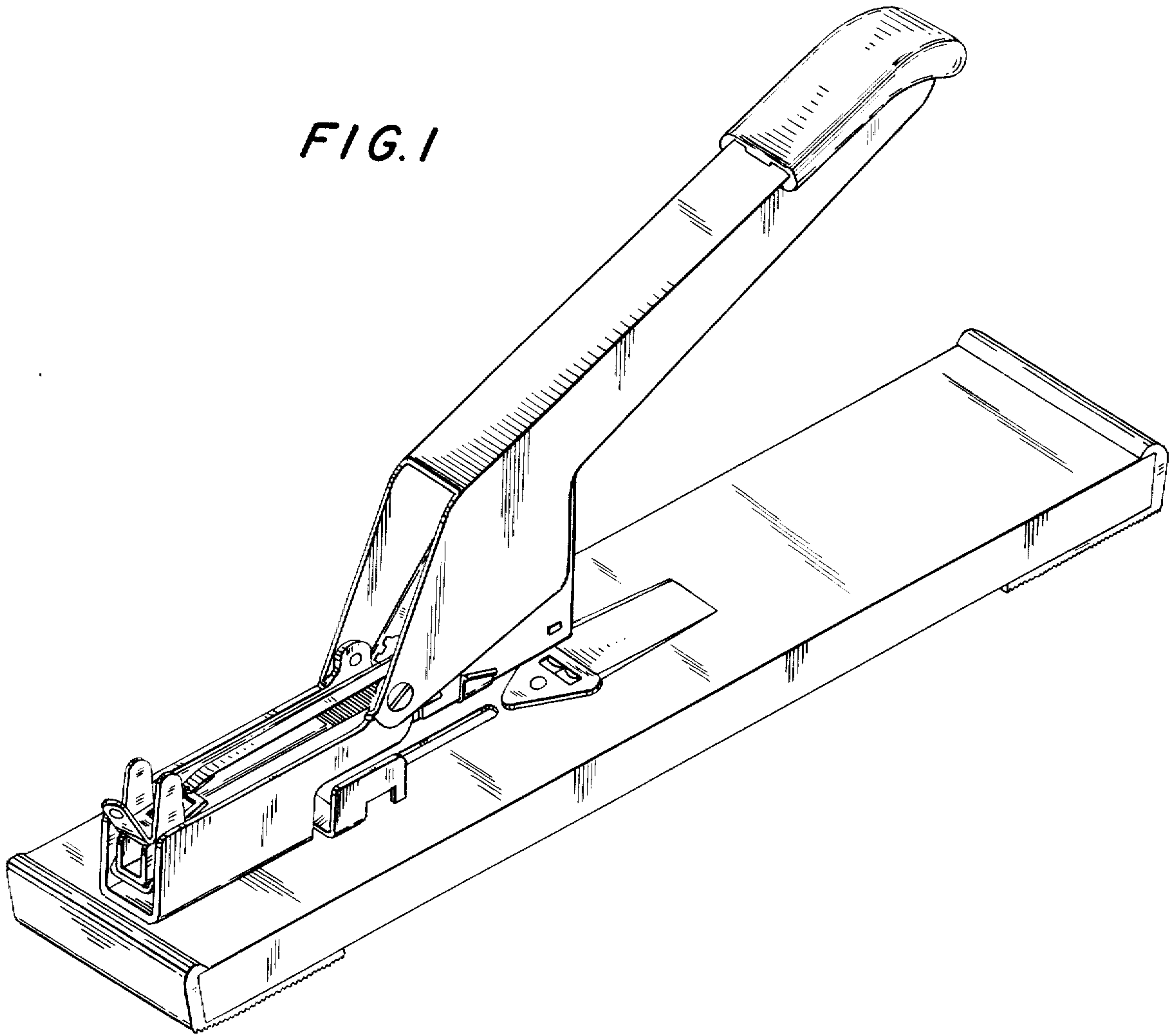
FIG. 5 is a right side elevational view thereof;

FIG. 6 is a top plan view thereof.

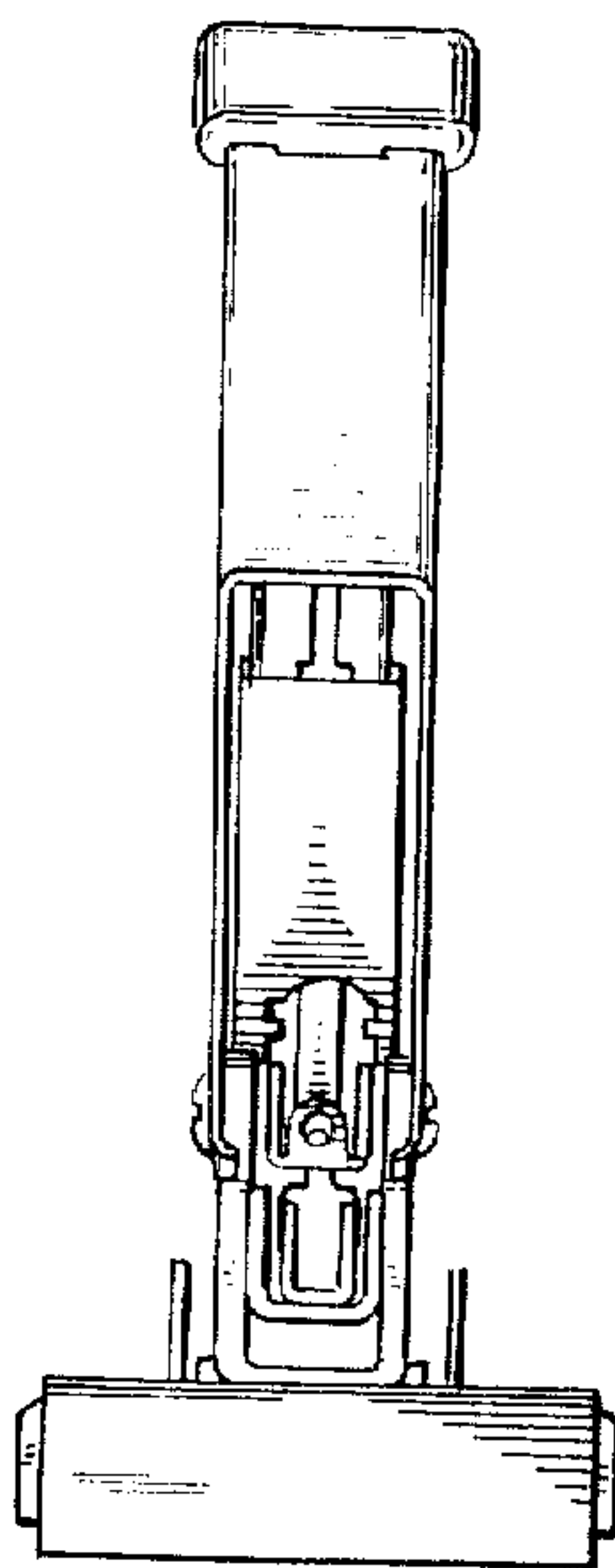
FIG. 7 is a bottom plan view thereof.



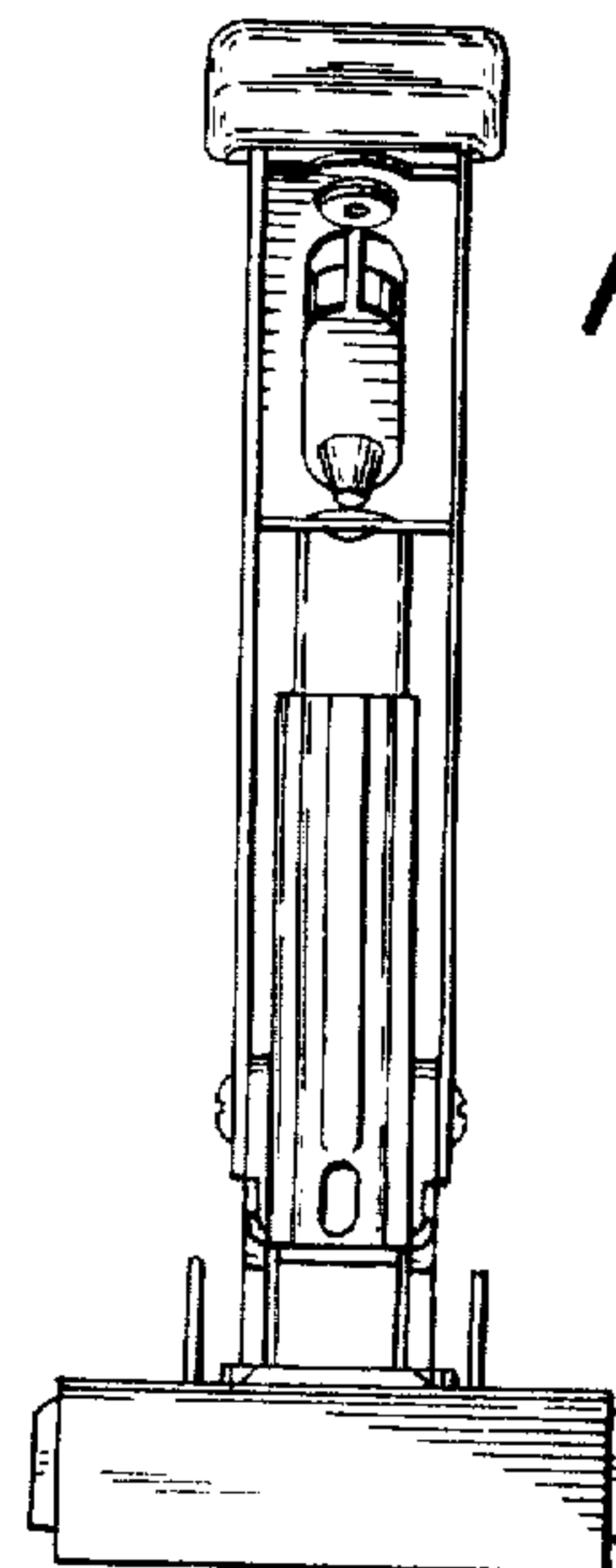
*FIG. 1*



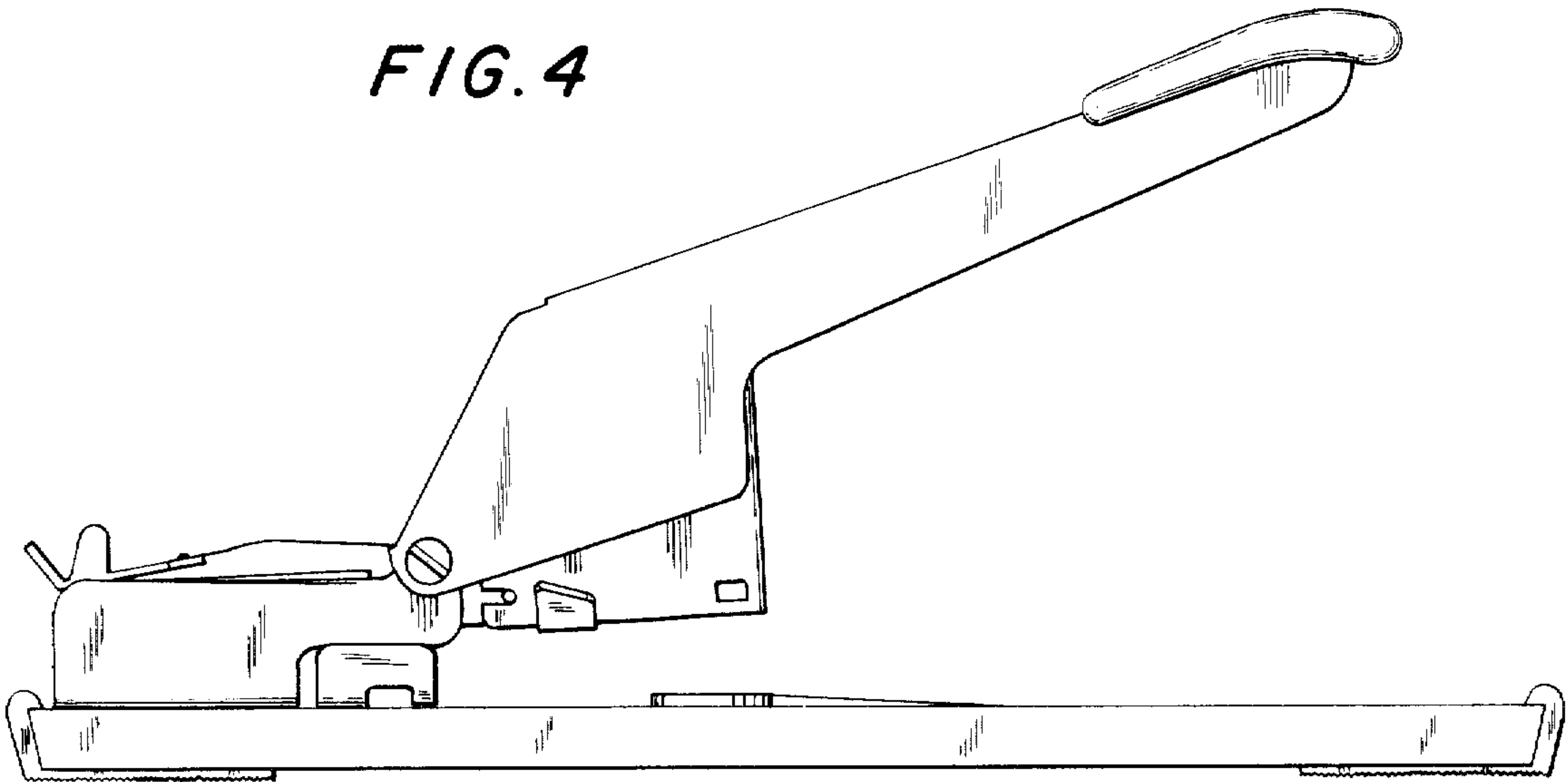
*FIG. 2*



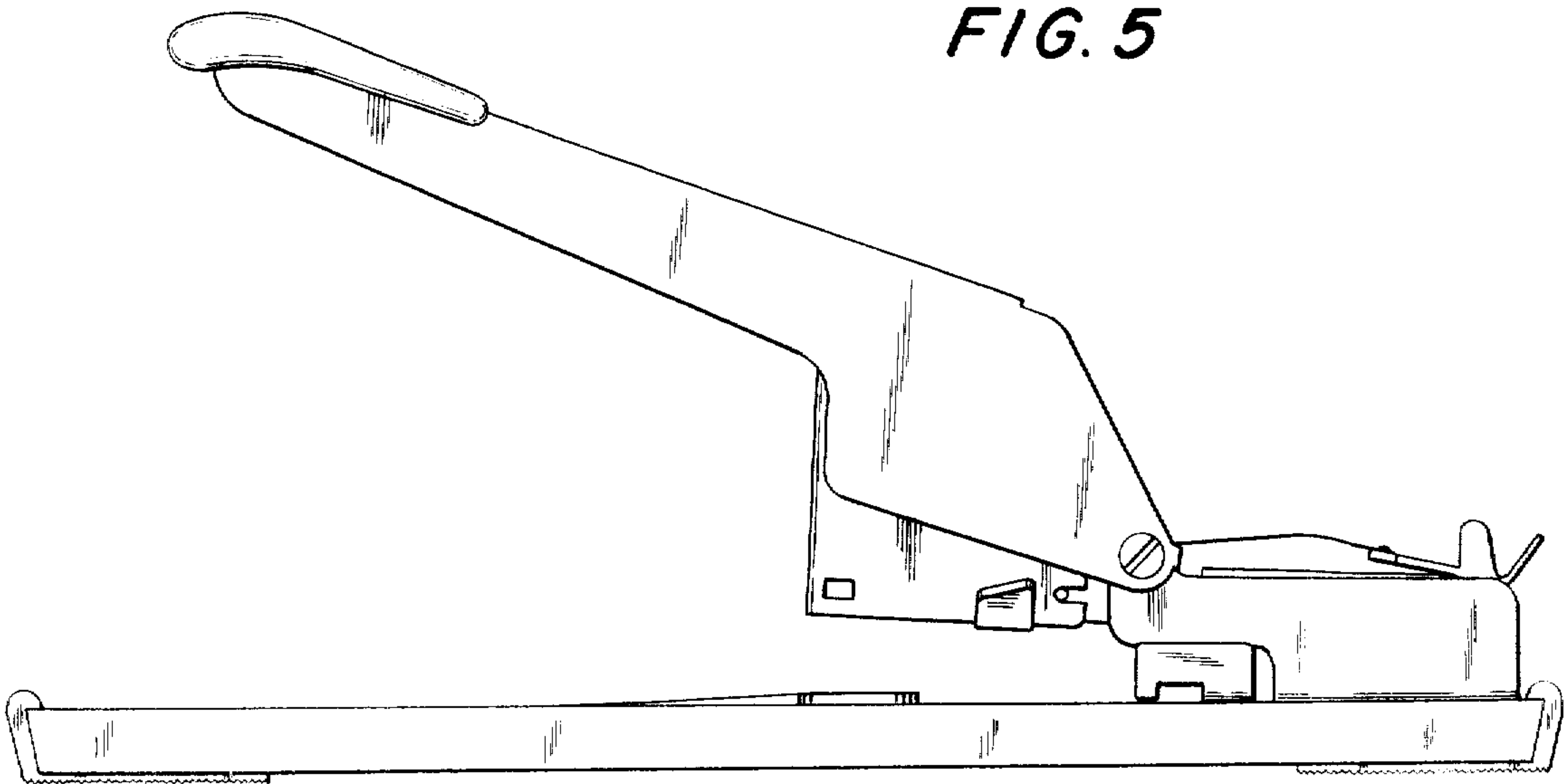
*FIG. 3*



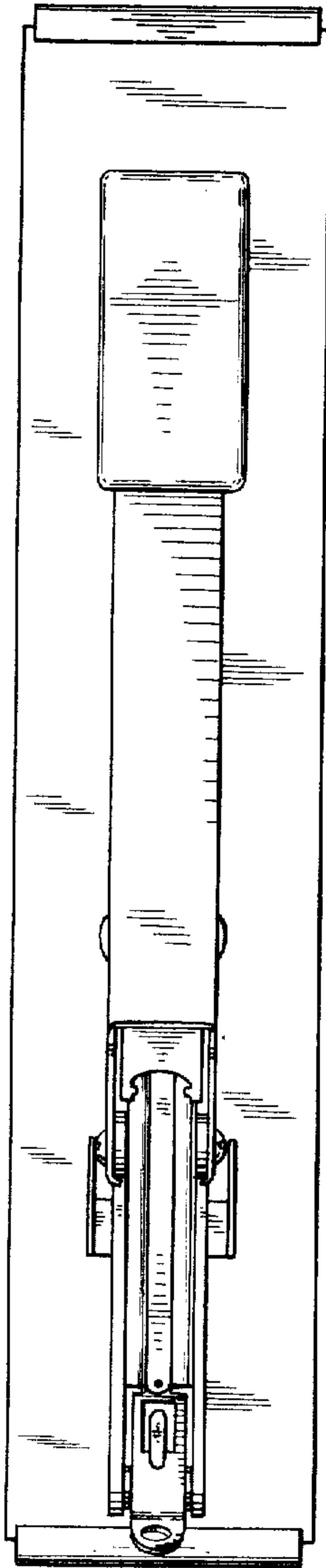
*FIG. 4*



*FIG. 5*



*FIG. 6*



*FIG. 7*

