

[54] GARMEN HANGER

[75] Inventors: Malcolm Bliss, Ridgefield, Conn.;
David McCalmont, Bloomfield, N.J.

[73] Assignee: J. C. Penney Co., Inc., New York,
N.Y.

[**] Term: 14 Years

[21] Appl. No.: 164,940

[22] Filed: Jul. 1, 1980

[51] Int. Cl. D6-08

[52] U.S. Cl. D6/254; D6/247

[58] Field of Search D6/113, 247-257;
211/113, 118, 119; 40/322; 223/85, 87, 88,
91-96

[56] References Cited

U.S. PATENT DOCUMENTS

D. 204,039	3/1966	Phillips et al.	D6/254
2,895,657	7/1959	Laughton	D6/254
3,949,914	4/1976	Ostroll	223/85
4,115,940	9/1978	Phillips	223/85

FOREIGN PATENT DOCUMENTS

838533	4/1970	Canada	223/91
--------	--------	--------------	--------

Primary Examiner—B. J. Bullock
Attorney, Agent, or Firm—Kenyon & Kenyon

[57] CLAIM

The ornamental design for a garment hanger, substantially as shown.

DESCRIPTION

FIG. 1 is a front elevational view of a garment hanger showing our new design;
FIG. 2 is a rear perspective view thereof;
FIG. 3 is a front perspective view thereof.

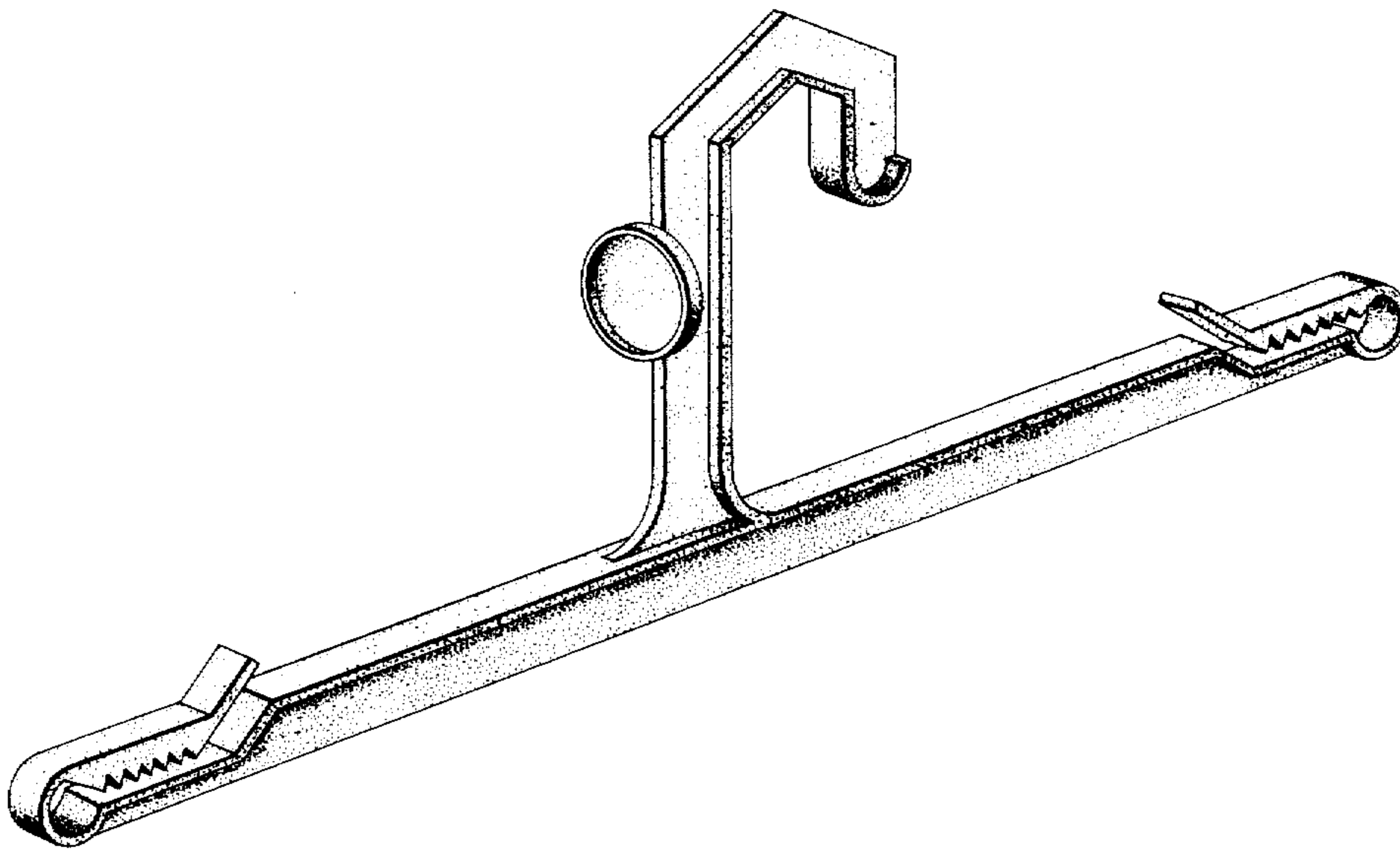


FIG. 1

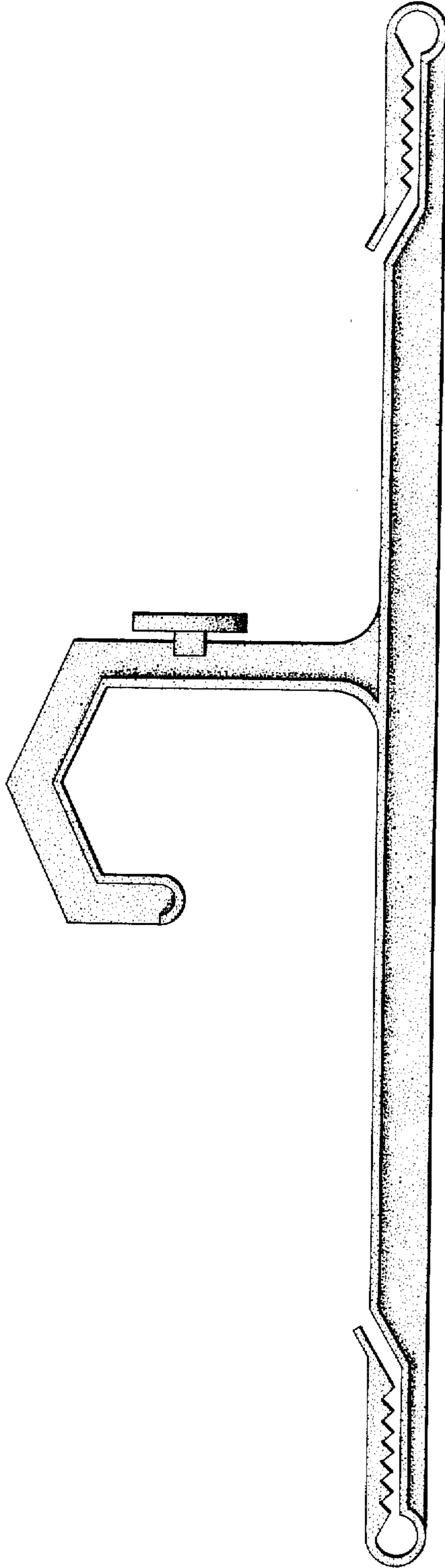


FIG. 2

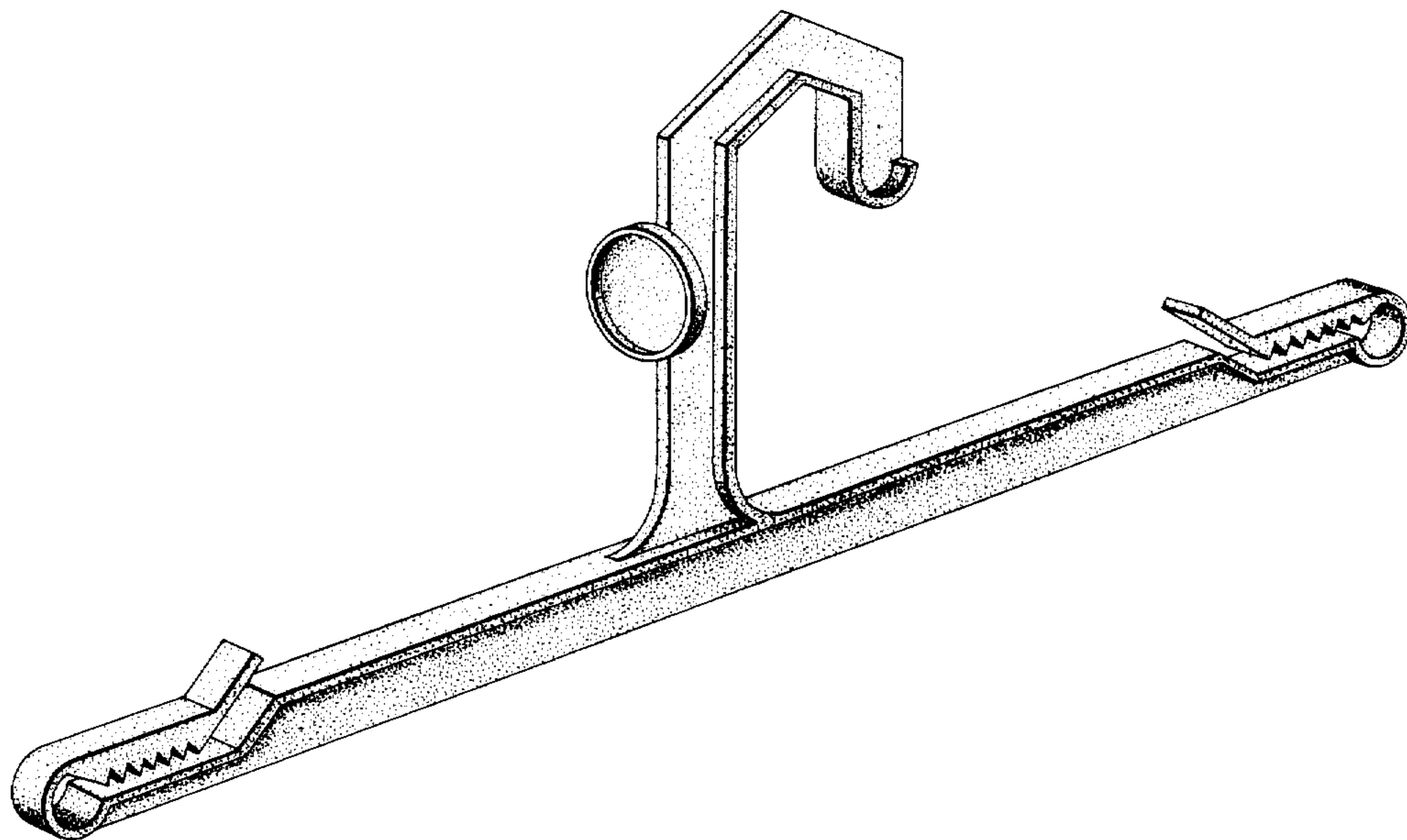


FIG. 3

