

[54] **COMBINED ROTATING CAFETERIA TYPE
FOOD SERVICE COUNTER AND DISPLAY
SHELF**

[75] Inventor: **Donald R. Barnhill**, Hamilton, Ohio

[73] Assignee: **B&W Metals Company, Inc.**,
Fairfield, Ohio

[**] Term: **14 Years**

[21] Appl. No.: **63,931**

[22] Filed: **Aug. 6, 1979**

[51] Int. Cl. **D6—03; D6—04**

[52] U.S. Cl. **D6/146**

[58] Field of Search **D6/144, 146, 157, 188;**
186/38, 44, 57; 312/140.1, 140.2, 140.3, 140.4,
186, 187

[56] **References Cited**

U.S. PATENT DOCUMENTS

D. 240,100	6/1976	Weddendorf	D6/146
D. 240,378	7/1976	Weddendorf	D6/146
2,815,539	12/1957	Schneider	186/38
3,847,250	11/1974	Sherrill	186/44

4,007,810 2/1977 Weddendorf 186/44

Primary Examiner—Peter M. Caun
Attorney, Agent, or Firm—Wood, Herron & Evans

[57] **CLAIM**

The ornamental design for a combined rotating cafeteria type food service counter and display shelf, substantially as shown and described.

DESCRIPTION

FIG. 1 is a front elevational view of a rotating cafeteria type food service counter and display shelf showing my new design;

FIG. 2 is a top plan view of the embodiment shown in FIG. 1;

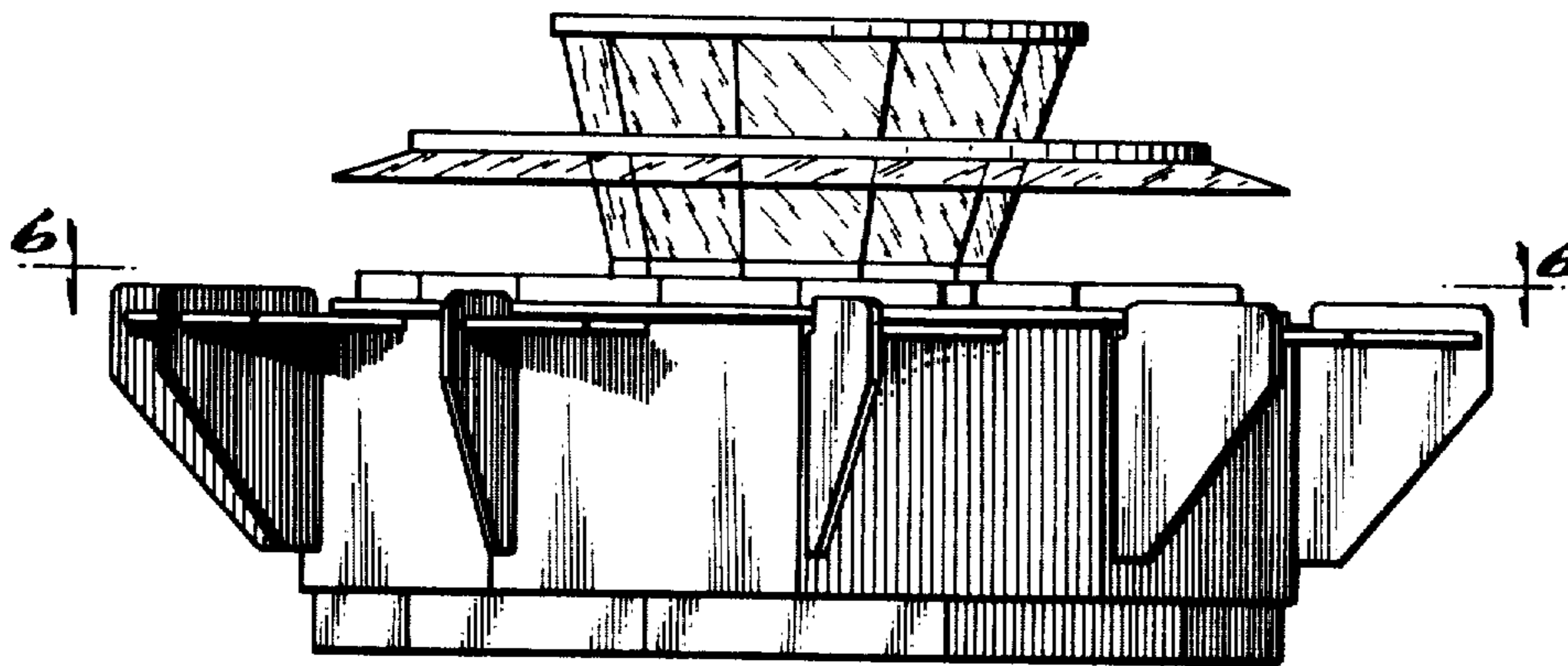
FIG. 3 is a right side elevational view of the embodiment shown in FIG. 1;

FIG. 4 is a left side elevational view of the embodiment shown in FIG. 1;

FIG. 5 is a rear elevational view of the embodiment shown in FIG. 1;

FIG. 6 is a cross sectional view taken along line 6—6 of FIG. 1; and

FIG. 7 is a bottom view of the embodiment shown in FIG. 1.



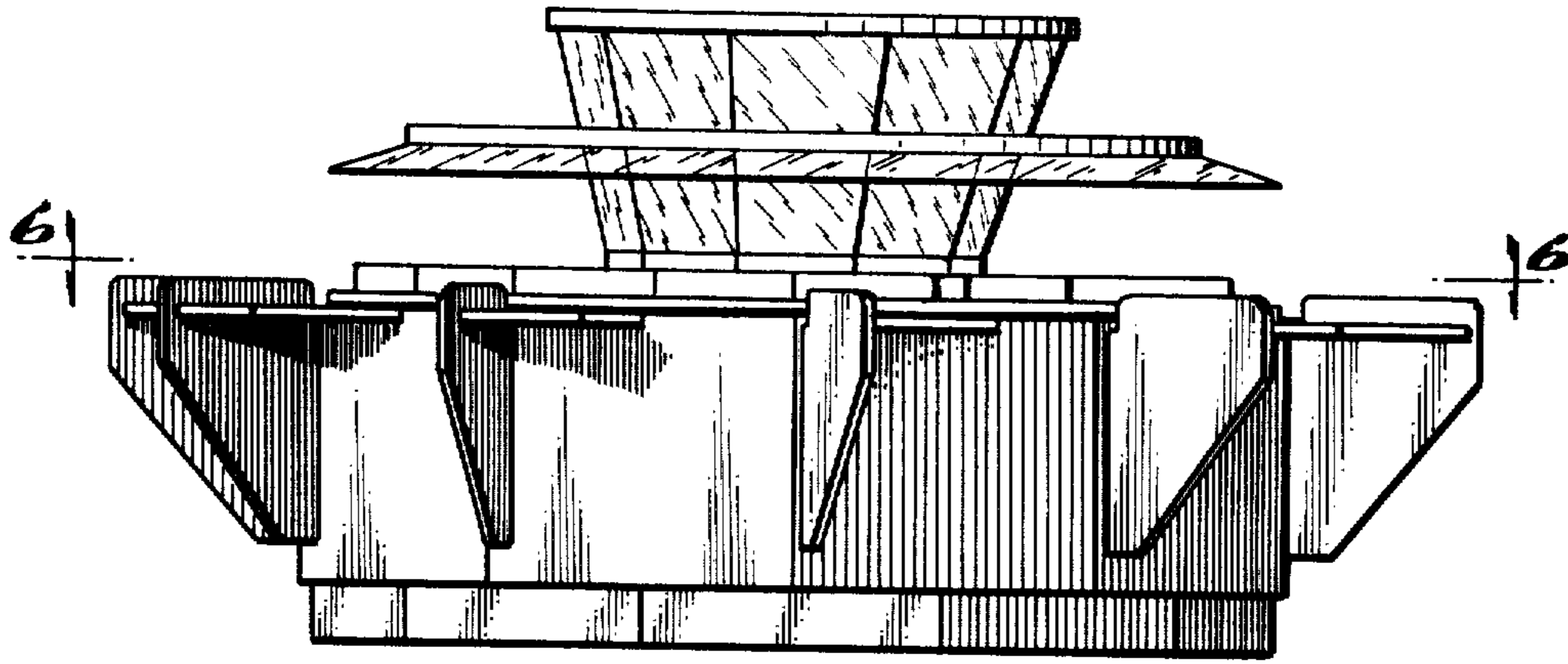


Fig. 1

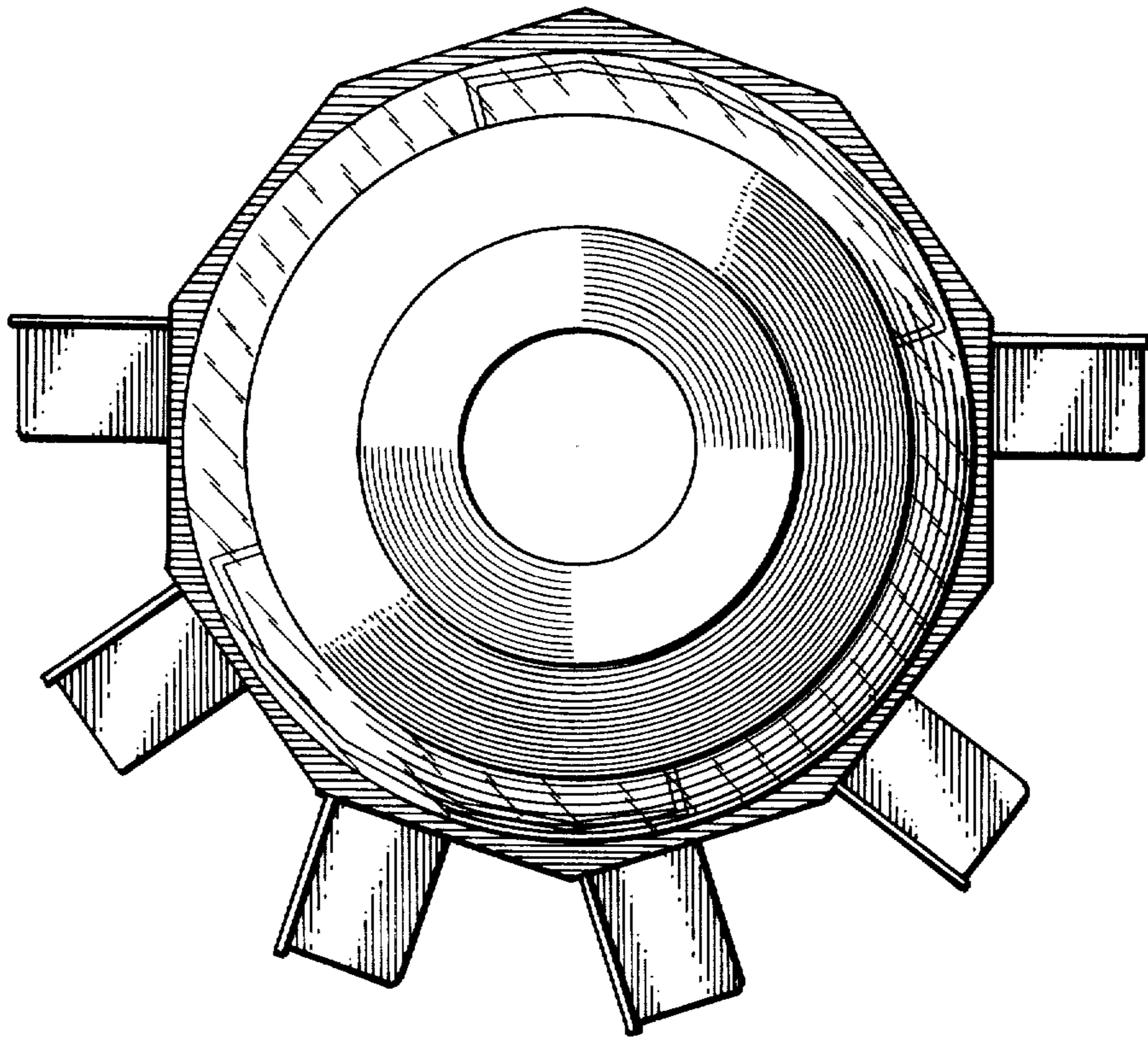


Fig. 2

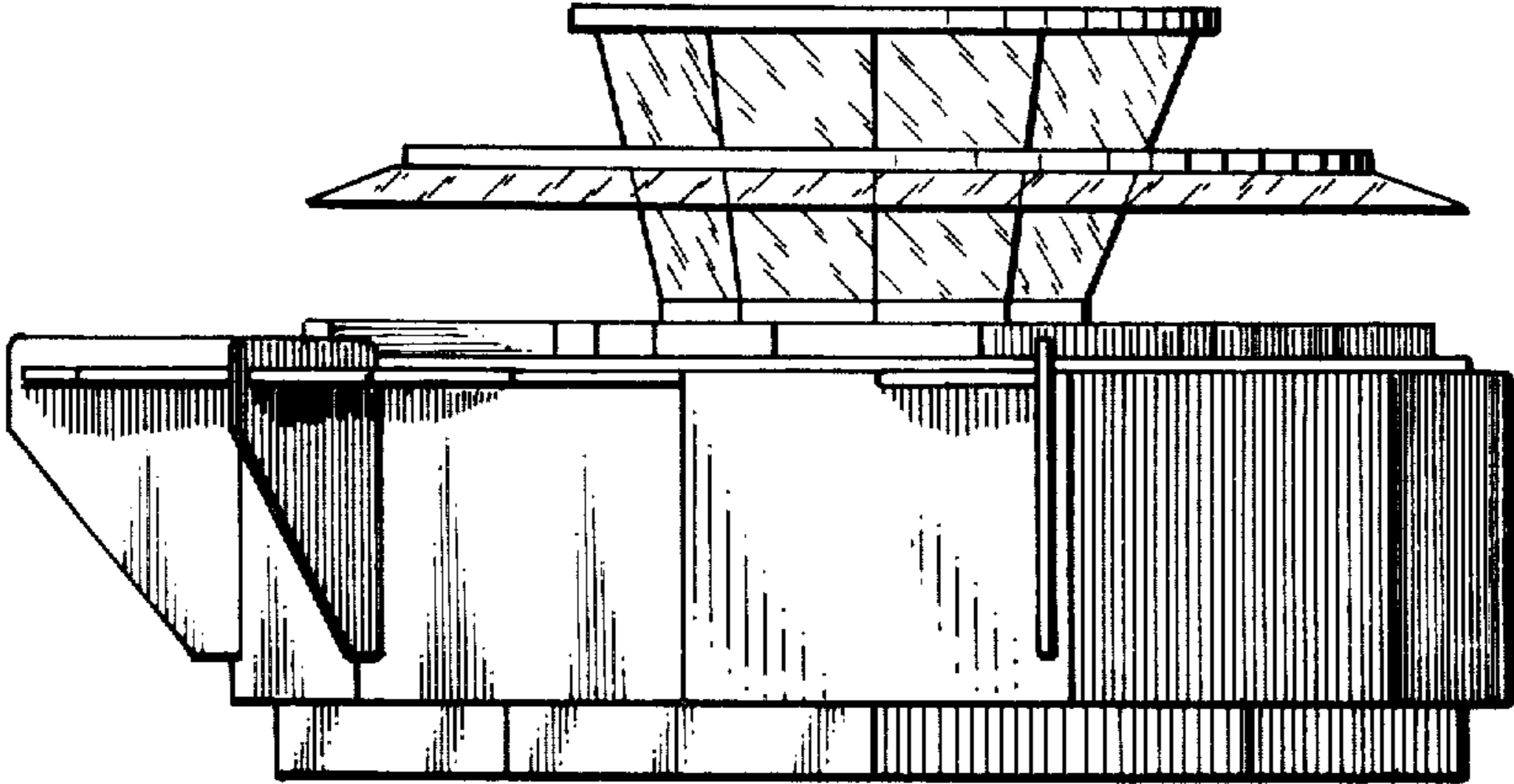


Fig. 3

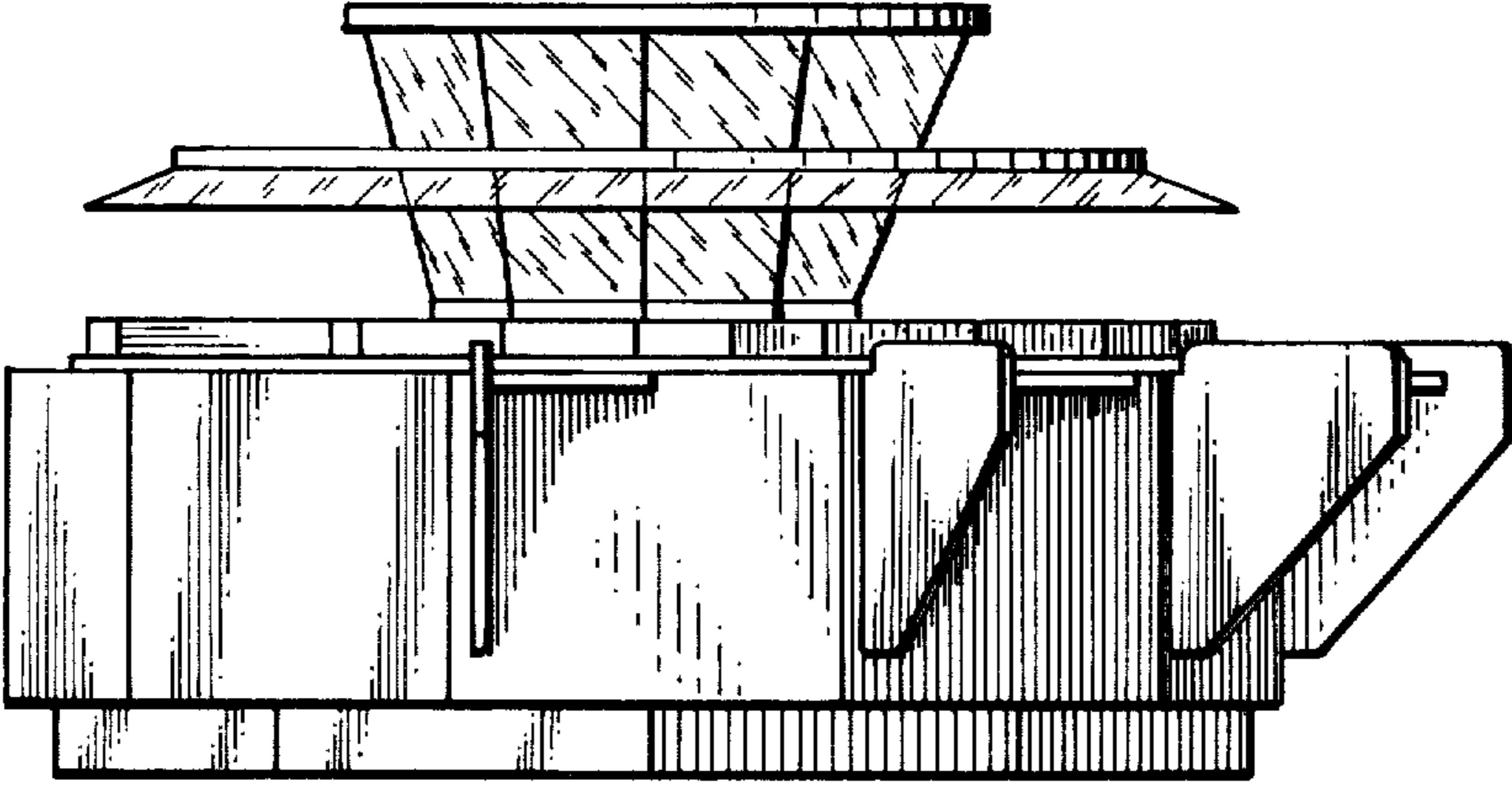


Fig. 4

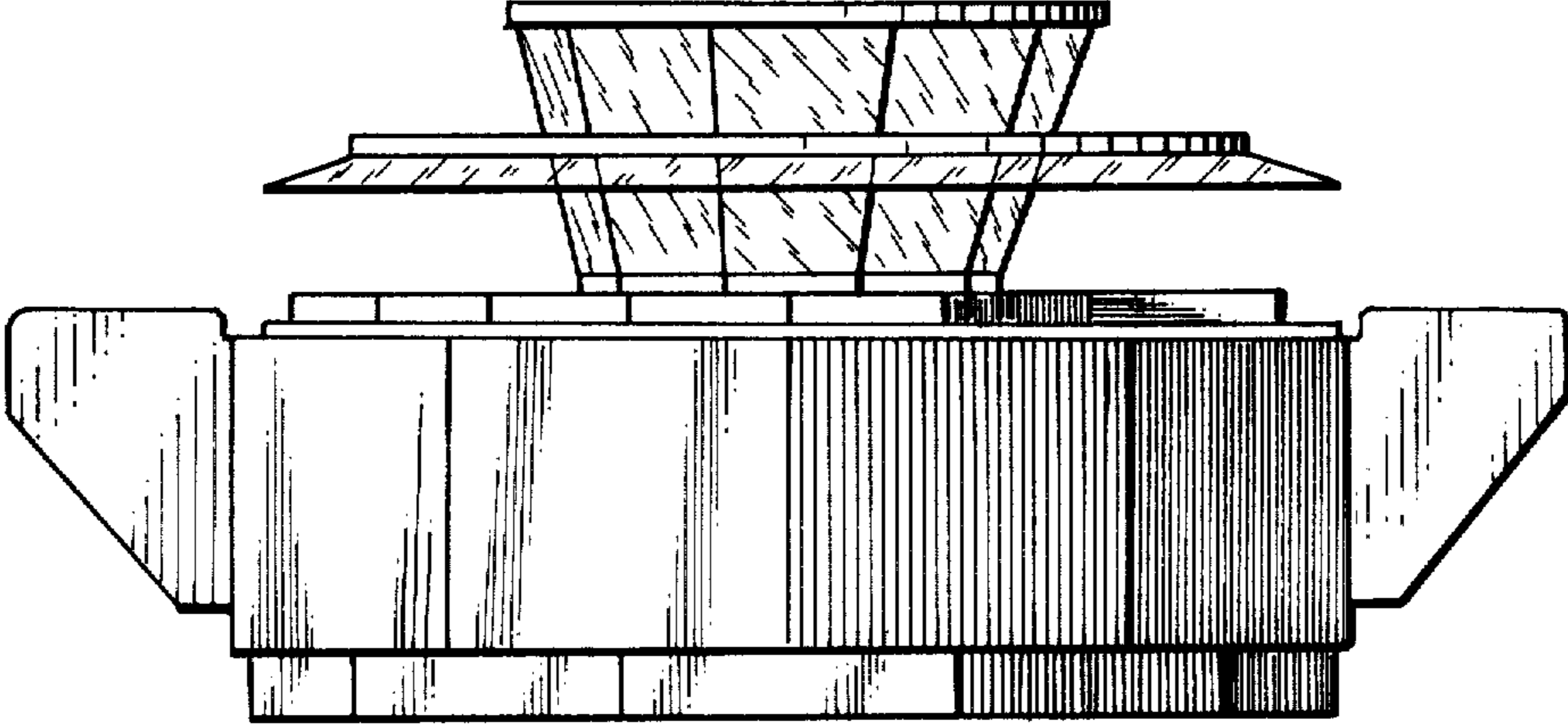


Fig. 5

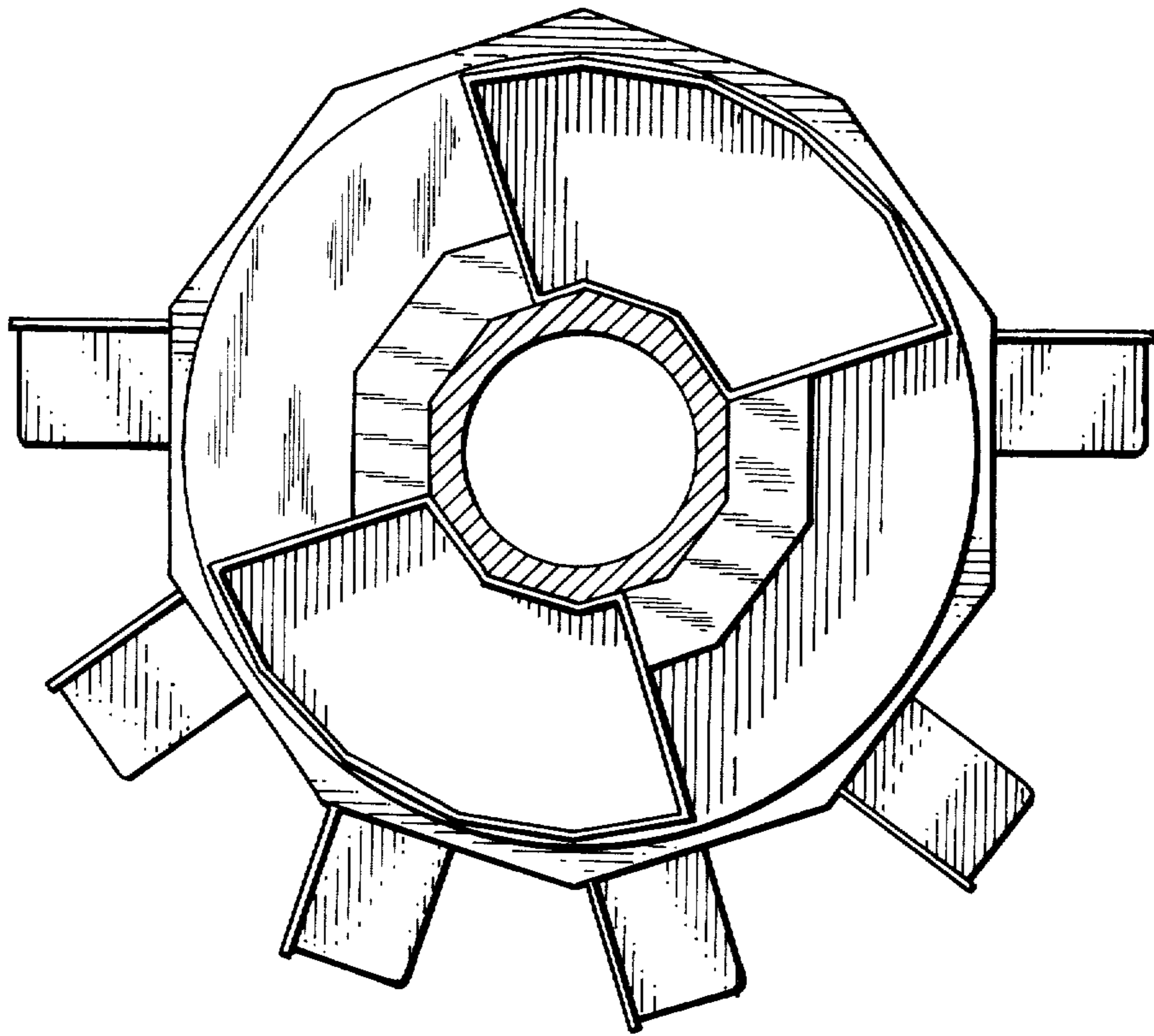


Fig. 6

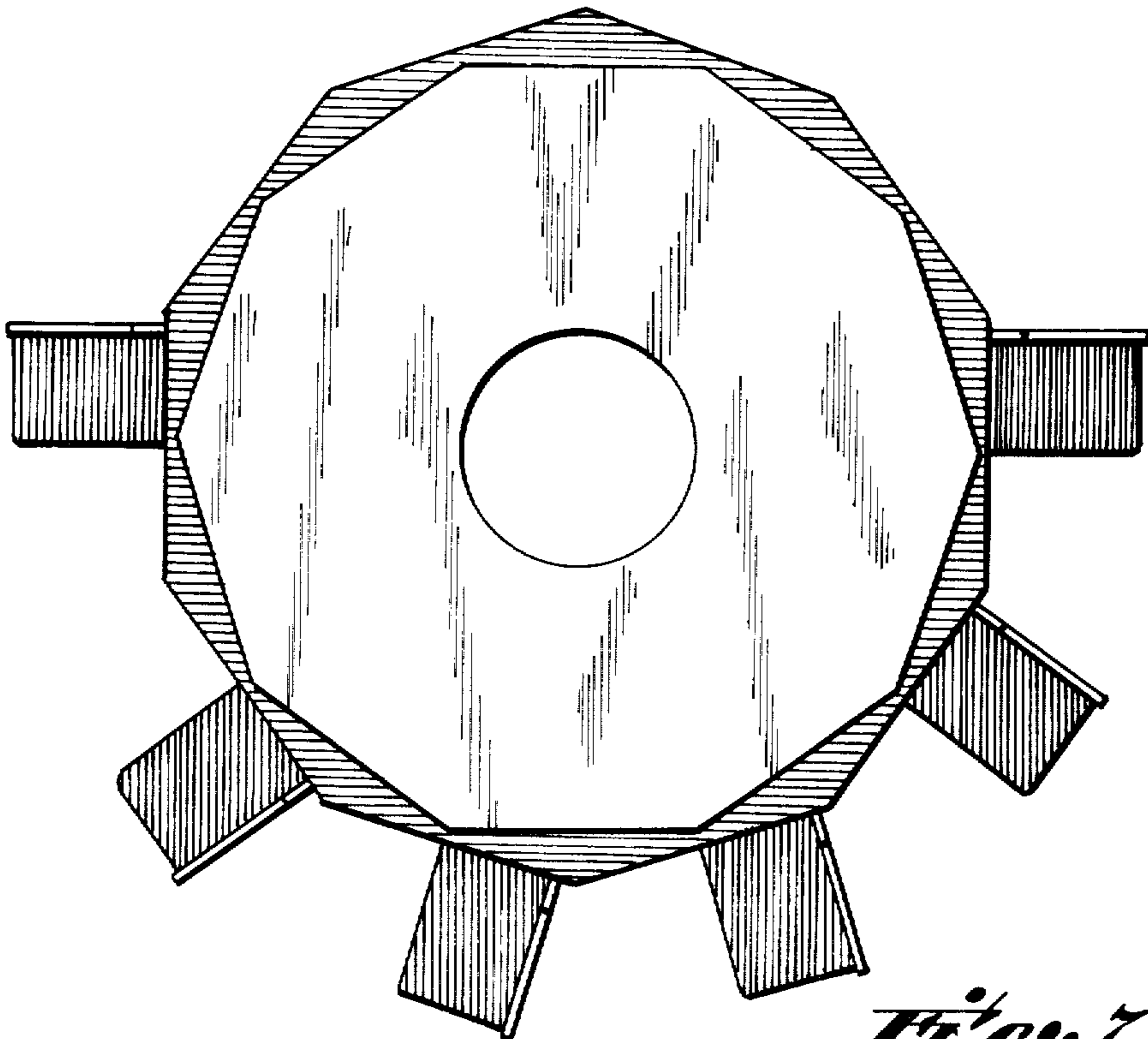


Fig. 7