

[54] PLASTIC BAG HOLDING RACK

[75] Inventor: Gerhard Adamson, West Milford, N.J.

[73] Assignee: Union Carbide Corporation, Danbury, Conn.

[**] Term: 14 Years

[21] Appl. No.: 142,733

[22] Filed: Apr. 22, 1980

[51] Int. Cl. D6-06

[52] U.S. Cl. D6/114; D34/06

[58] Field of Search D34/5, 6; D6/85, 114, D6/143; 53/390; 186/66; 312/211; 248/95, 97, 98, 99, 100, 101

[56] References Cited

U.S. PATENT DOCUMENTS

- 2,412,834 12/1946 Roberts 248/99
- 4,062,170 12/1977 Orem 53/390

- 4,199,122 4/1980 Christie 312/211 X
- 4,249,663 2/1981 Hewlett 248/99 X

FOREIGN PATENT DOCUMENTS

- 1069455 1/1980 Canada 248/97
- 2437326 2/1976 Fed. Rep. of Germany 248/99

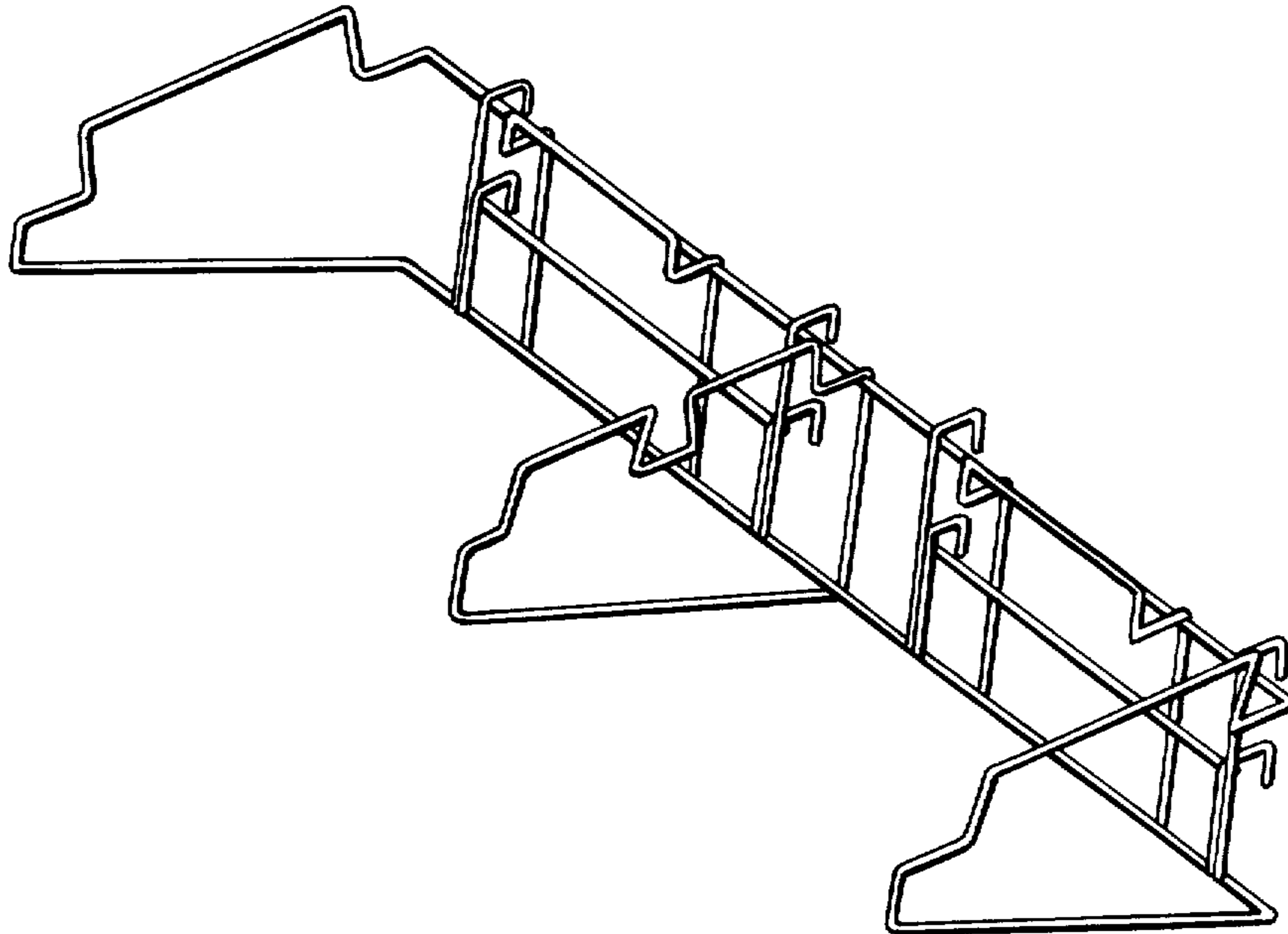
Primary Examiner—Catherine E. Kemper
Attorney, Agent, or Firm—Real J. Grandmaison

[57] CLAIM

The ornamental design for a plastic bag holding rack, as shown and described.

DESCRIPTION

- FIG. 1 is a perspective view of a plastic bag holding rack, showing my new design;
- FIG. 2 is a top plan view thereof;
- FIG. 3 is a side elevational view, the opposite side being a mirror image thereof;
- FIG. 4 is a front elevational view thereof;
- FIG. 5 is a rear elevational view thereof;
- FIG. 6 is a bottom plan view thereof.



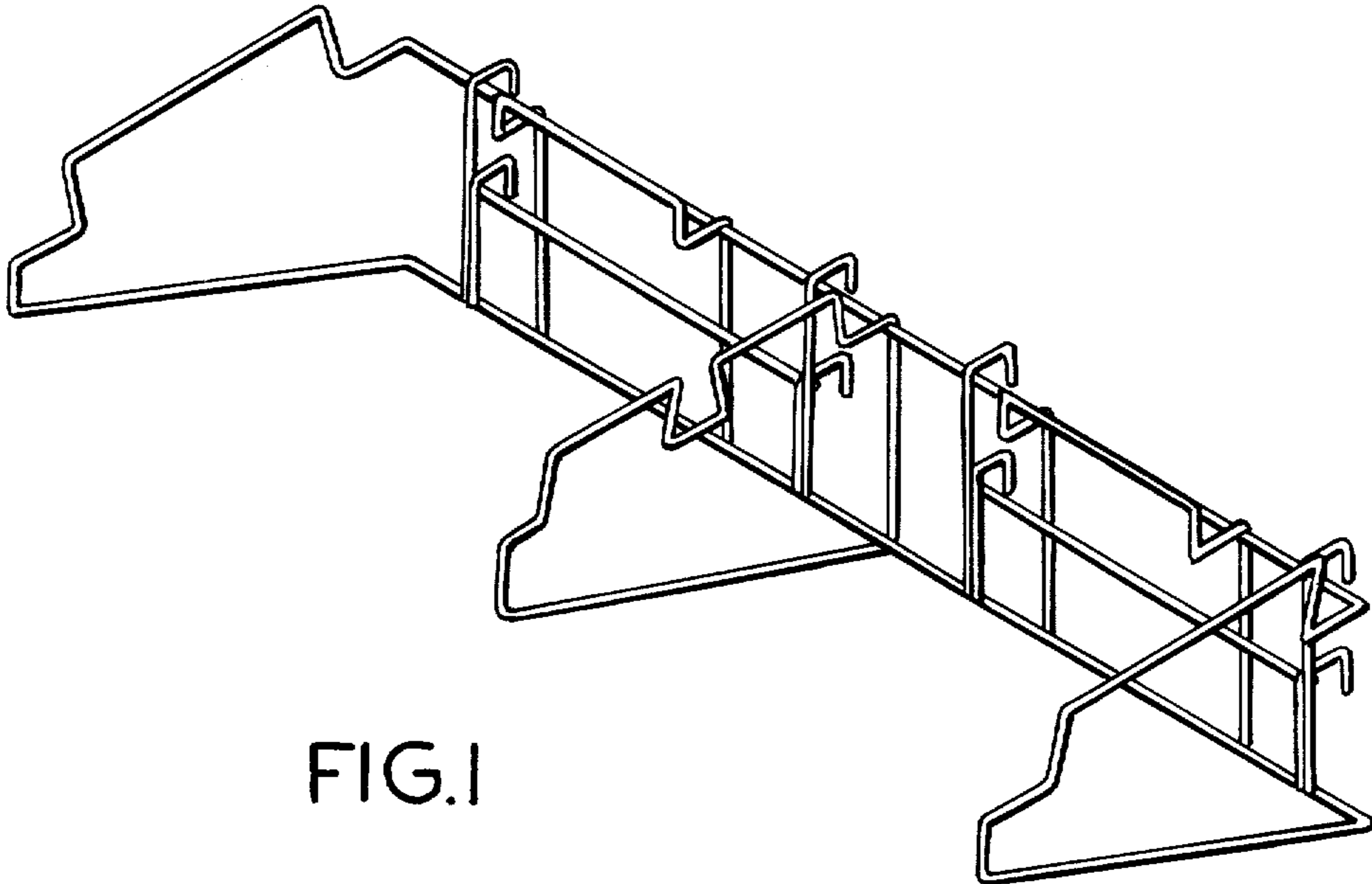


FIG. 1

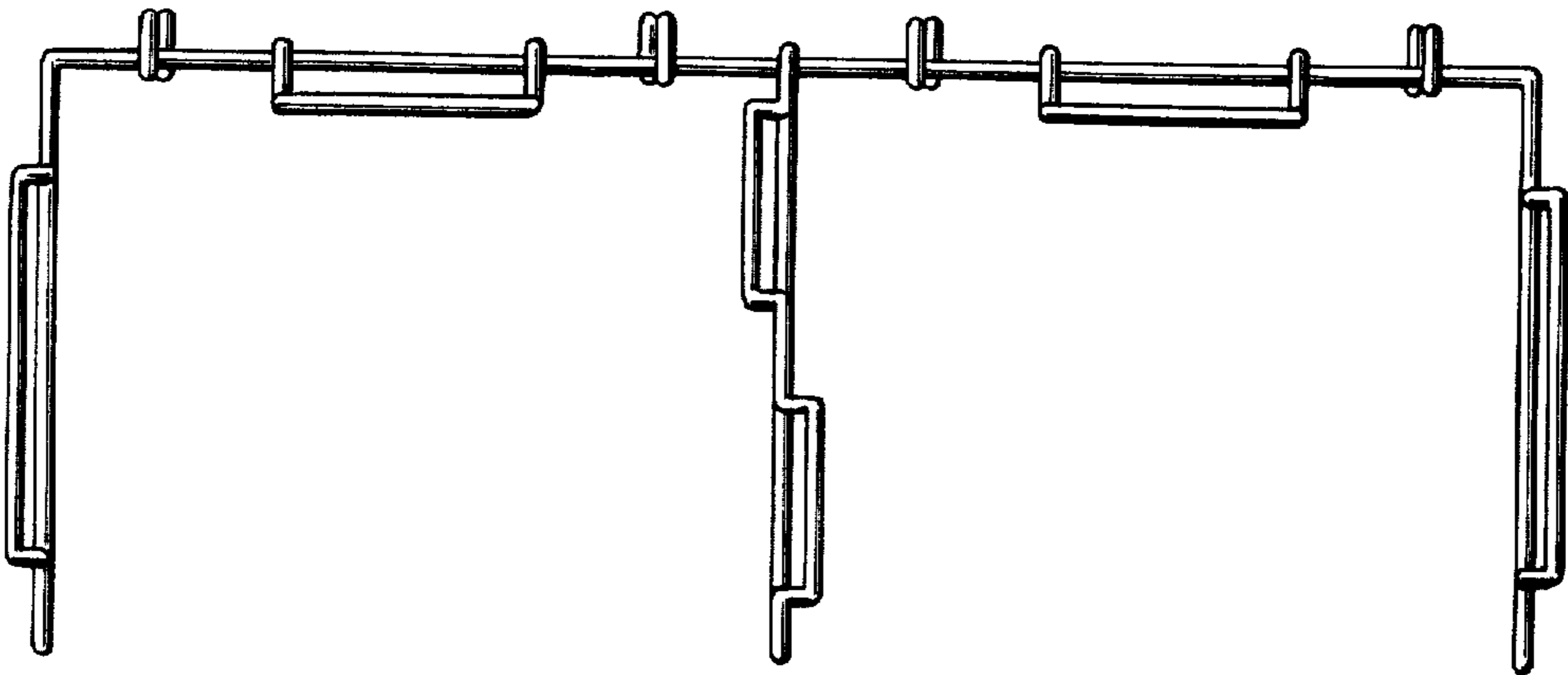


FIG. 2

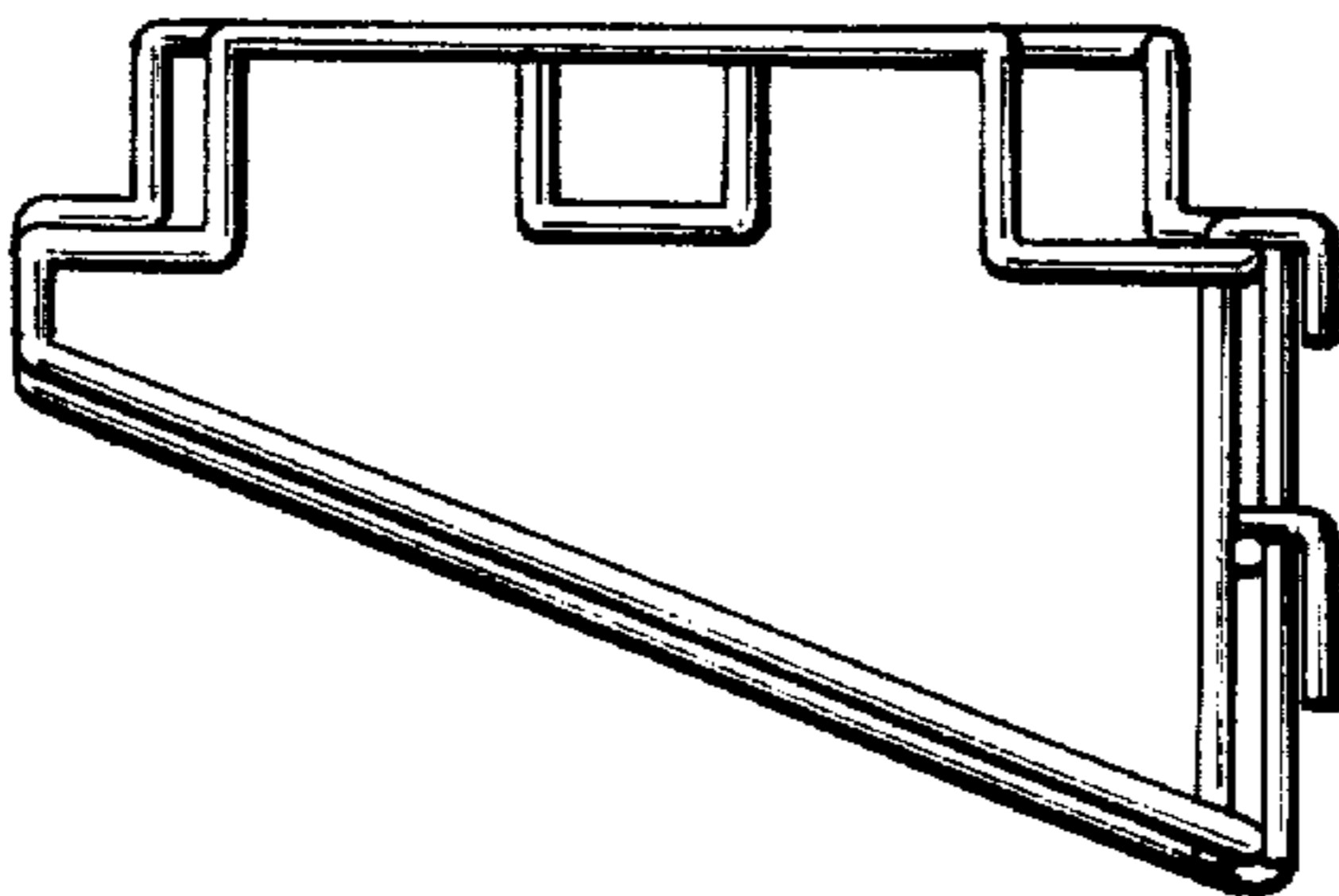


FIG. 3

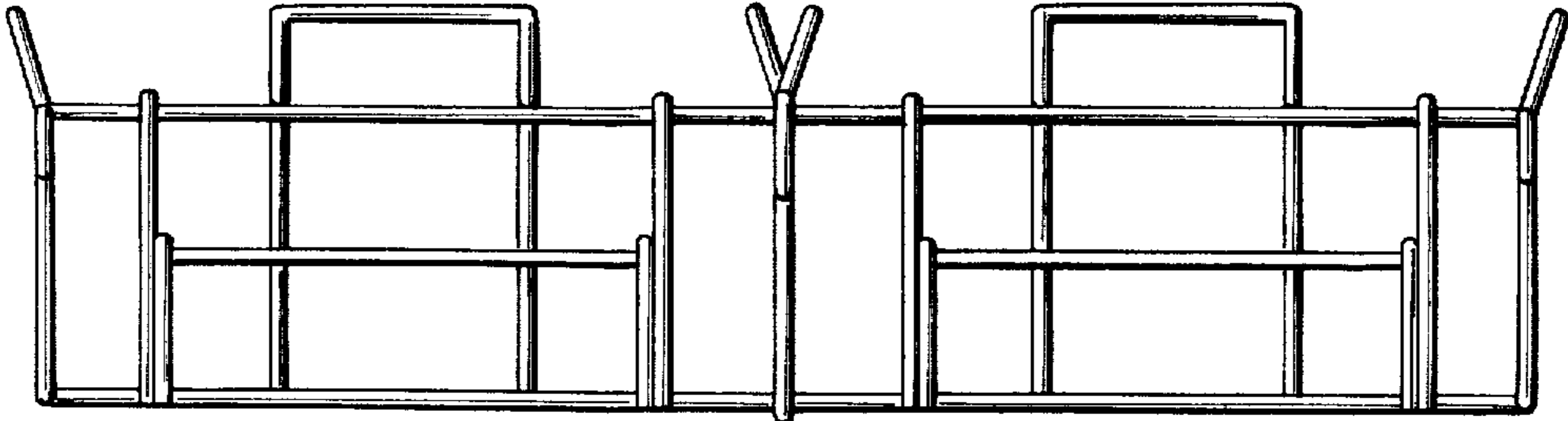


FIG. 4

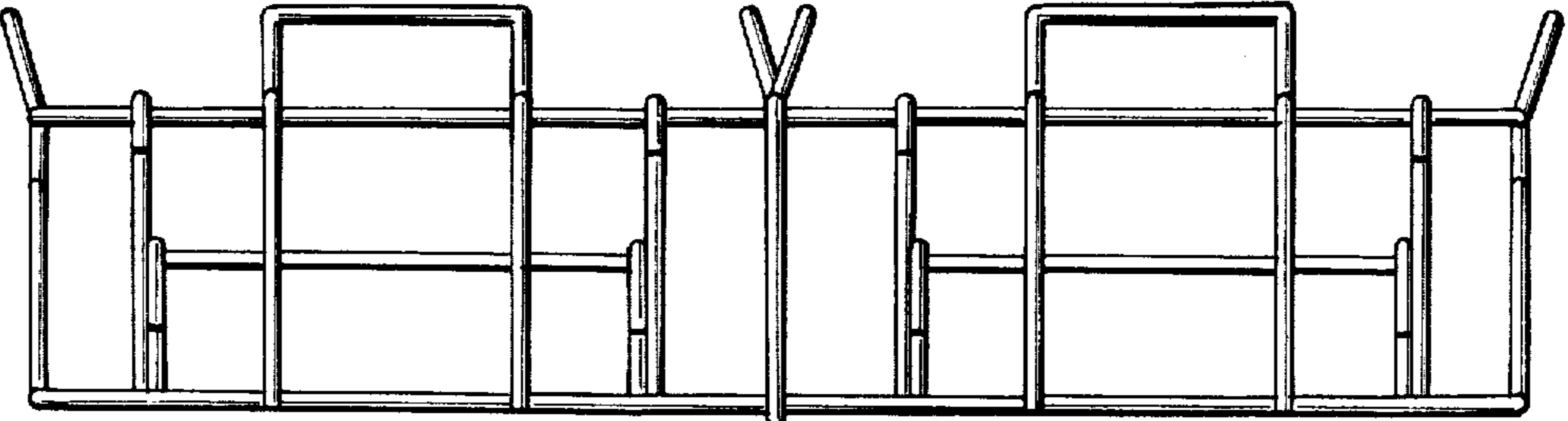


FIG. 5

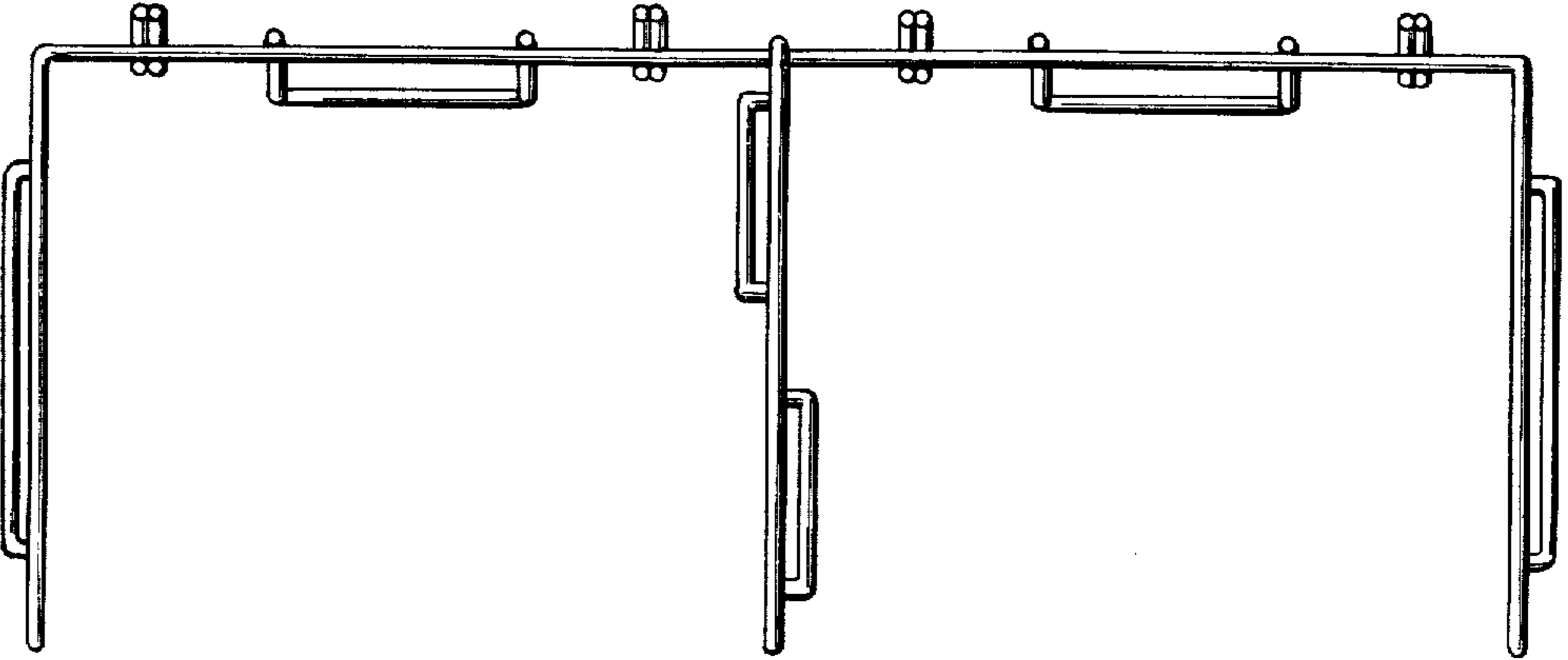


FIG. 6