

[54] CLOTHES HANGER HOLDER

[76] Inventor: Rolf W. Helbig, 24-6679 Shelter Bay Rd., Mississauga, Ontario, Canada, L5N 2A2

[**] Term: 14 Years

[21] Appl. No.: 56,349

[22] Filed: Jul. 10, 1979

[30] Foreign Application Priority Data

Jun. 22, 1979 [CA] Canada 220679

[51] Int. Cl. D6-08; D8-08

[52] U.S. Cl. D6/113; D6/116;
D6/247; D6/257; D8/313

[58] Field of Search D6/113, 114, 116-119,
D6/247, 251; 223/85; 211/113, 123, 118;
248/340; D8/373; 294/143

[56] References Cited

U.S. PATENT DOCUMENTS

| | | | | |
|------------|---------|--------------|-------|---------|
| D. 181,137 | 10/1957 | Furlong | | D8/373 |
| D. 193,919 | 10/1962 | Meyer et al. | | D6/116 |
| D. 194,766 | 3/1963 | Isham | | D6/116 |
| D. 199,007 | 8/1964 | Eklind | | D6/116 |
| 2,604,999 | 7/1952 | Sutton | | 211/113 |

Primary Examiner—B. J. Bullock

Attorney, Agent, or Firm—Donald E. Hewson

[57] CLAIM

The ornamental design for a clothes hanger holder, as shown and described.

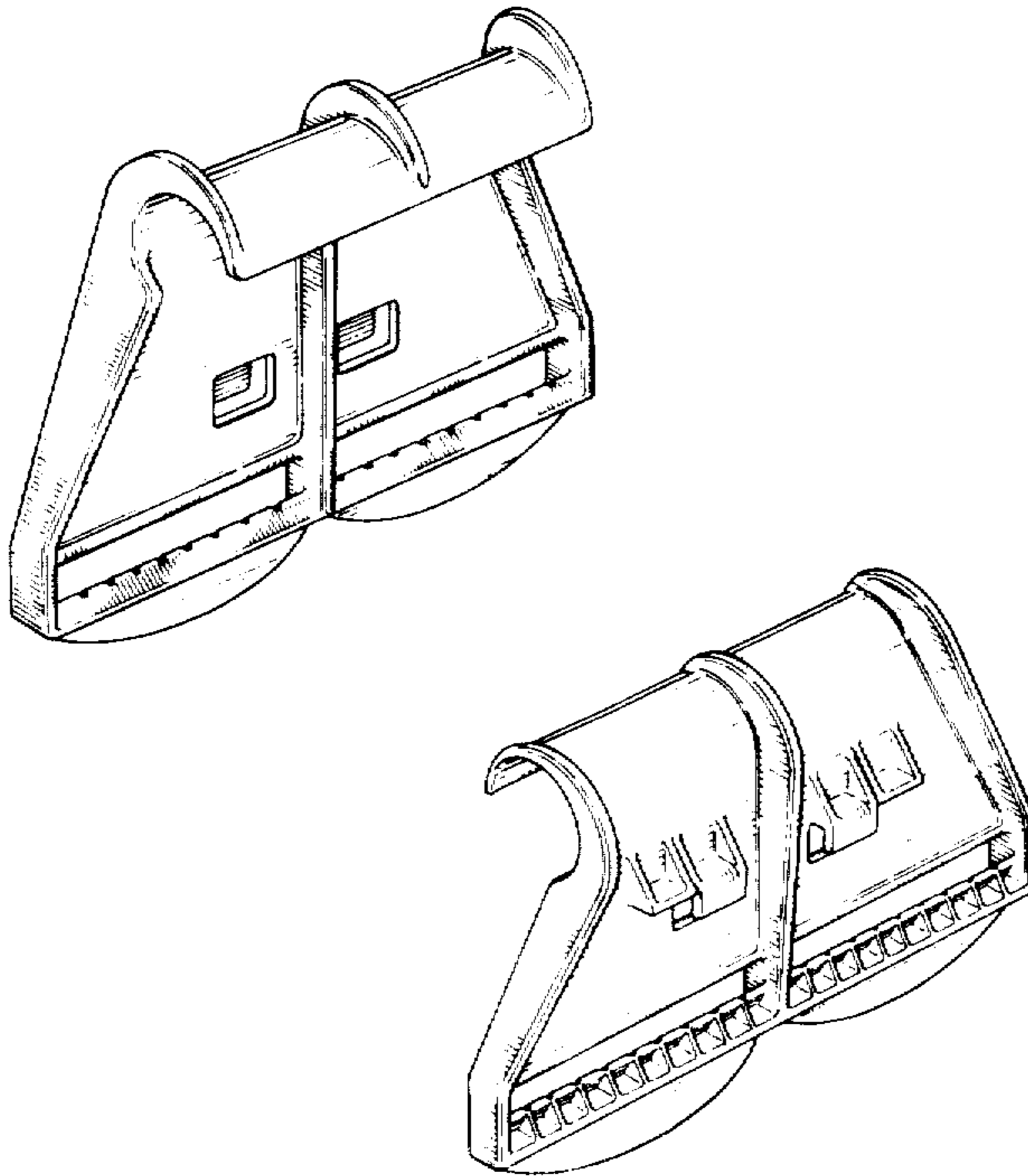
DESCRIPTION

FIG. 1 is a rear perspective view of a clothes hanger holder showing my new design;

FIG. 2 is a front perspective view thereof;

FIG. 3 is a side elevational view thereof;

FIG. 4 is a rear elevational view thereof.



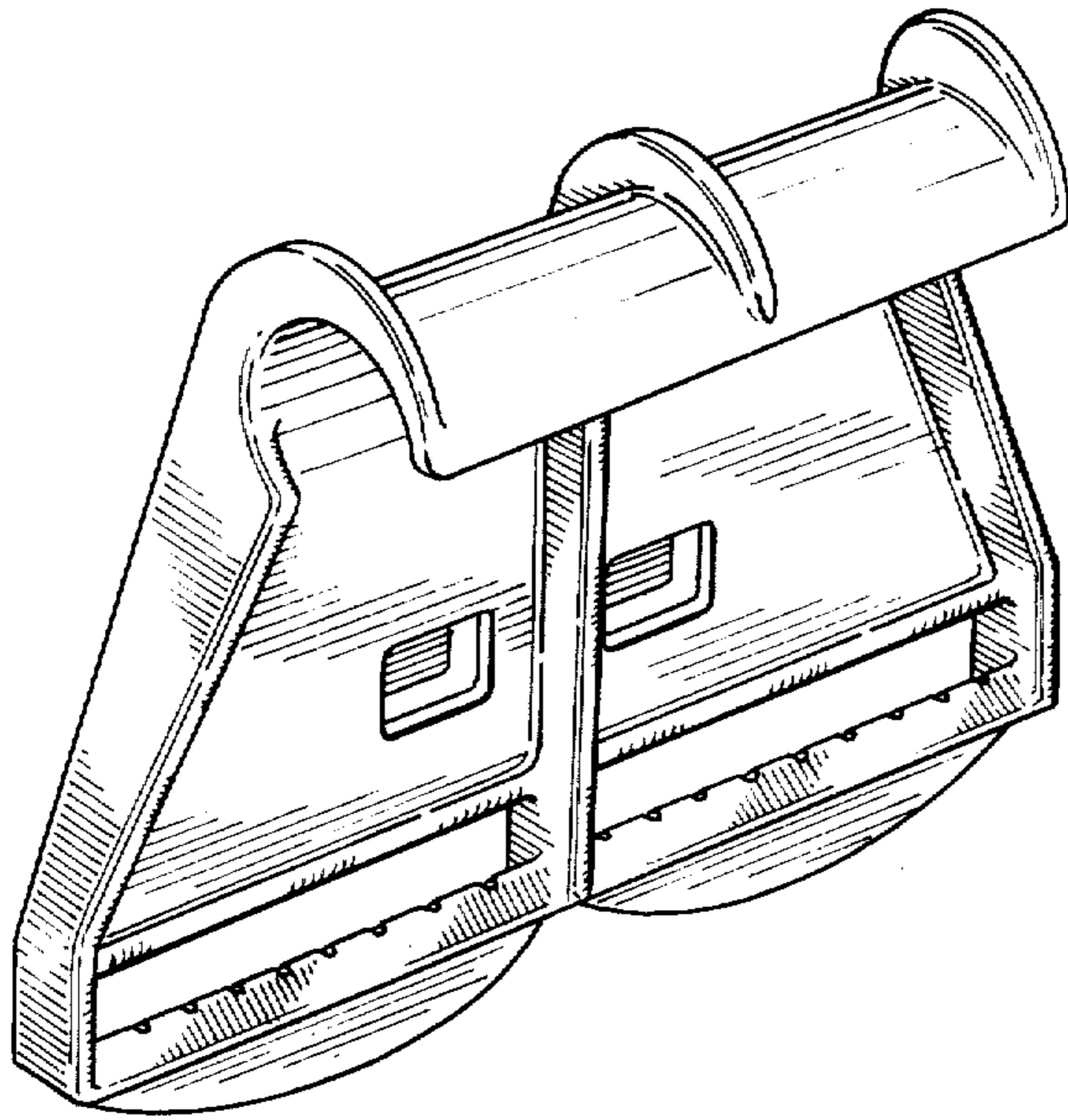


FIG. 1

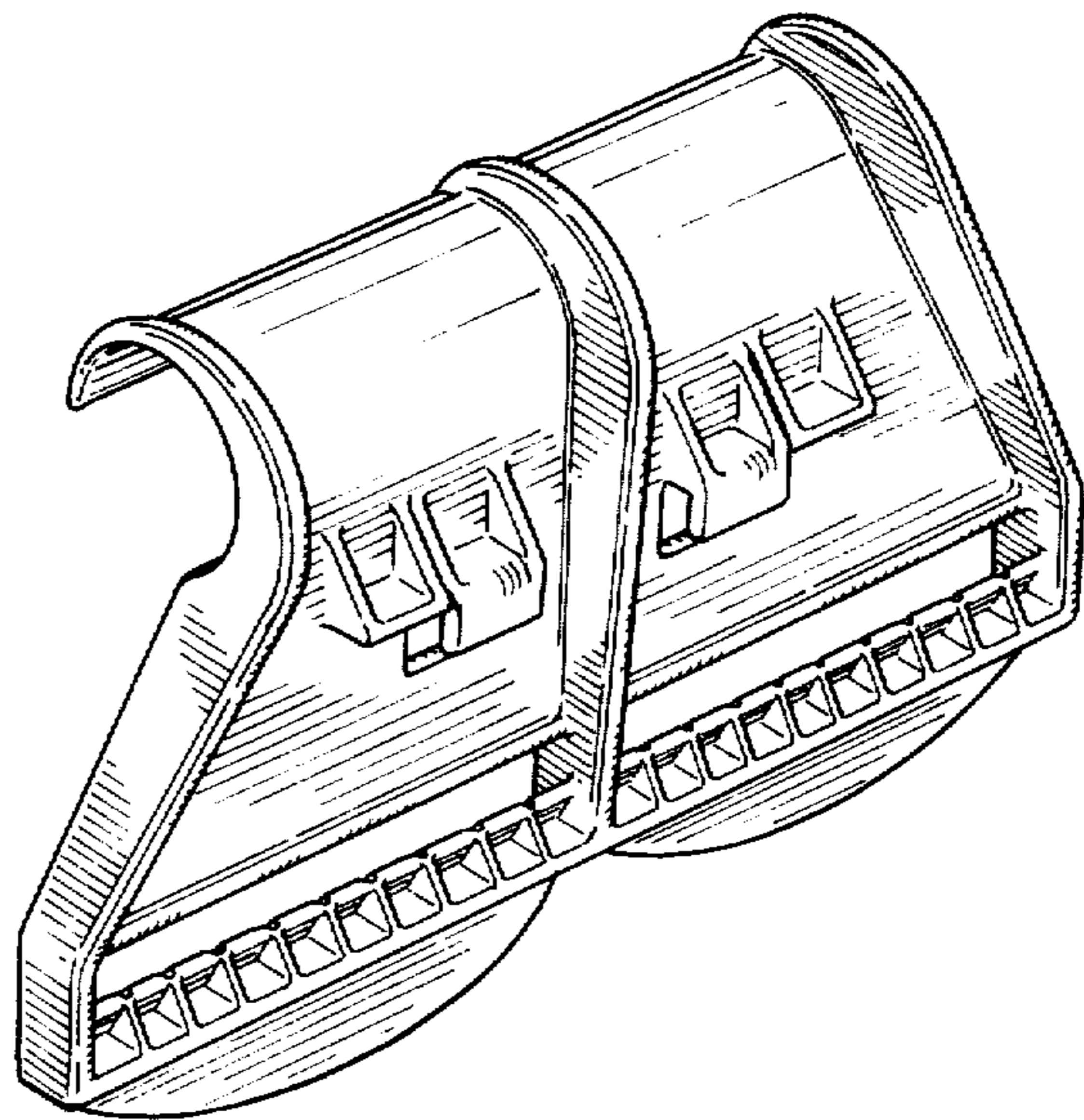


FIG. 2

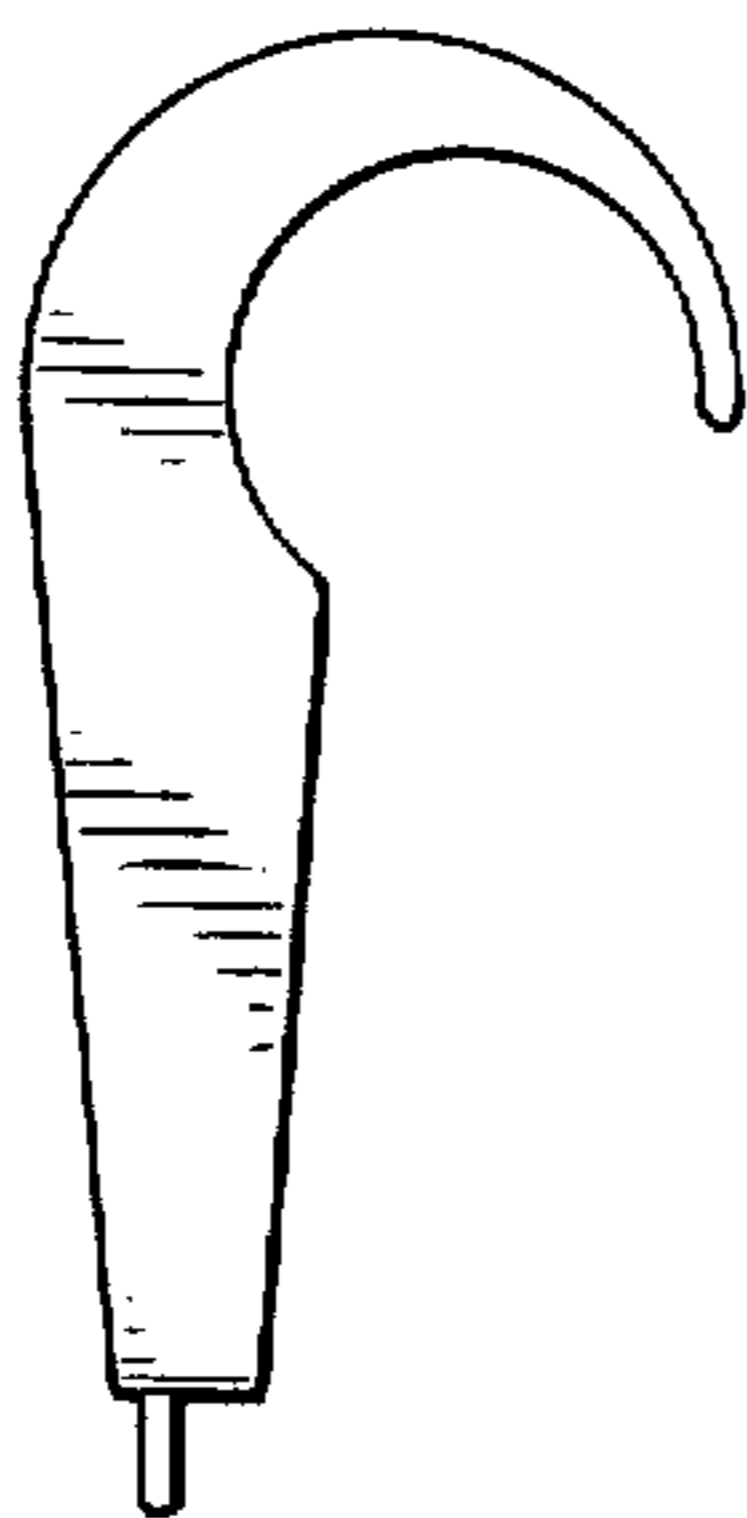


FIG. 3

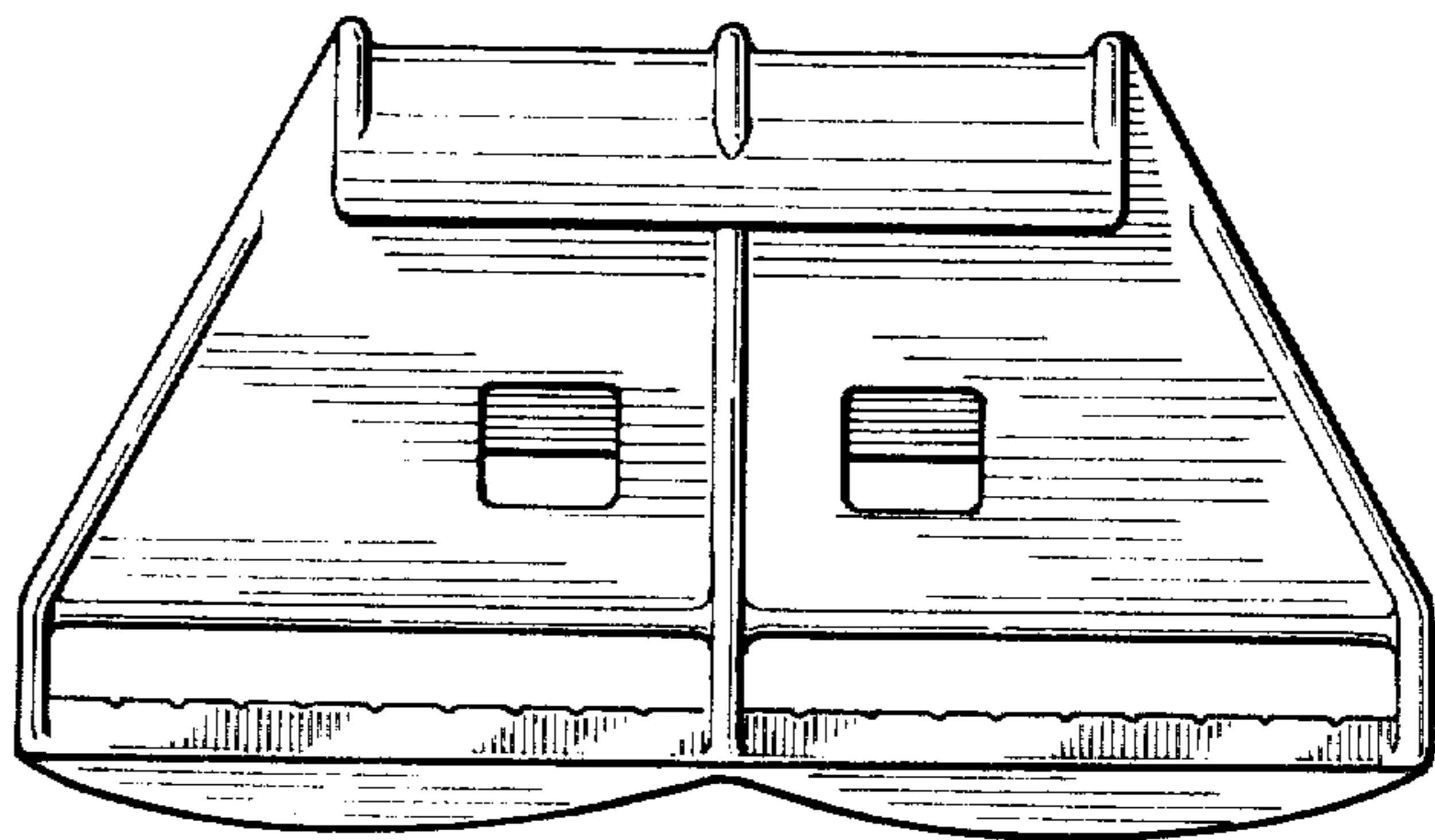


FIG. 4