

[54] SEAT
 [75] Inventor: Alan H. Friedman, Millburn, N.J.
 [73] Assignee: The Bean Station Furniture Factory,
 Bean Station, Tenn.
 [**] Term: 14 Years
 [21] Appl. No.: 85,028
 [22] Filed: Oct. 15, 1979
 [51] Int. Cl. D6-01
 [52] U.S. Cl. D6/63; D6/71
 [58] Field of Search D6/47-78;
 297/239

D. 258,923 4/1981 Collins D6/63 X

OTHER PUBLICATIONS

Schweiger Industries Brochure, Brunswick Gp. Chair No. 05989-1000.

Primary Examiner—Bruce W. Dunkins

[57] CLAIM

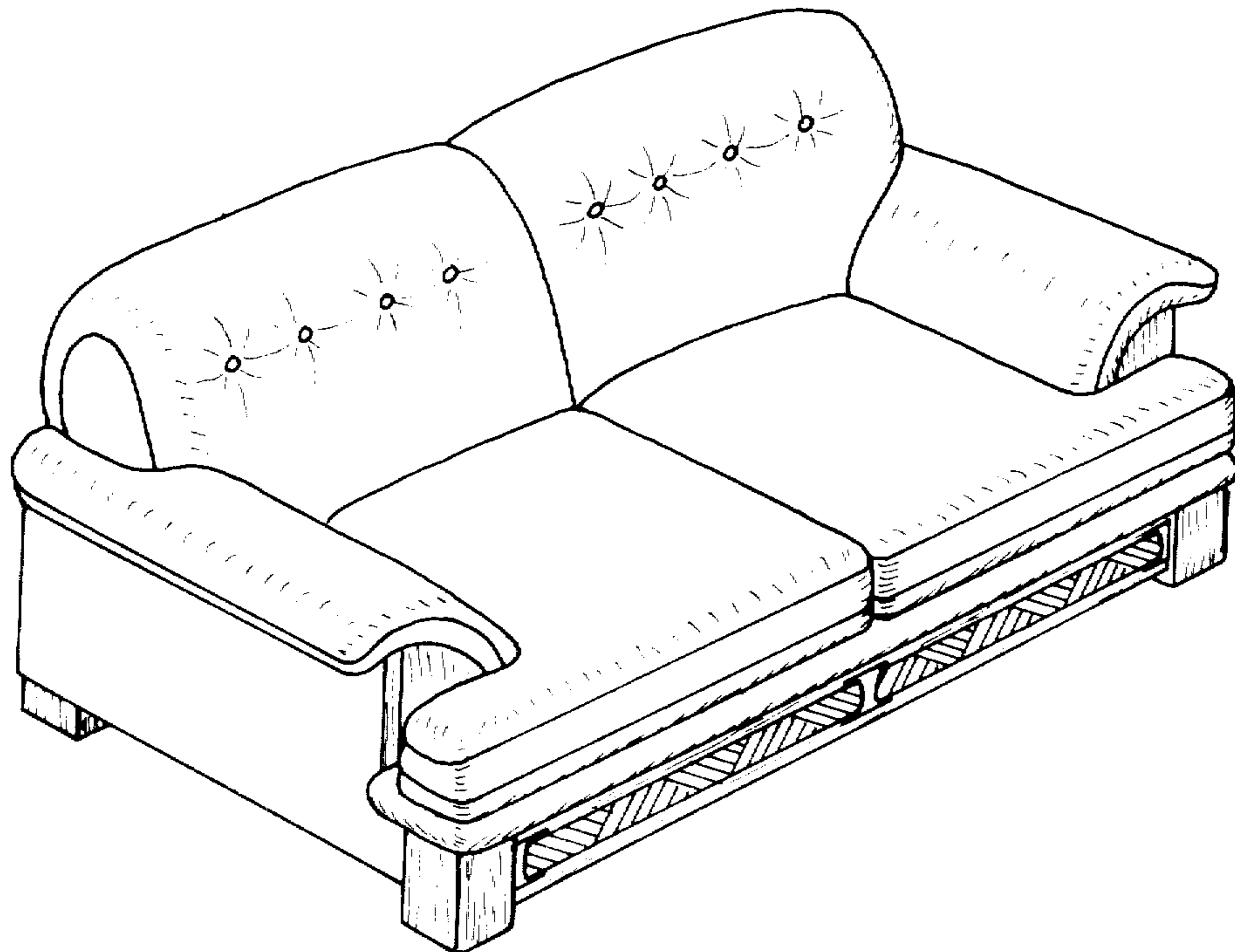
The ornamental design for a seat, as shown and described.

DESCRIPTION

FIG. 1 is a front perspective view of a seat showing my new design in the form of a love seat;
 FIG. 2 is a front elevational view of my design shown in the form of a sofa; and
 FIG. 3 is a front perspective view of my design shown in the form of an armchair.
 The sides of the seat forms not shown are mirror images of the respective sides shown while the undisclosed rear surfaces thereof are conventional in appearance.

[56] References Cited
 U.S. PATENT DOCUMENTS

- D. 246,684 12/1977 Nash D6/63
- D. 248,261 6/1978 McCarthy D6/63
- D. 248,602 7/1978 Long D6/63
- D. 251,705 5/1979 Fuldner D6/63



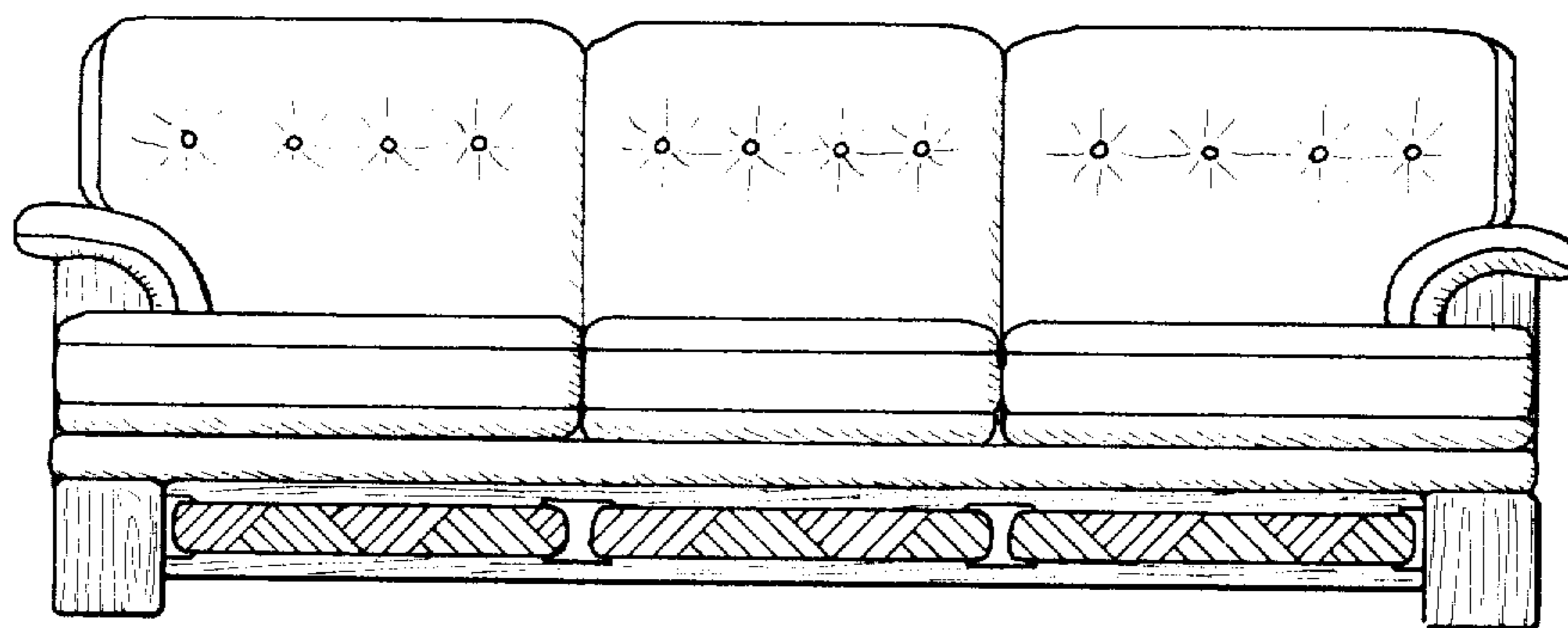


FIG. 2

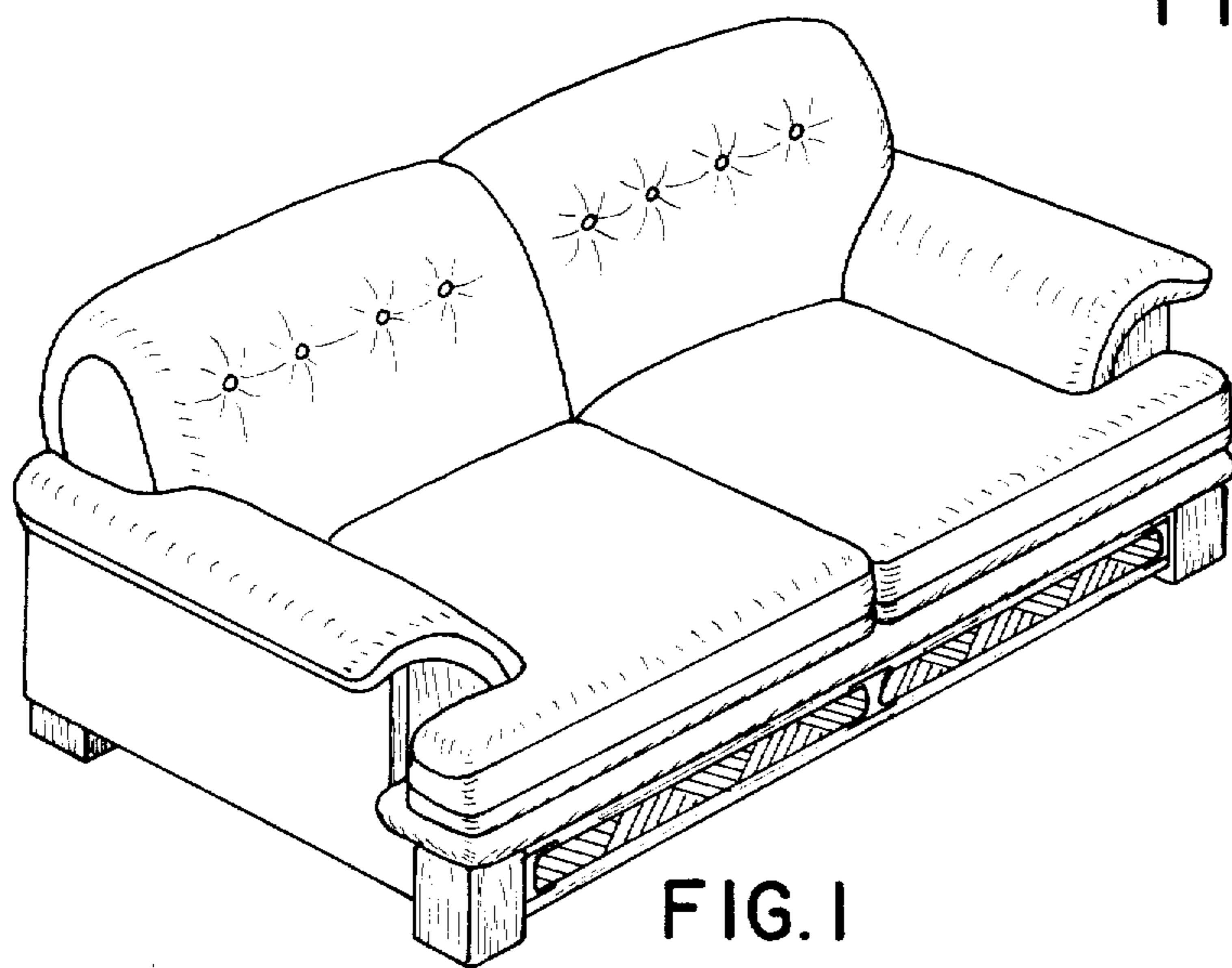


FIG. 1

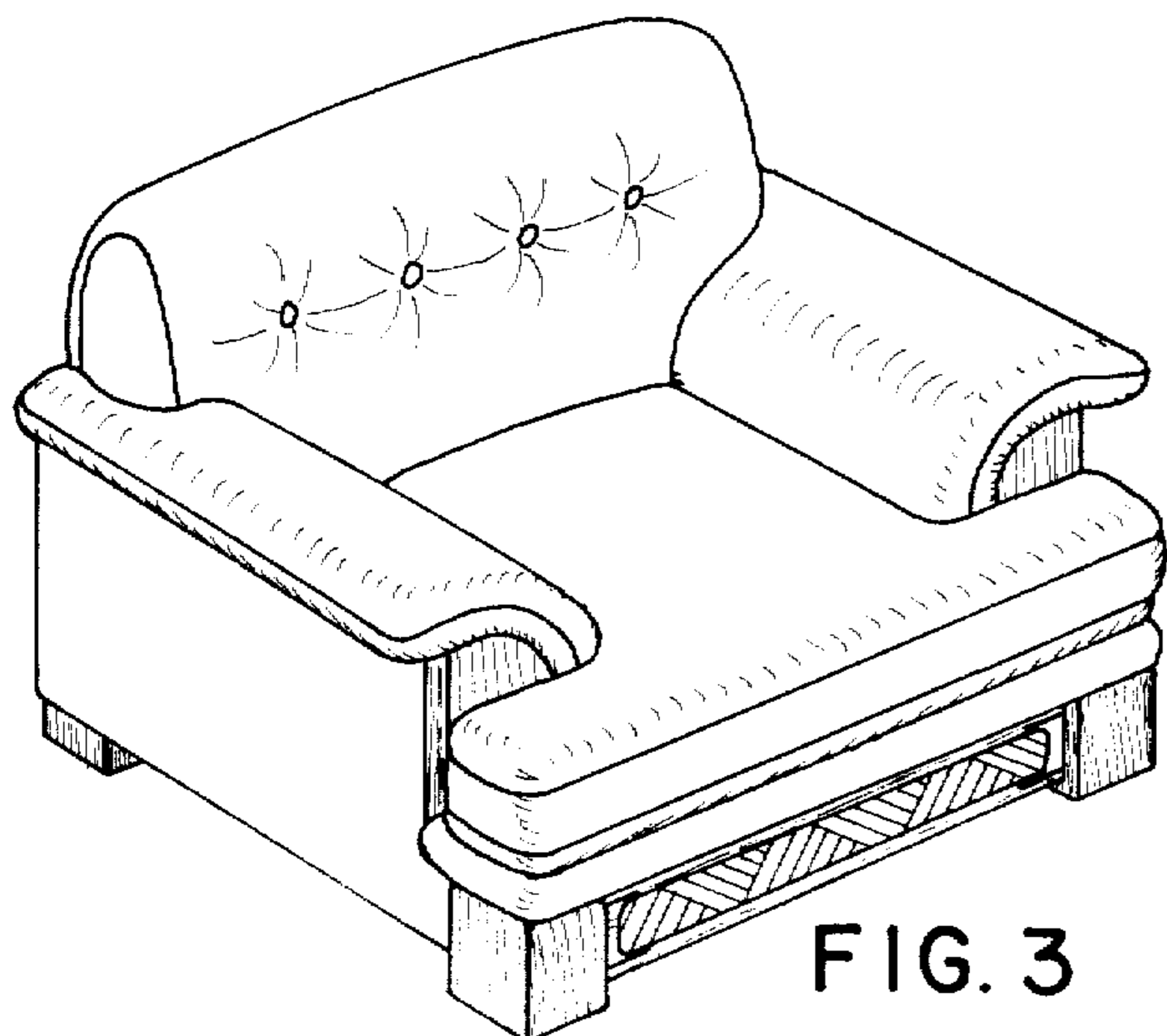


FIG. 3