

[54] **CHAIR**

[75] Inventor: **Gerd Lange, Kapsweyer, Fed. Rep. of Germany**

[73] Assignee: **Schlapp Moebel GmbH & Co. KG, Neu-Anspach, Fed. Rep. of Germany**

[\*\*] Term: **14 Years**

[21] Appl. No.: **22,157**

[22] Filed: **Mar. 20, 1979**

[30] **Foreign Application Priority Data**  
Sep. 22, 1978 [DE] Fed. Rep. of Germany ..... 59

[51] Int. Cl. .... **D6-01**  
[52] U.S. Cl. .... **D6/47; D6/66**  
[58] Field of Search ..... **D6/47-78**

[56] **References Cited**

**U.S. PATENT DOCUMENTS**

D. 232,501 8/1974 Longato ..... D6/66  
D. 234,556 3/1975 Hauner ..... D6/66  
D. 244,732 6/1977 Introini ..... D6/66 X

**OTHER PUBLICATIONS**

Progressive Architecture, Sep. 1977, p. 124, chair right center by Flex.  
Interiors, Apr. 1973, p. 147, chair No. 122, bottom center by Cassina.

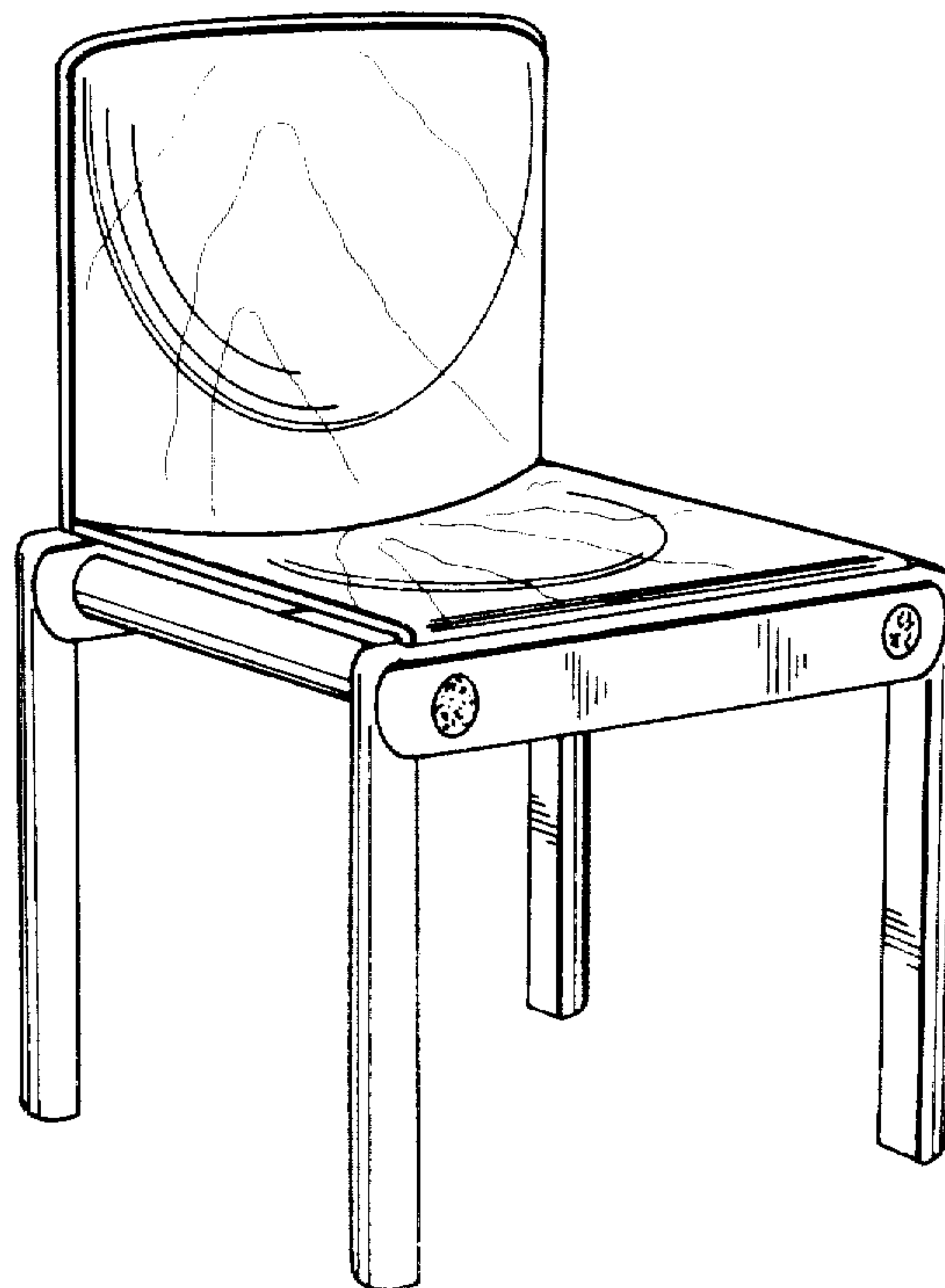
*Primary Examiner*—Bruce W. Dunkins  
*Attorney, Agent, or Firm*—Michael J. Striker

[57] **CLAIM**

The ornamental design for a chair, substantially as shown and described.

**DESCRIPTION**

FIG. 1 is a perspective view from the front, top and one side of a chair embodying my new design;  
FIG. 2 is a perspective view from the rear, top and other side of the chair in FIG. 1;  
FIG. 3 is a top plan view thereof; and  
FIG. 4 is a side elevational view thereof.



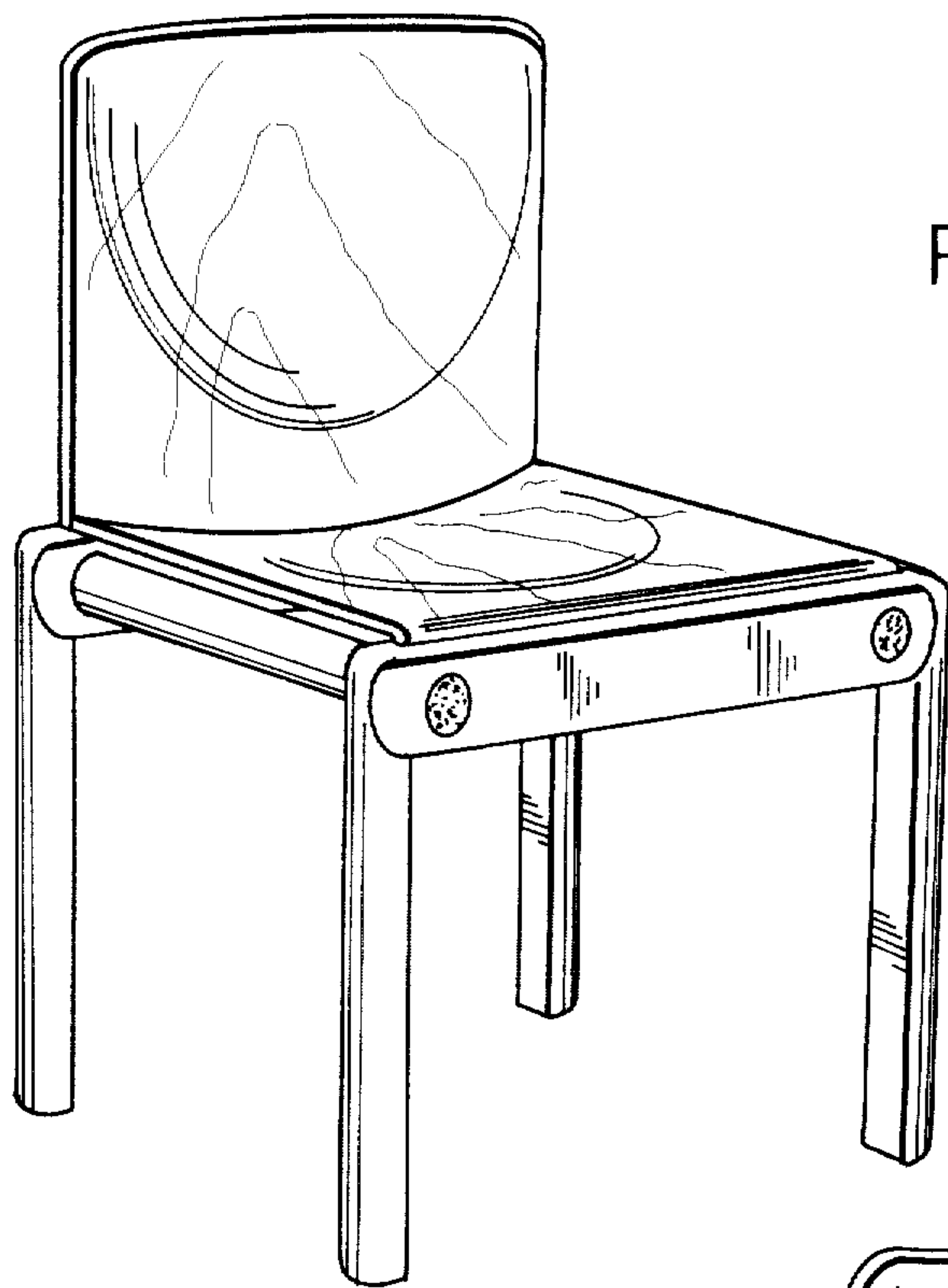


FIG. 1

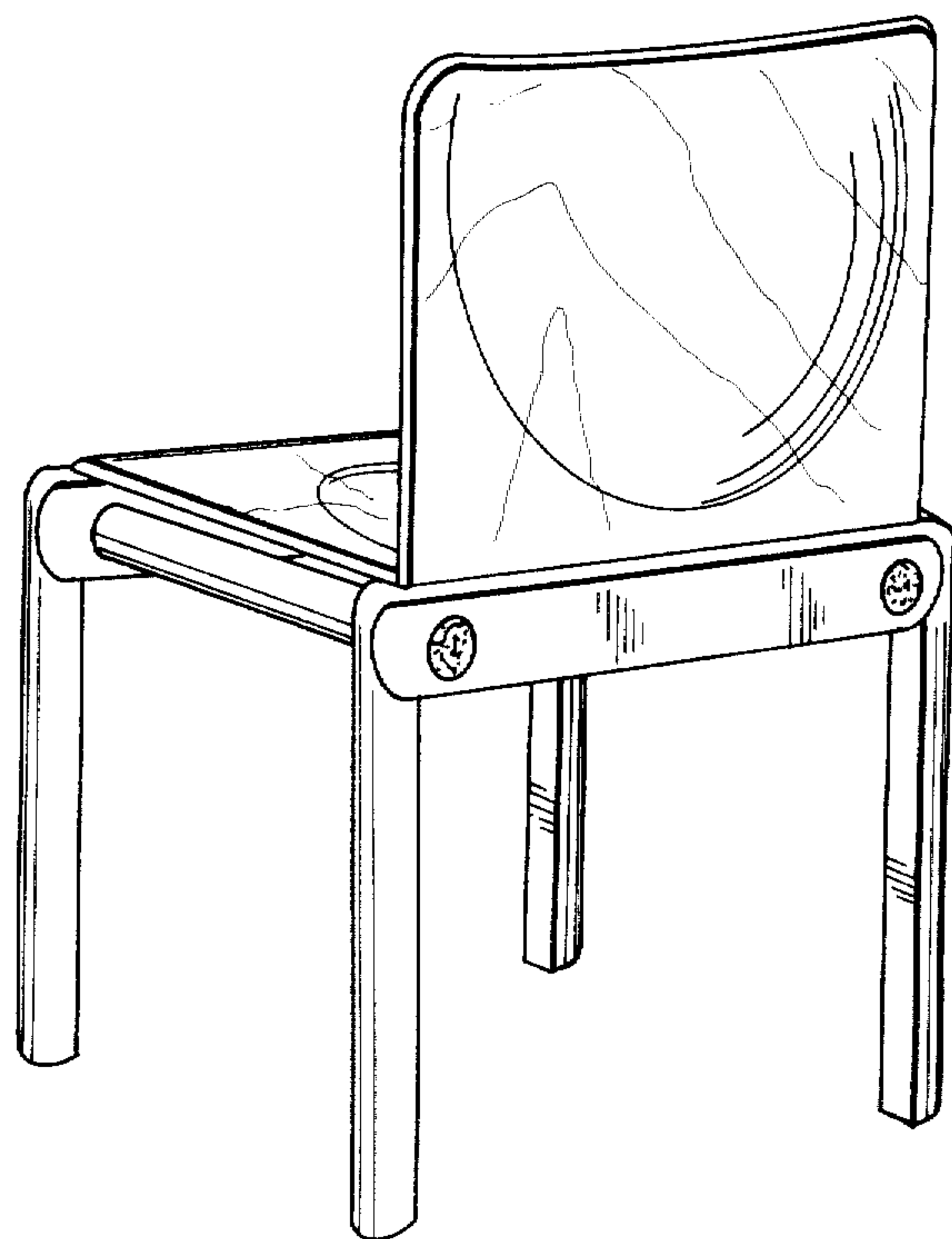


FIG. 2

FIG. 3

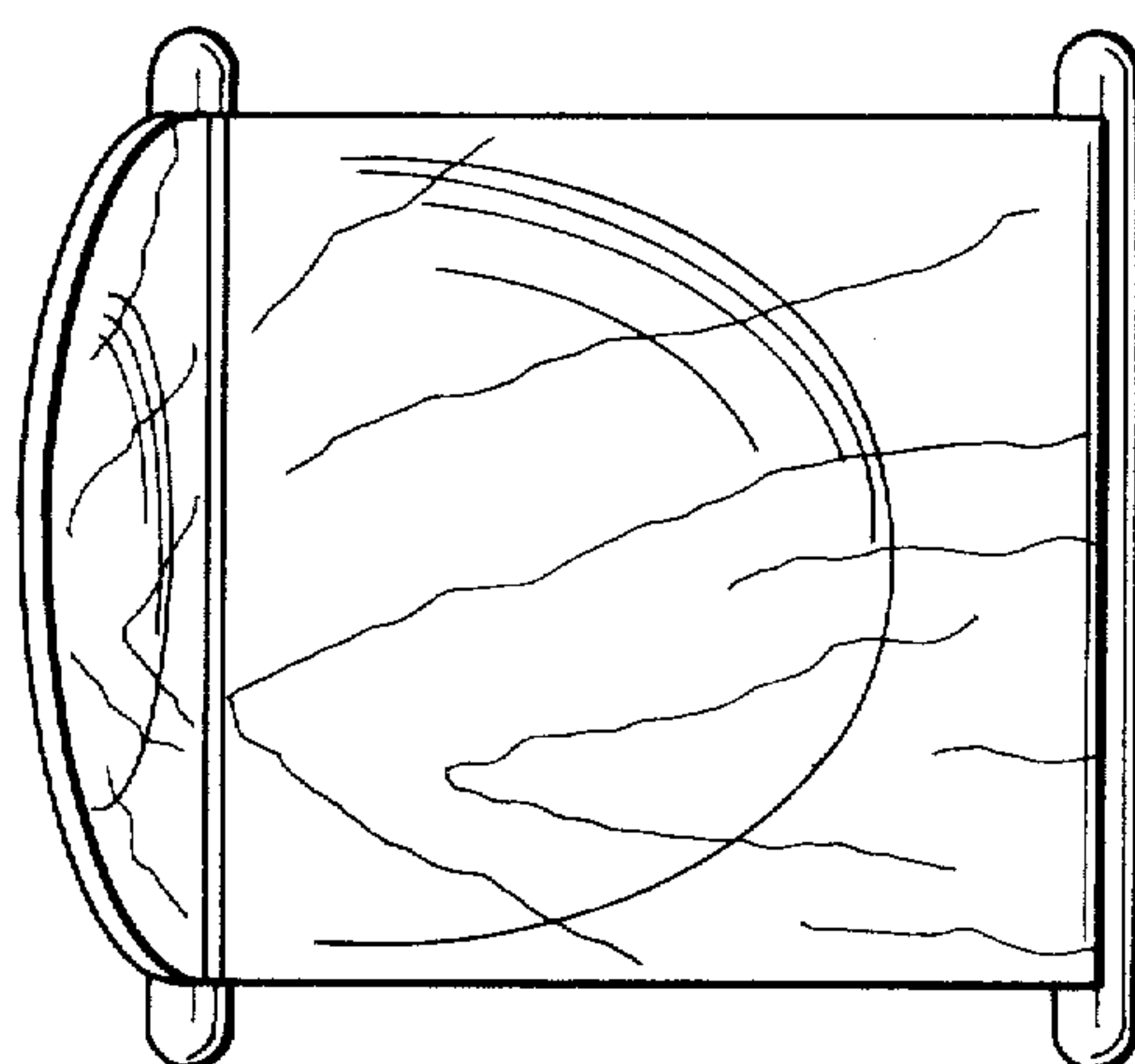


FIG. 4

