

[54] TOOL BOX
[76] Inventor: Donald R. Perkins, 6 Hammond Rd.,
Natick, Mass. 01760
[**] Term: 14 Years
[21] Appl. No.: 78,100
[22] Filed: Sep. 24, 1979
[51] Int. Cl. D3-02
[52] U.S. Cl. D3/74; D3/78
[58] Field of Search D3/30, 30.5, 72, 74,
D3/78; 312/244, DIG. 33; 206/372, 373

[56] References Cited
U.S. PATENT DOCUMENTS
D. 94,708 2/1935 Piffath D3/74

1,984,345 12/1934 Kennedy 312/DIG. 33
2,286,427 6/1942 Levensten 312/DIG. 33
2,739,863 3/1956 Ferris 312/DIG. 33

Primary Examiner—George P. Word
Attorney, Agent, or Firm—Irving M. Kriegsmann

[57] CLAIM

The ornamental design for a tool box, as shown and described.

DESCRIPTION

FIG. 1 is a perspective view of a tool box showing my new design;
FIG. 2 is a bottom rear perspective view thereof; and in
FIG. 3 is an exploded perspective view thereof with the covers open and a portion of the right sidewall broken away to show the interior.

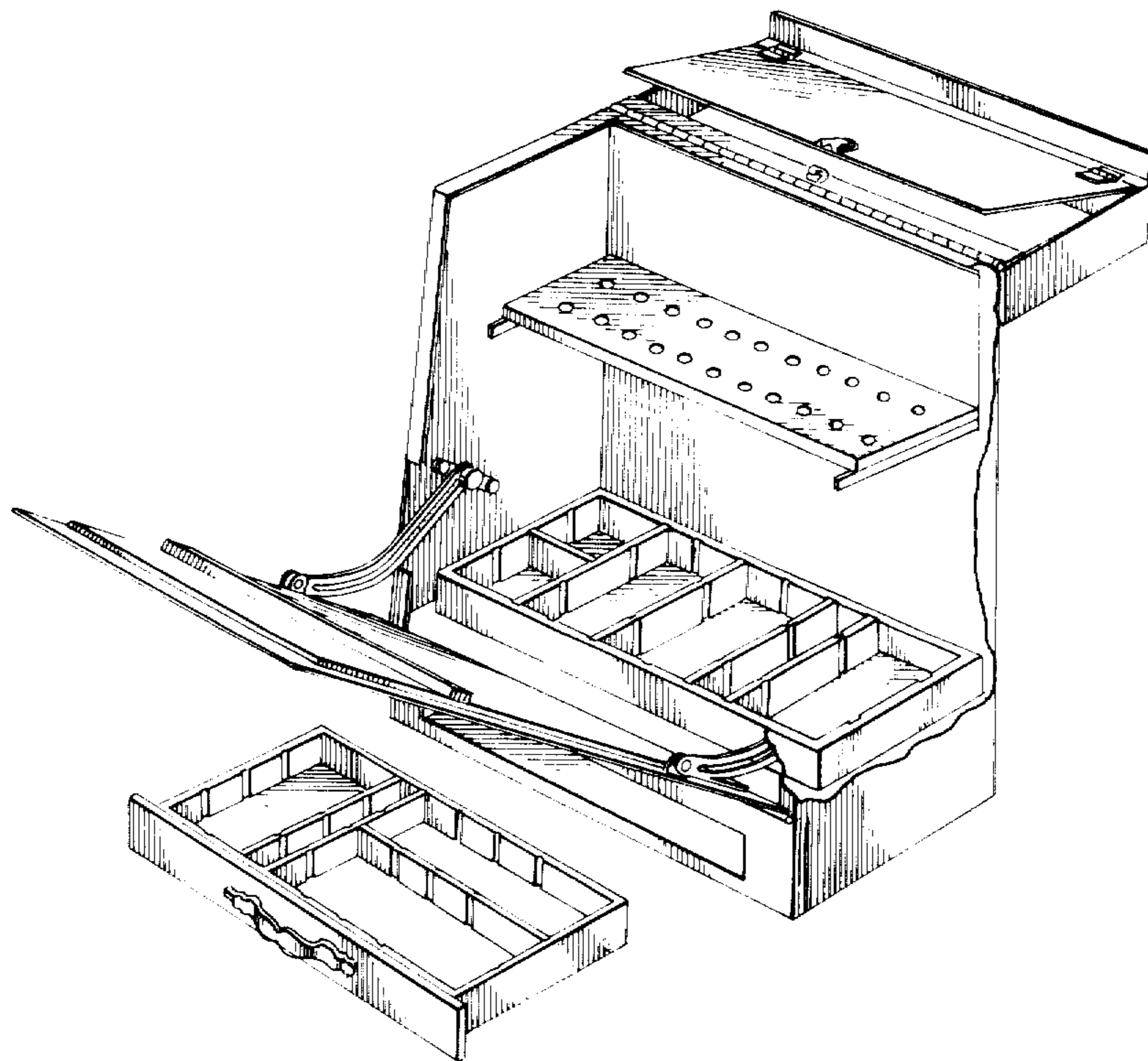


FIG. 1

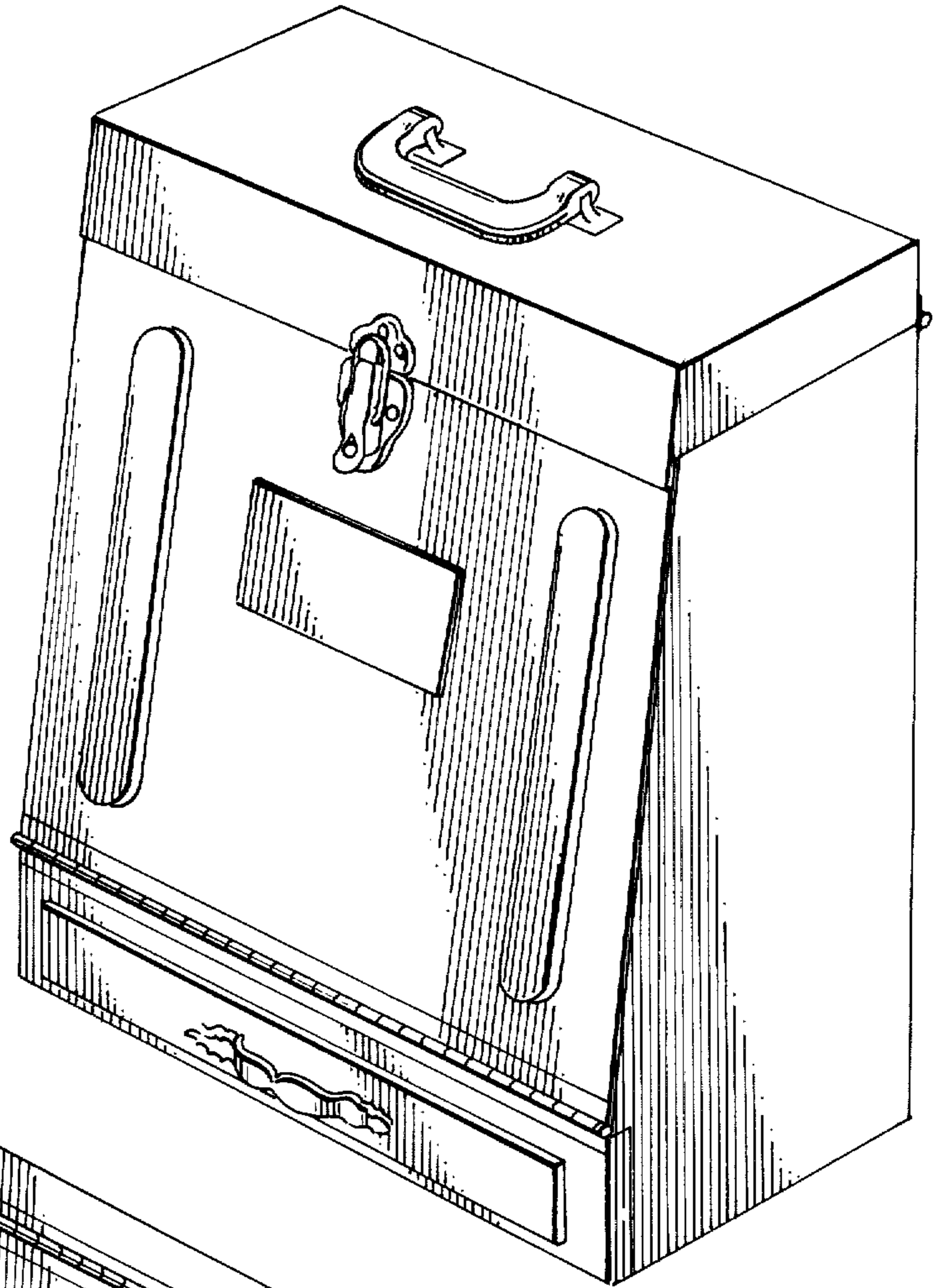
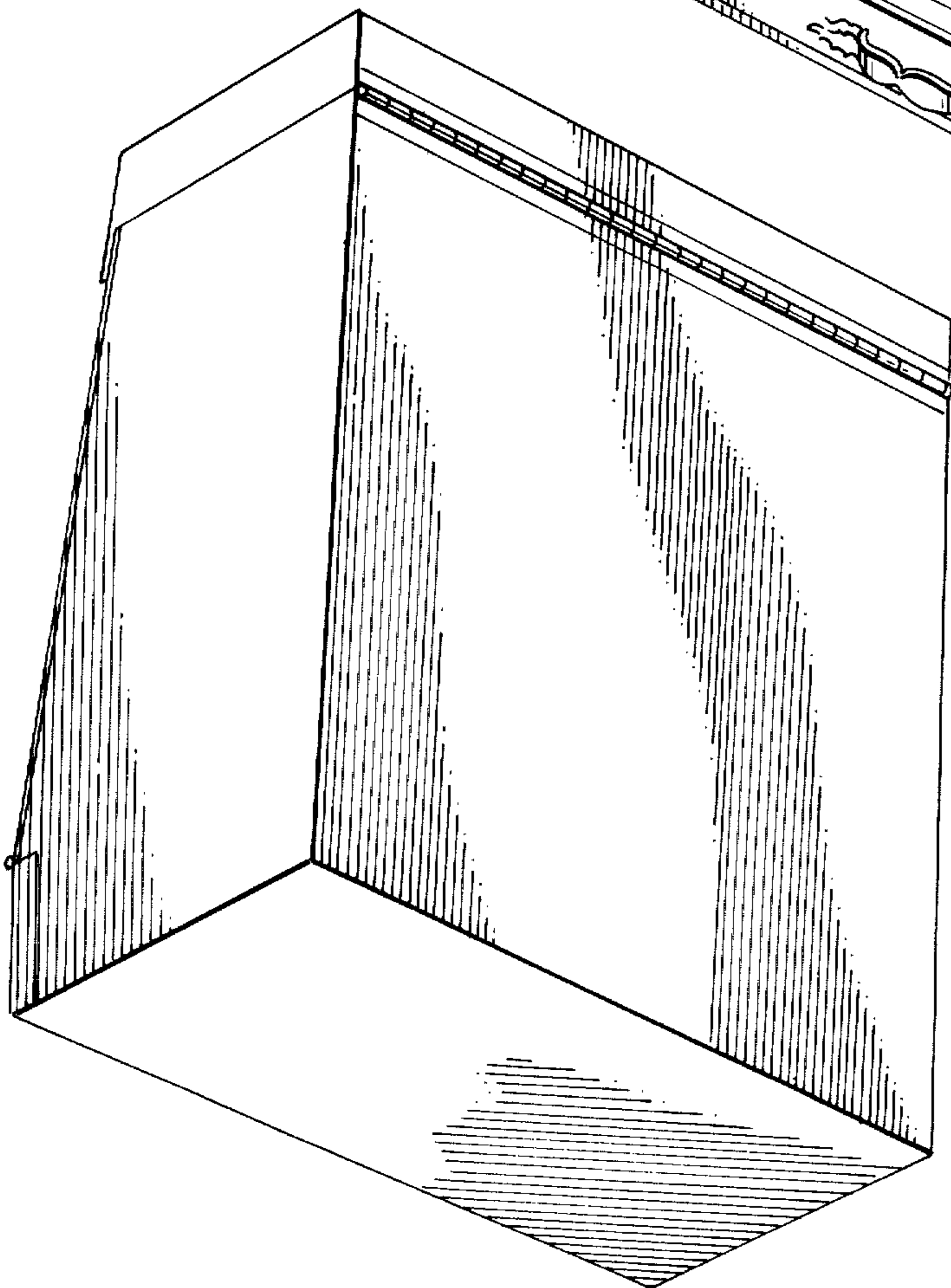


FIG. 2



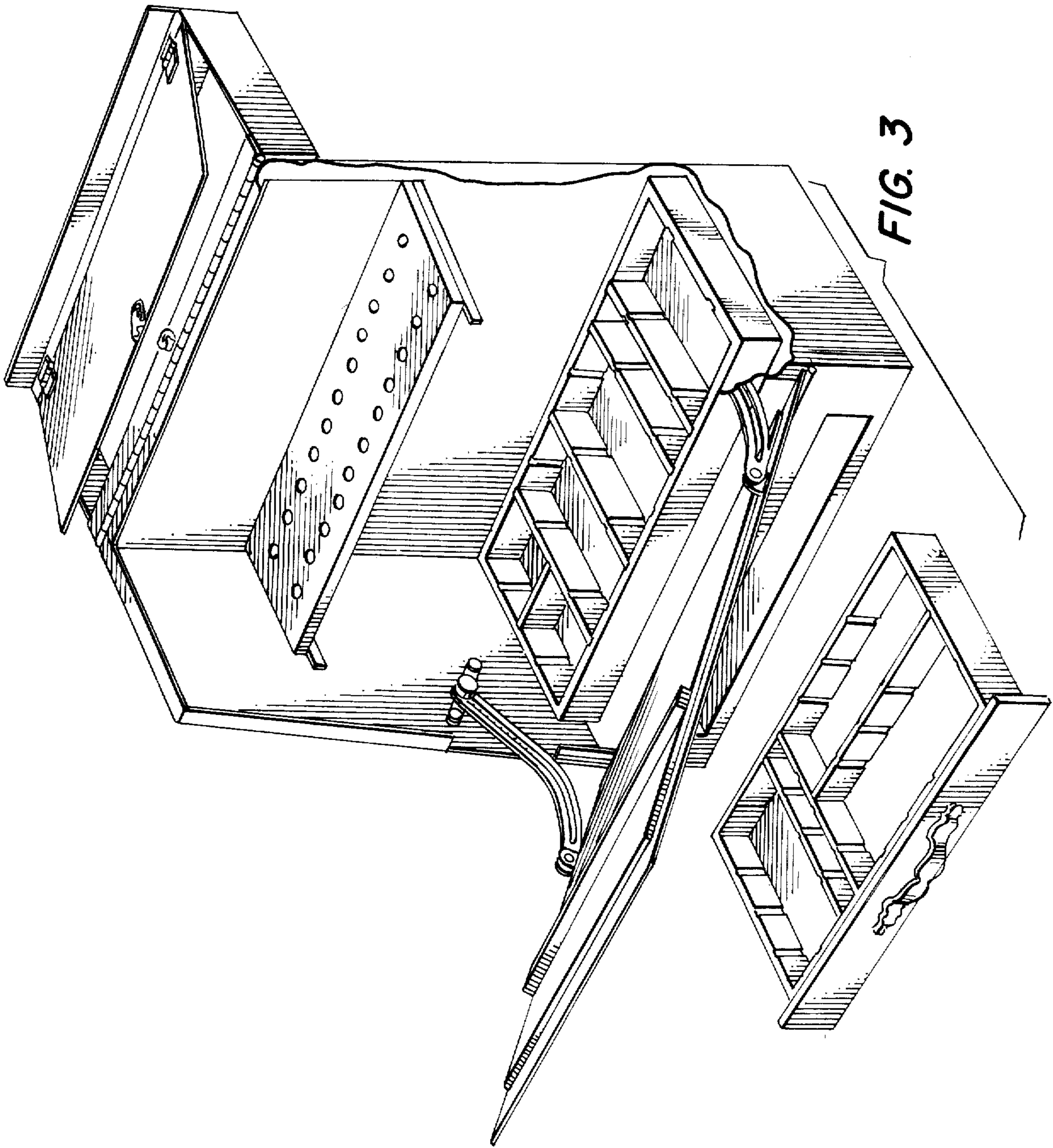


FIG. 3