

[54] WELDING SHIELD

[75] Inventor: Claes E. Rosenius, Malmö, Sweden

[73] Assignee: Tegma AB, Malmö, Sweden

[\*\*] Term: 14 Years

[21] Appl. No.: 94,022

[22] Filed: Nov. 14, 1979

[30] Foreign Application Priority Data

May 18, 1979 [SE] Sweden ..... 79-1280

[51] Int. Cl. .... D2-03

[52] U.S. Cl. .... D2/233

[58] Field of Search ..... D2/231, 232, 233, 234;  
2/8, 9, 424

[56] References Cited

U.S. PATENT DOCUMENTS

2,056,027	9/1936	Tracey .....	D2/233 X
3,103,667	9/1963	Rogowski .....	D2/233 X
3,147,487	9/1964	Hoefman .....	2/427
3,517,392	6/1970	Hodge et al. ....	2/8

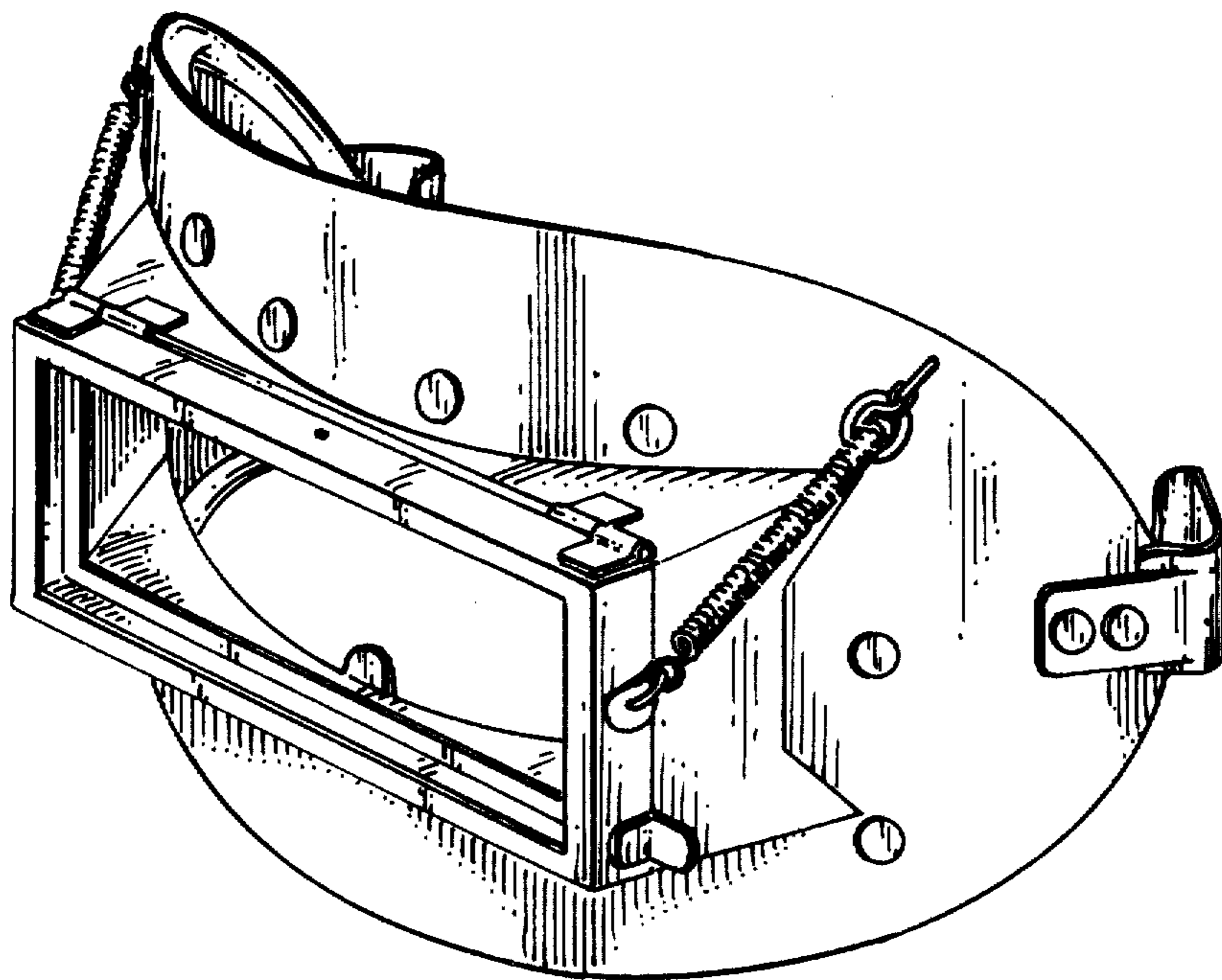
Primary Examiner—Lester L. Lee  
Attorney, Agent, or Firm—Ladas & Parry

[57] CLAIM

The ornamental design for a welding shield, as shown and described.

DESCRIPTION

FIG. 1 is a perspective view of the welding shield showing my new design;  
FIG. 2 is a perspective view thereof with the viewing window open;  
FIG. 3 is a side elevational view thereof, the opposite side being identical;  
FIG. 4 is a rear elevational view thereof; and  
FIG. 5 is a bottom plan view thereof.



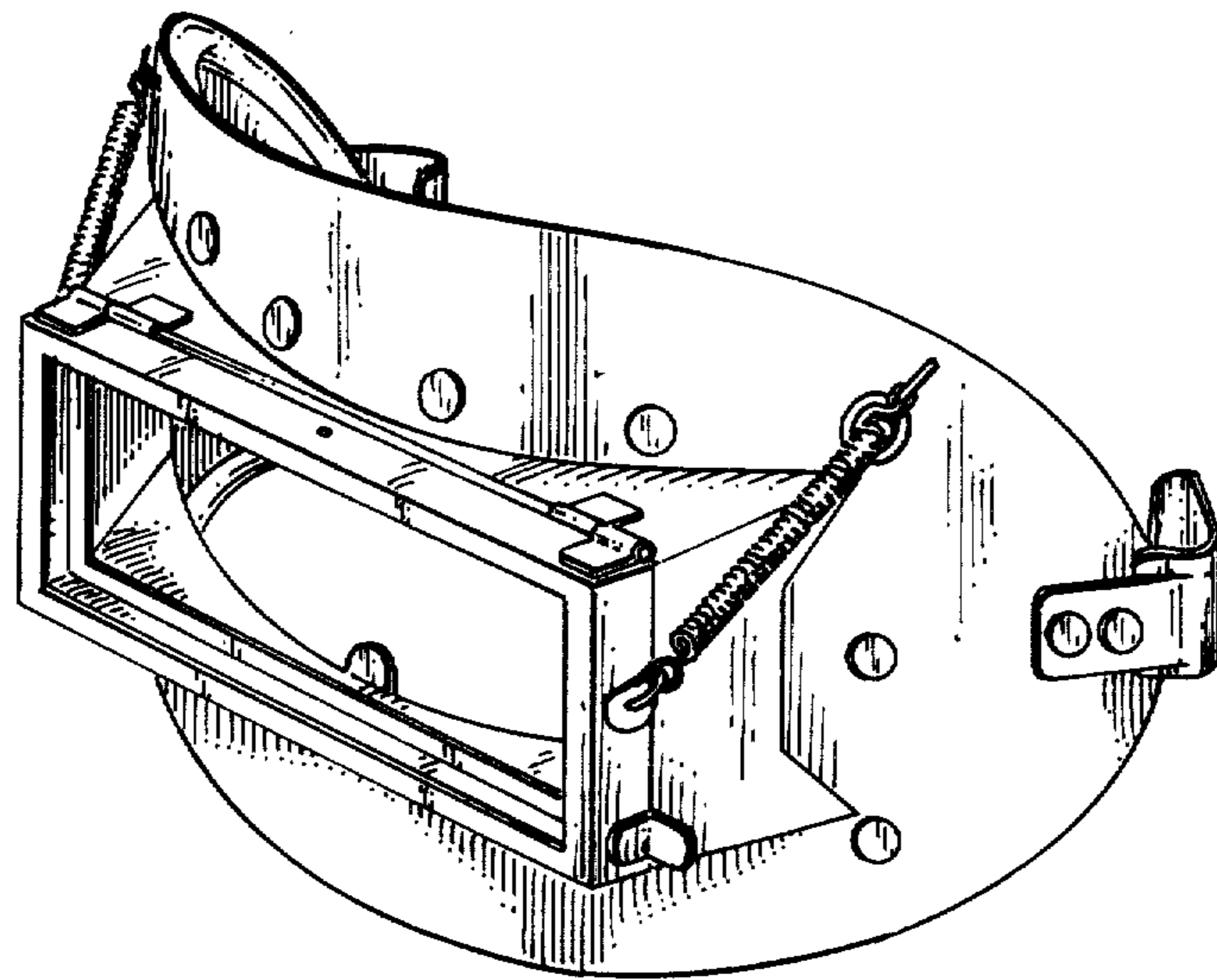


FIG. 1

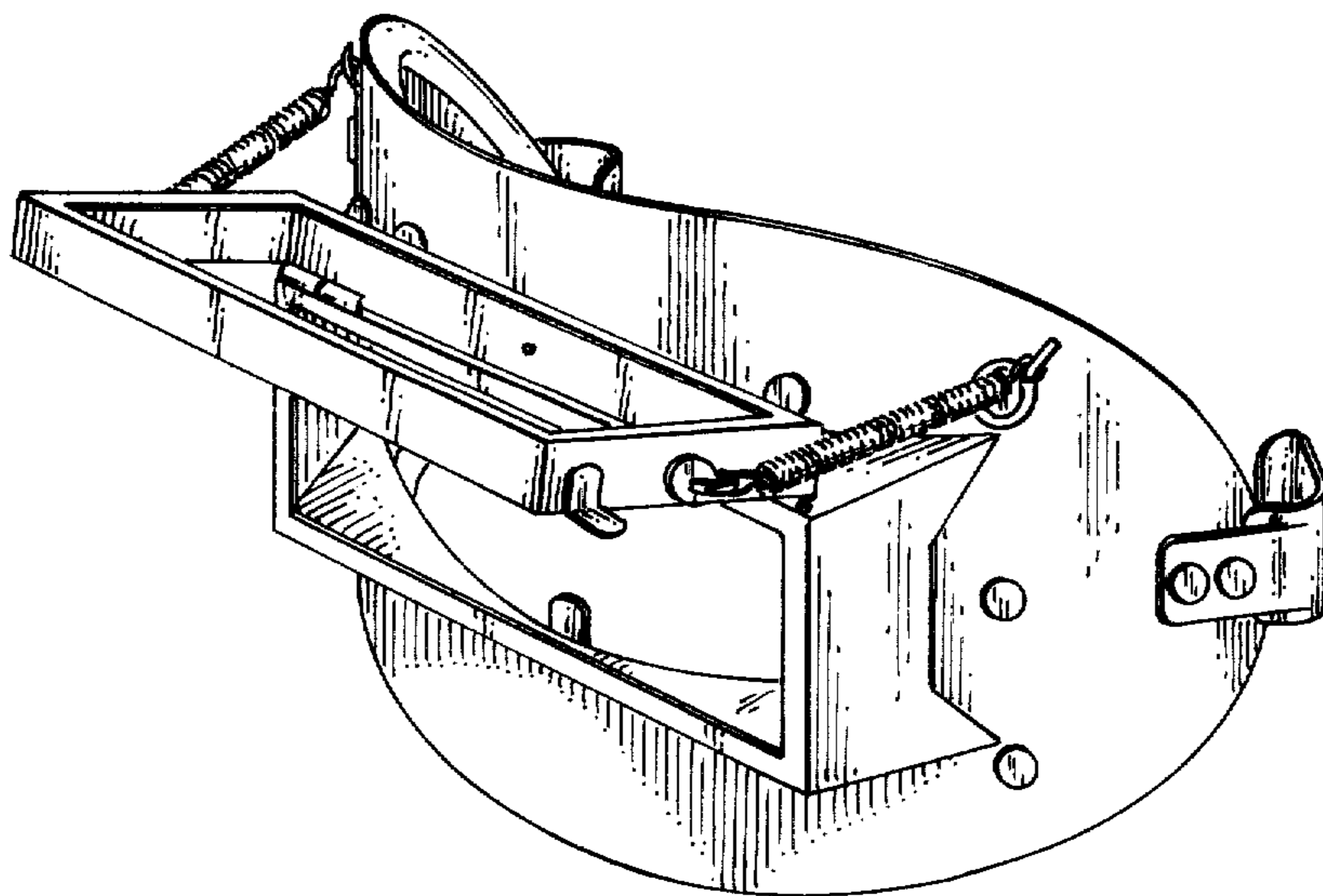


FIG. 2

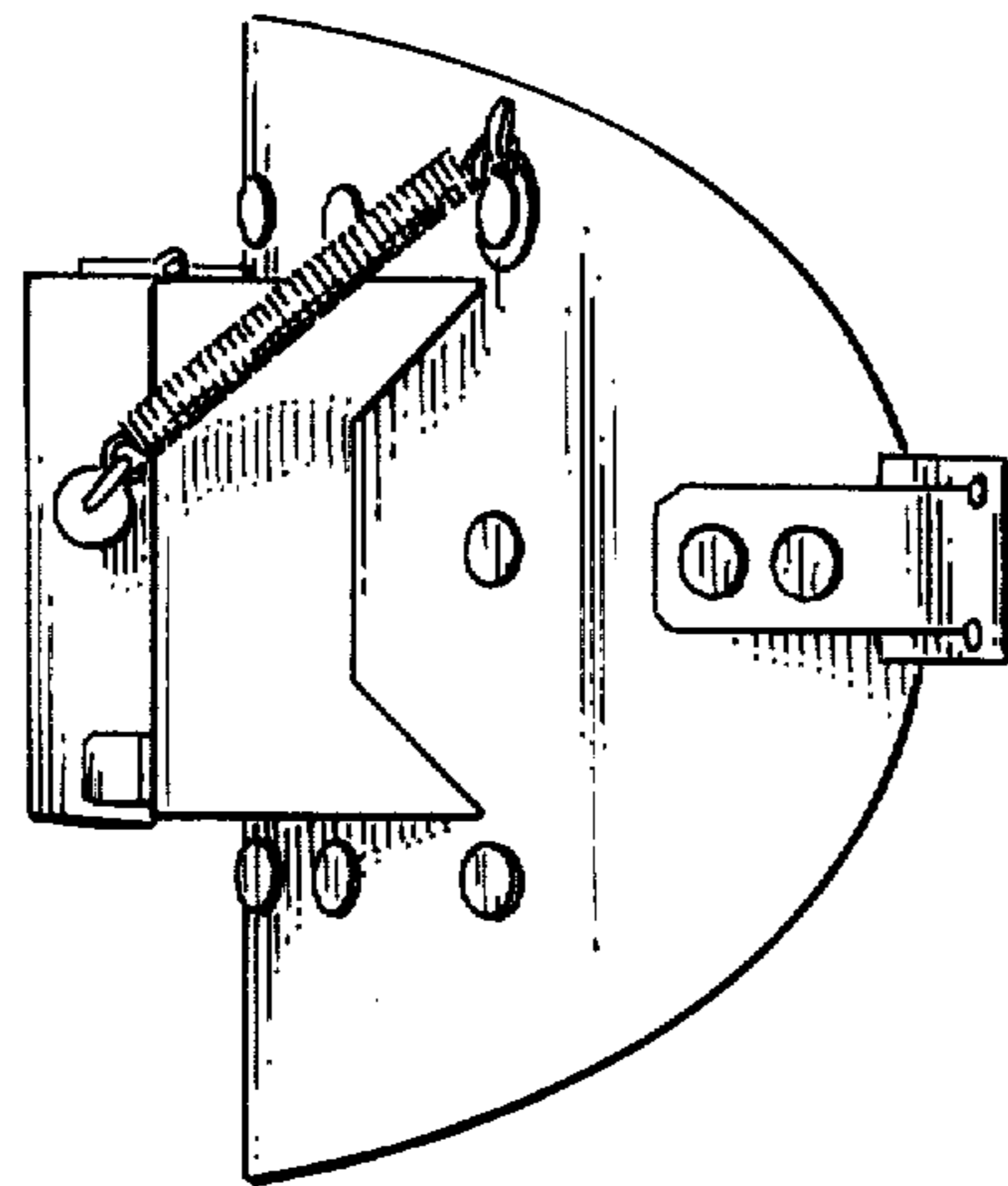


FIG. 3

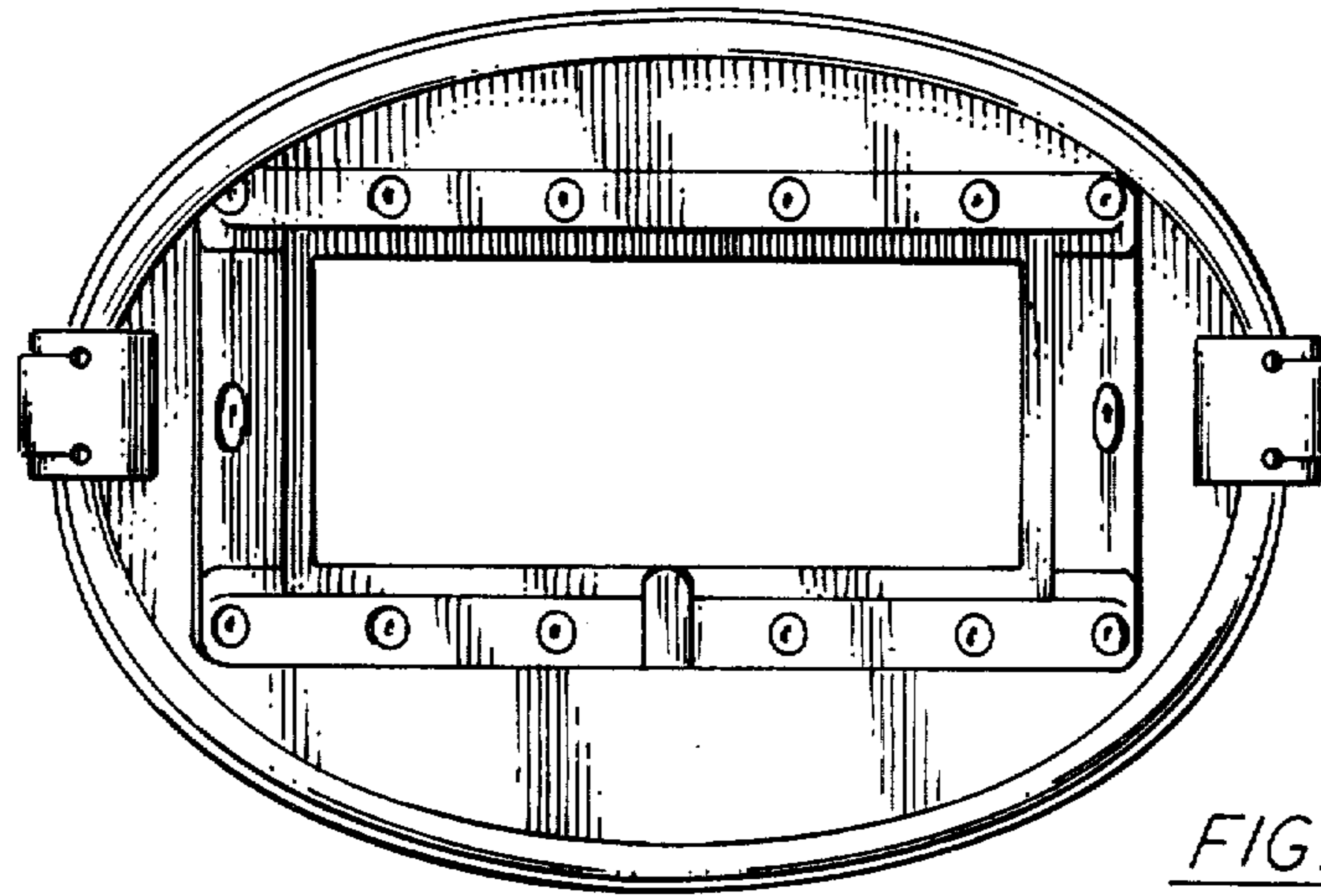


FIG. 4

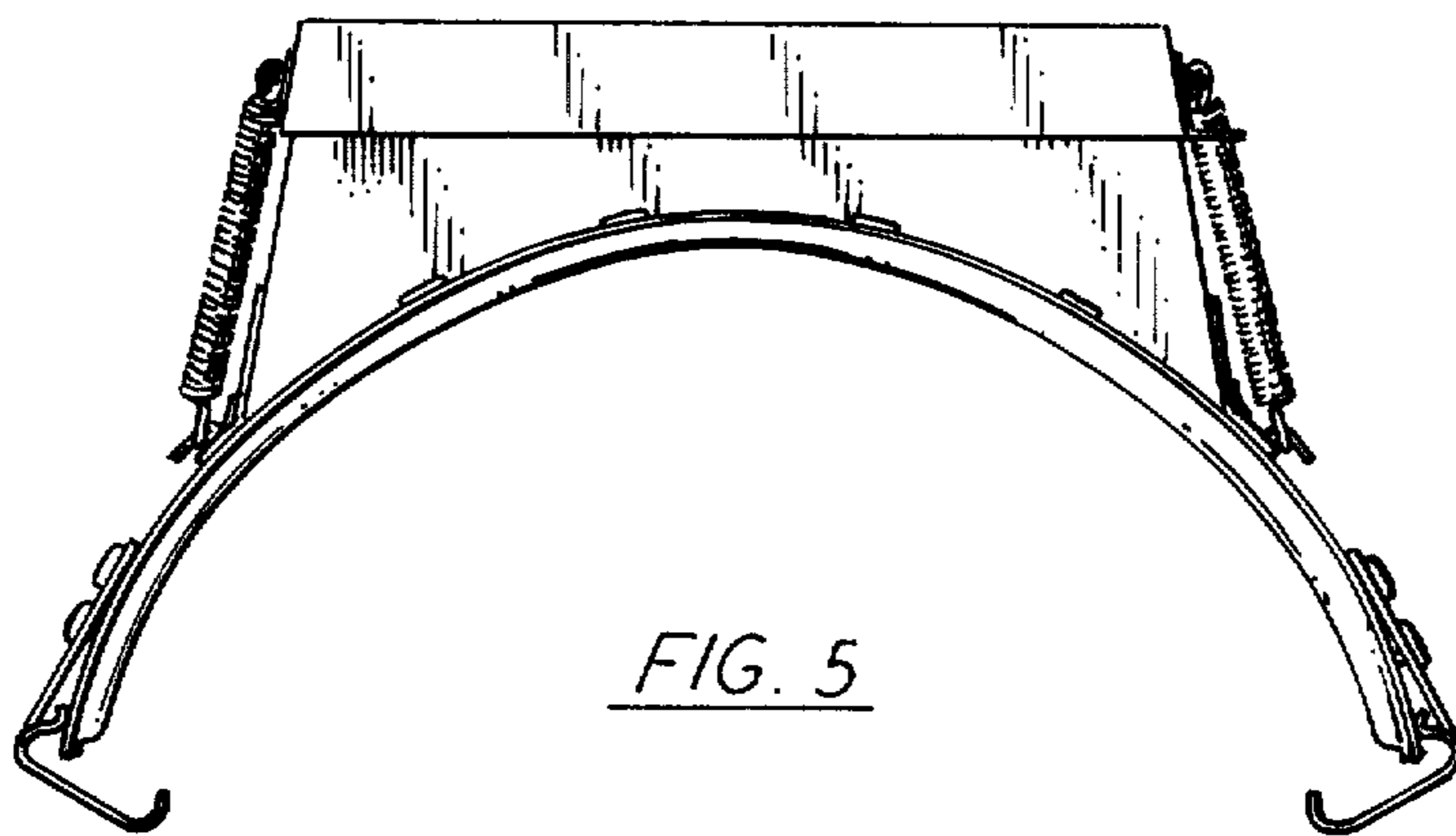


FIG. 5