

[54] PATIENT SUPPORTING HARNESS

[76] Inventor: Rutger Nandorf, S-593 00 Västervik, Sweden

[\*\*] Term: 14 Years

[21] Appl. No.: 102,572

[22] Filed: Dec. 11, 1979

[30] Foreign Application Priority Data

Jun. 11, 1979 [SE] Sweden ..... 79-1435

[51] Int. Cl. .... D2-02

[52] U.S. Cl. .... D2/27; D2/381

[58] Field of Search ..... D2/27, 380, 381; 2/DIG. 6; 128/134, DIG. 15; 224/224

[56] References Cited

U.S. PATENT DOCUMENTS

D. 238,725 2/1976 Zerobnick ..... 224/224  
2,726,714 12/1955 McAndrews ..... D2/381

OTHER PUBLICATIONS

"P.N.R.", Published 2-23-70, Everest & Jennings Wheelchair Safety Belt Appearing in American Surgical Dealer, Chicago, Ill.  
Scovill Oritz Velcro © Booklet, pp. titled "Velcro Tapes are Smart", Item #1, Adjustable Belts & Accessories, Belt.

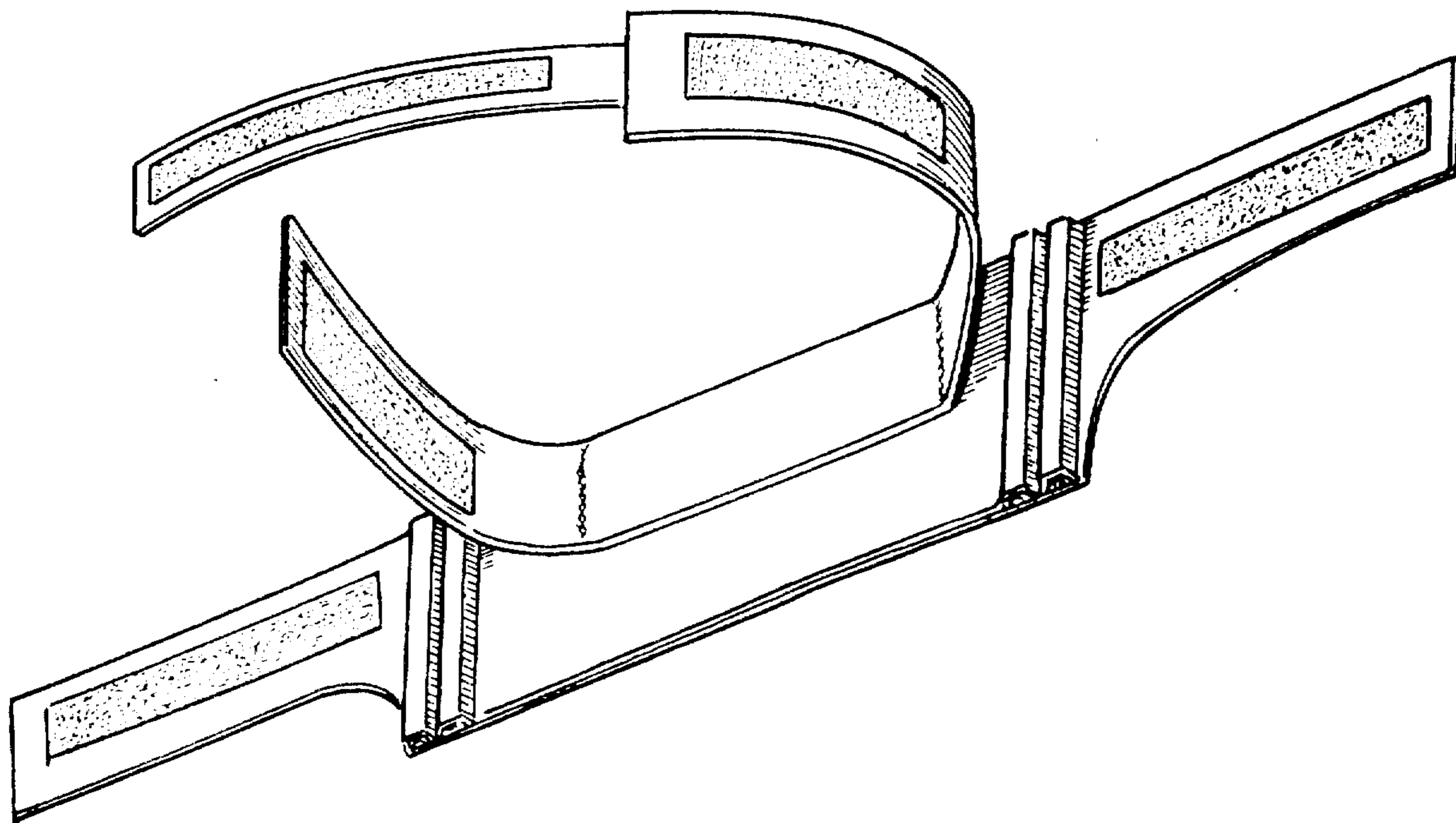
Primary Examiner—Jane E. Corrigan  
Attorney, Agent, or Firm—Witherspoon & Hargest

[57] CLAIM

The ornamental design for a patient supporting harness or similar article, as shown and described.

DESCRIPTION

FIG. 1 is a front, top and left side perspective view of a patient supporting harness or similar article showing my new design;  
FIG. 2 is a front, bottom and right side perspective view; and  
FIG. 3 is a rear, top and left side perspective view.



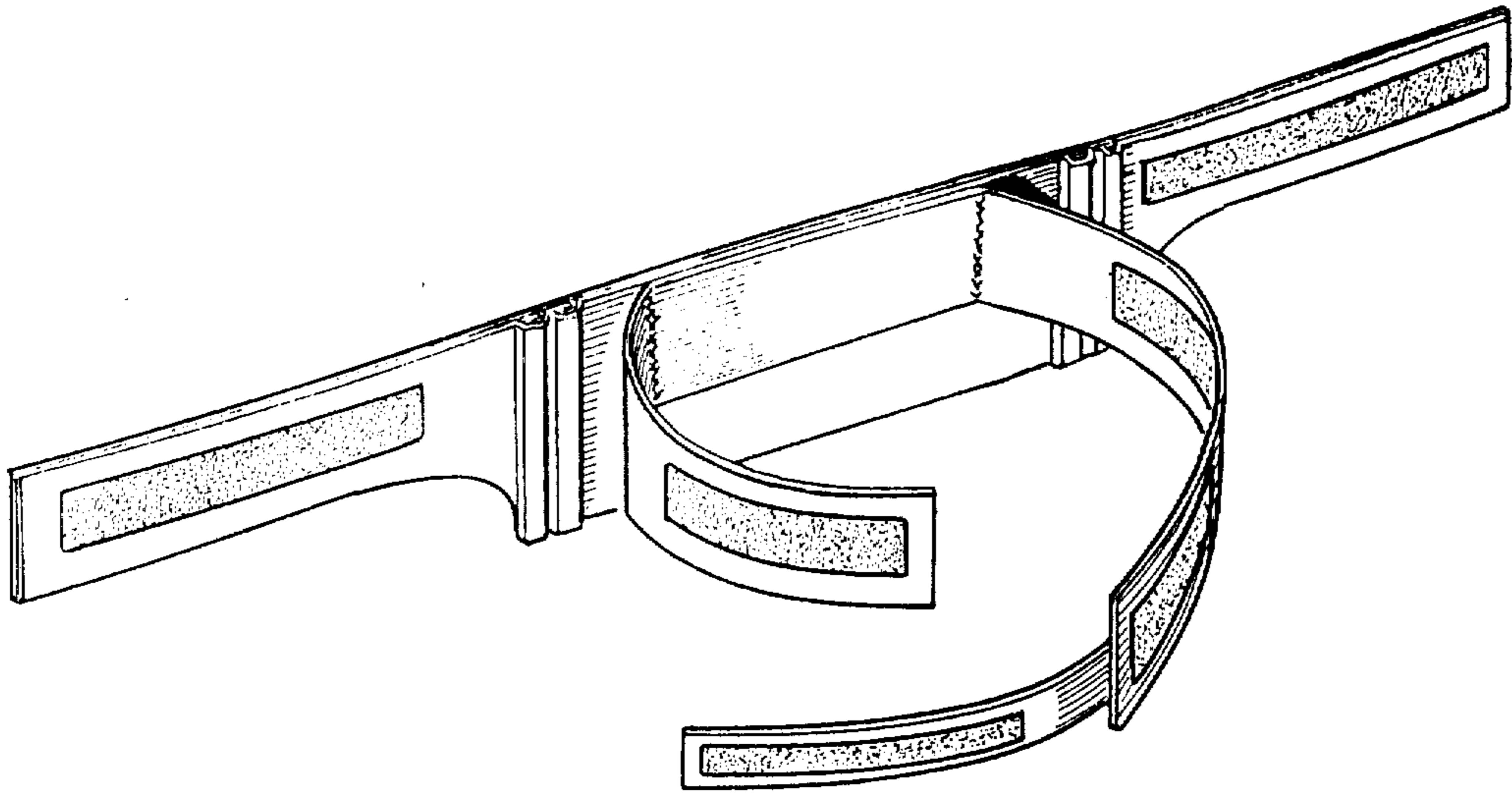


FIG. 1

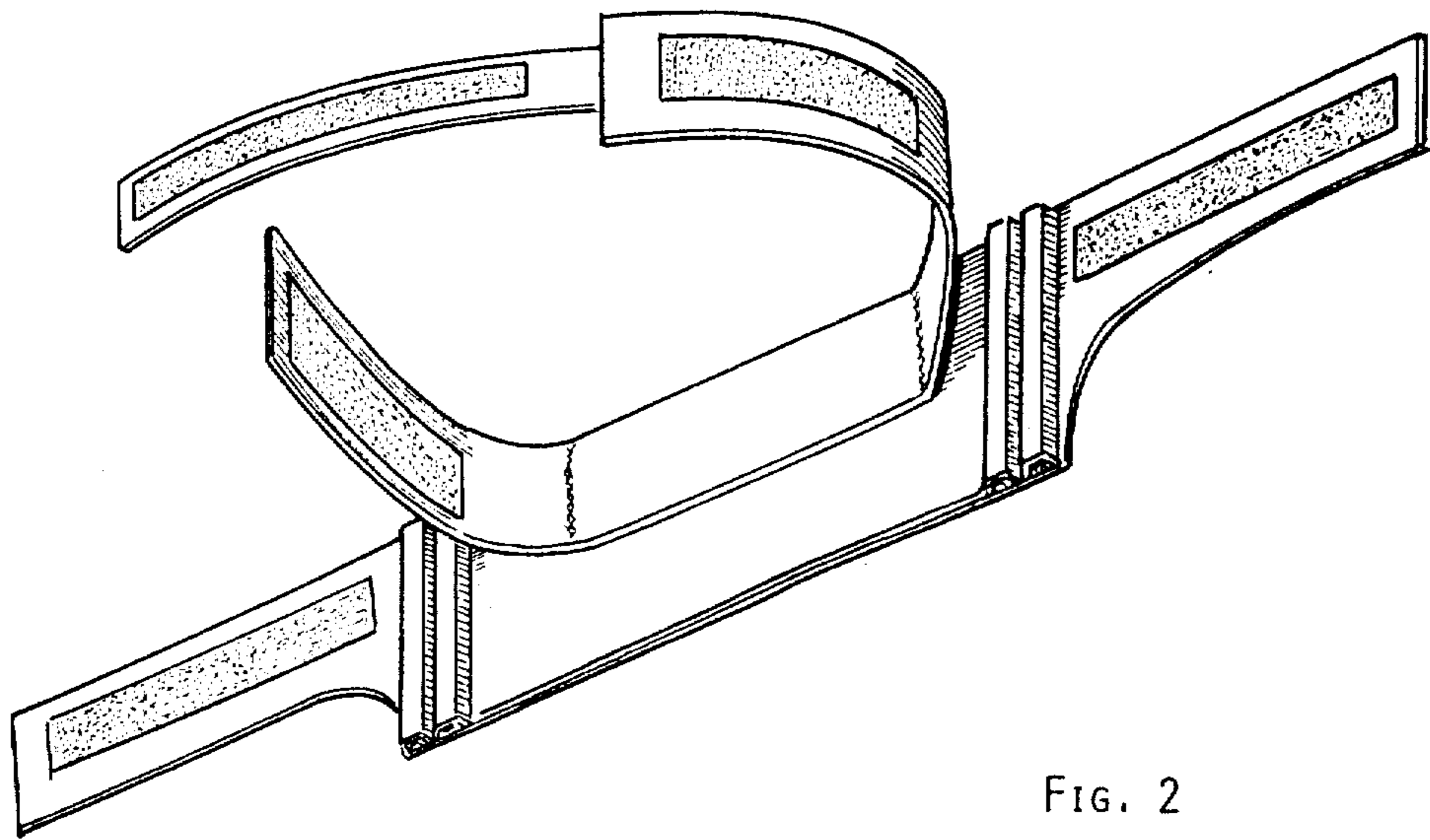


FIG. 2

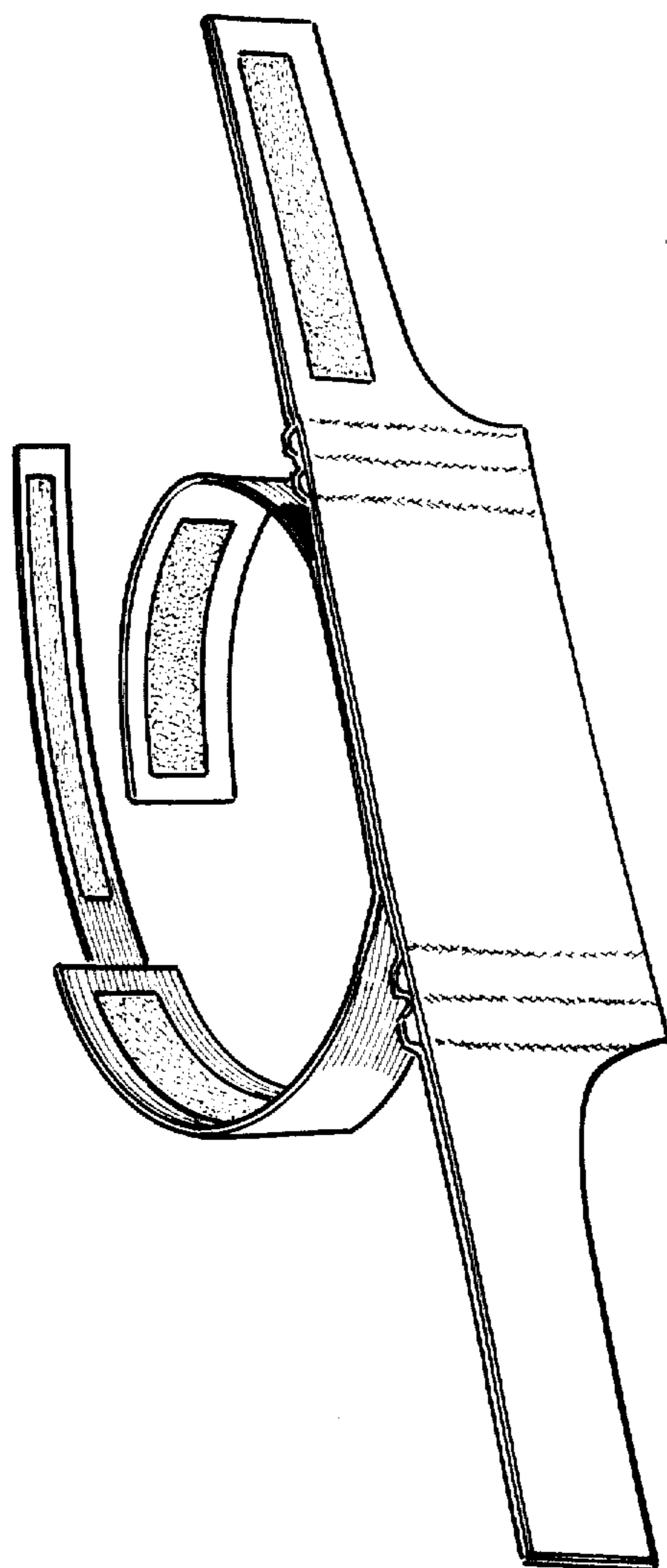


FIG. 3