

[54] FISHERMAN'S CART

[76] Inventor: **Ronald C. Watts**, 4507 Rocky River Rd., Charlotte, N.C. 28205

[\*\*] Term: **14 Years**

[21] Appl. No.: **157,965**

[22] Filed: **Jun. 9, 1980**

[51] Int. Cl. .... **D12-02**

[52] U.S. Cl. .... **D34/26**

[58] Field of Search ..... **D34/24, 26, 21; 211/60 R; 280/47.19, 47.23, 47.26, 47.17**

[56] **References Cited**

**U.S. PATENT DOCUMENTS**

D. 246,359 11/1977 Powers et al. .... D34/21  
3,780,466 12/1973 Hadnot ..... 211/60 R

*Primary Examiner*—James M. Gandy

*Attorney, Agent, or Firm*—Bell, Seltzer, Park & Gibson

[57] **CLAIM**

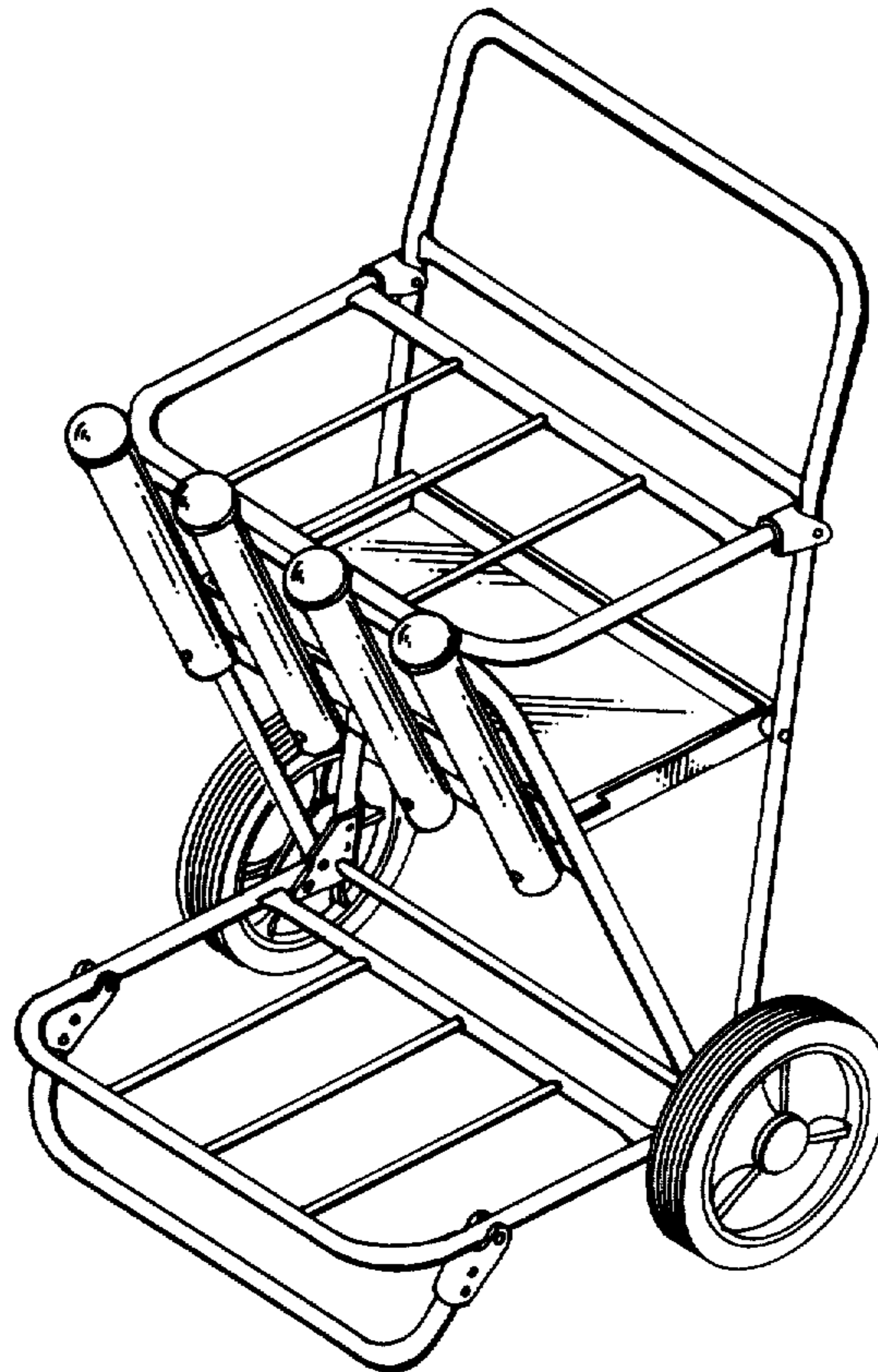
The ornamental design for a fisherman's cart, substantially as shown.

**DESCRIPTION**

FIG. 1 is a rear perspective view of a fisherman's cart showing my new design;

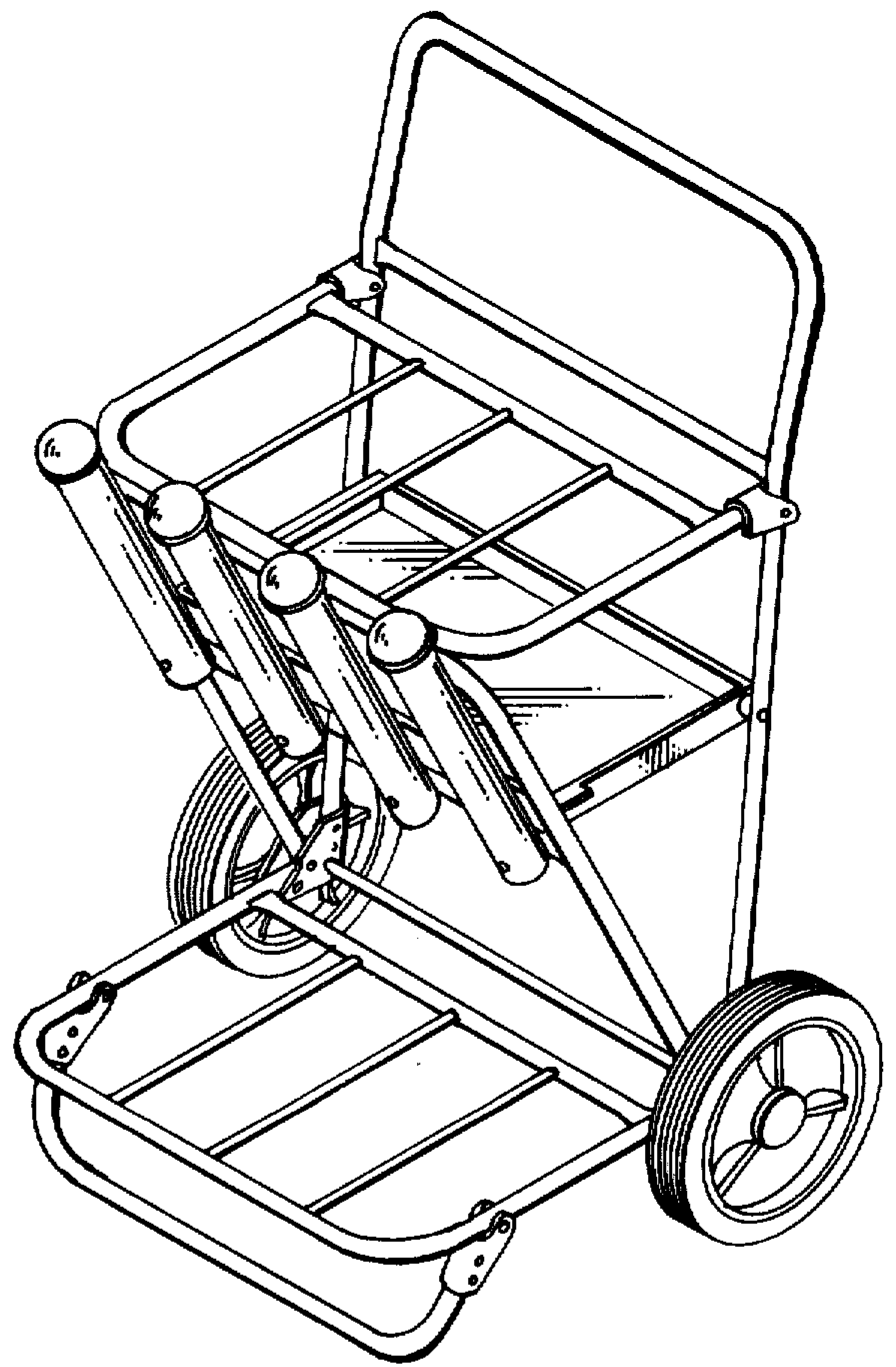
FIG. 2 is a front perspective view thereof; and

FIG. 3 is a perspective view thereof in collapsed condition.

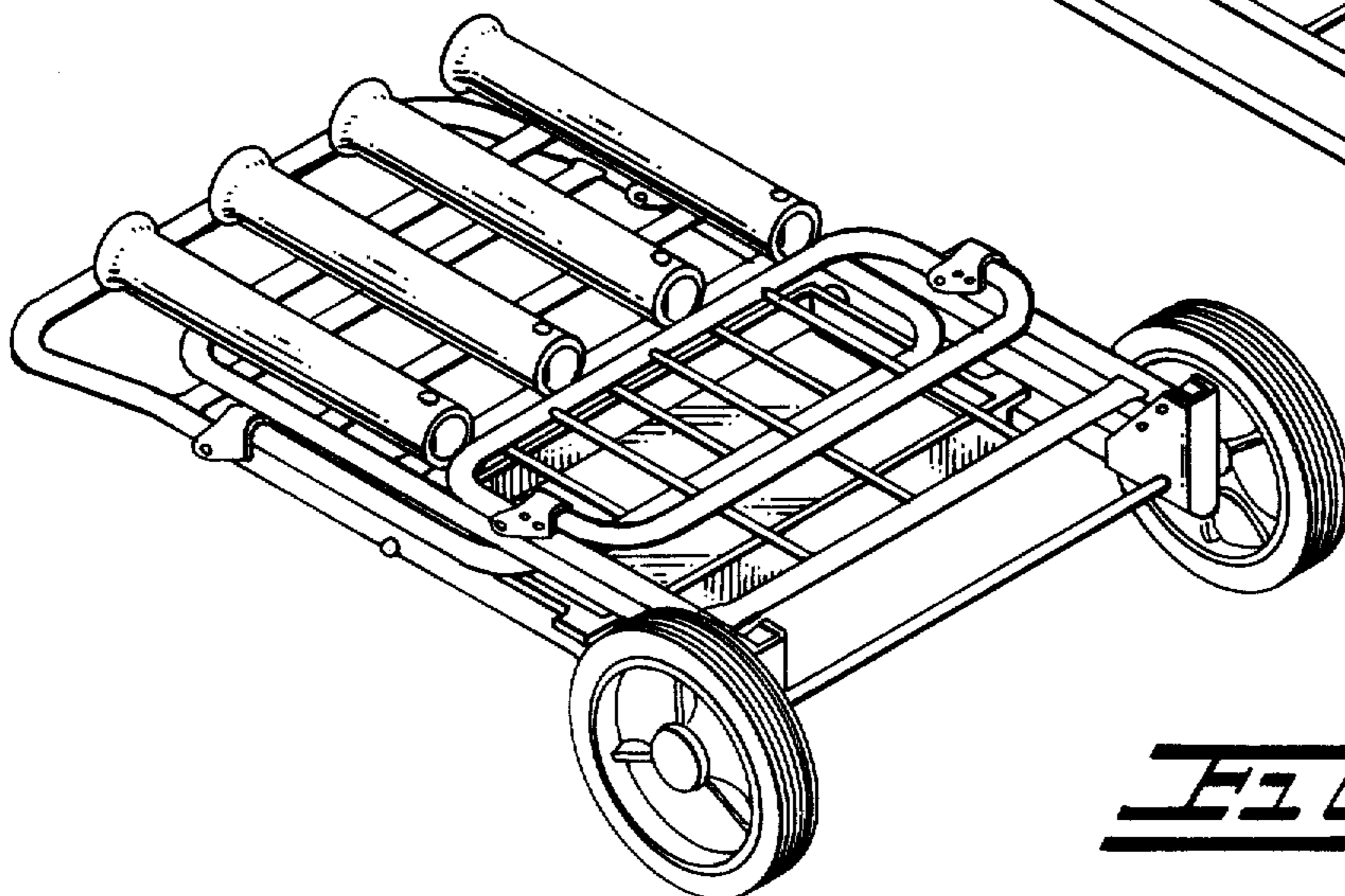




**FIG-1**



**FIG-2**



**FIG-3**