

[54] **INTERLOCKING REINFORCED BRICK**  
[76] **Inventor:** Louis Feldman, 1900 S. Palm Canyon  
Dr., Apt. 7, Palm Springs, Calif.  
92262  
[\*\*] **Term:** 14 Years  
[21] **Appl. No.:** 144,975  
[22] **Filed:** Apr. 30, 1980  
[51] **Int. Cl.** ..... D25—01  
[52] **U.S. Cl.** ..... D25/87; D25/80;  
D25/91; D25/92  
[58] **Field of Search** ..... 52/588, 582, 595, 601,  
52/605; D25/80, 87, 8 F, 91, 92, 97

[56] **References Cited**  
**U.S. PATENT DOCUMENTS**  
D. 256,166 7/1980 Iannarelli ..... D25/87  
4,148,166 4/1979 Toone ..... D25/87 X

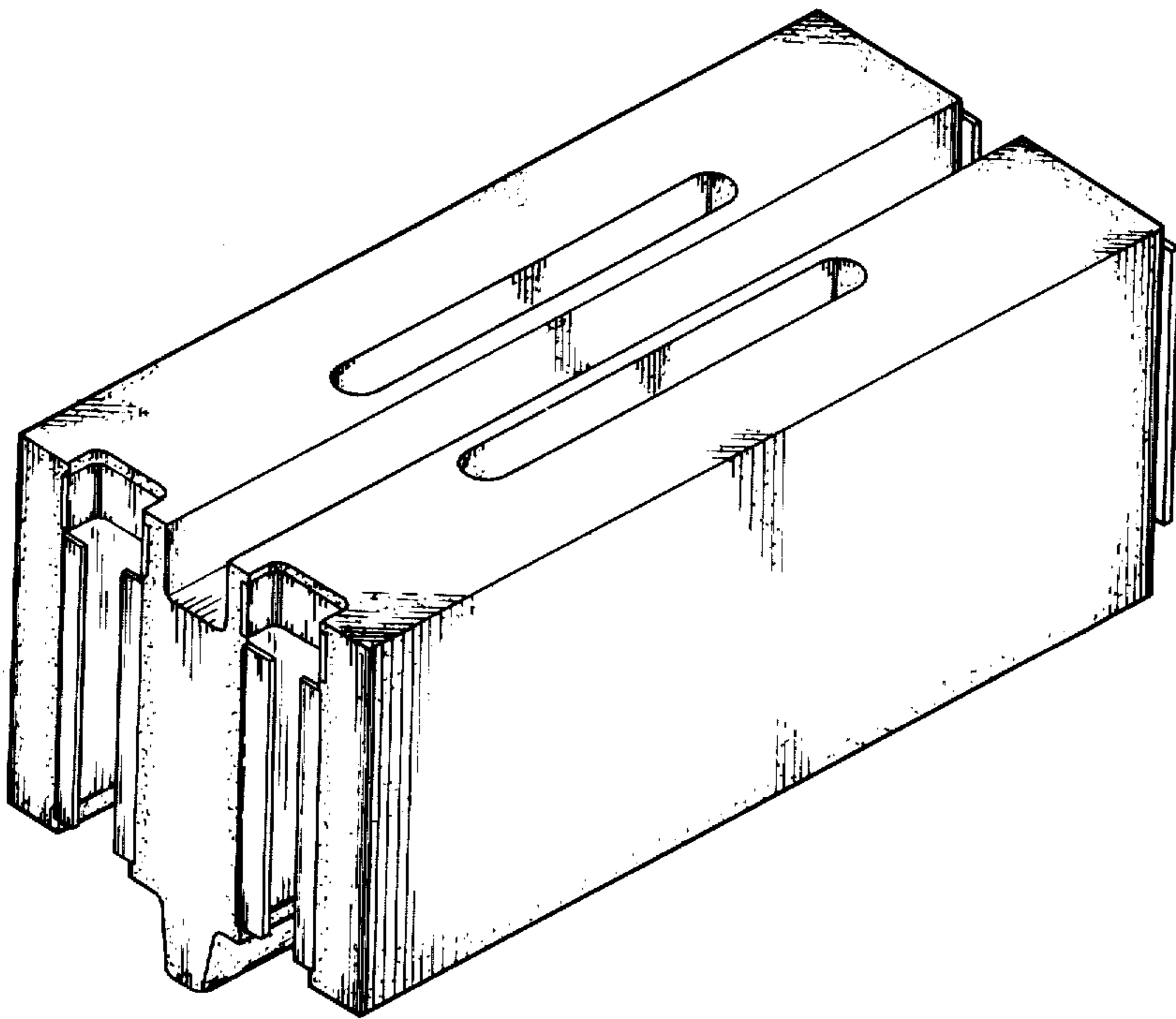
*Primary Examiner*—A. Hugo Word  
*Attorney, Agent, or Firm*—Duffield & Lehrer

[57] **CLAIM**

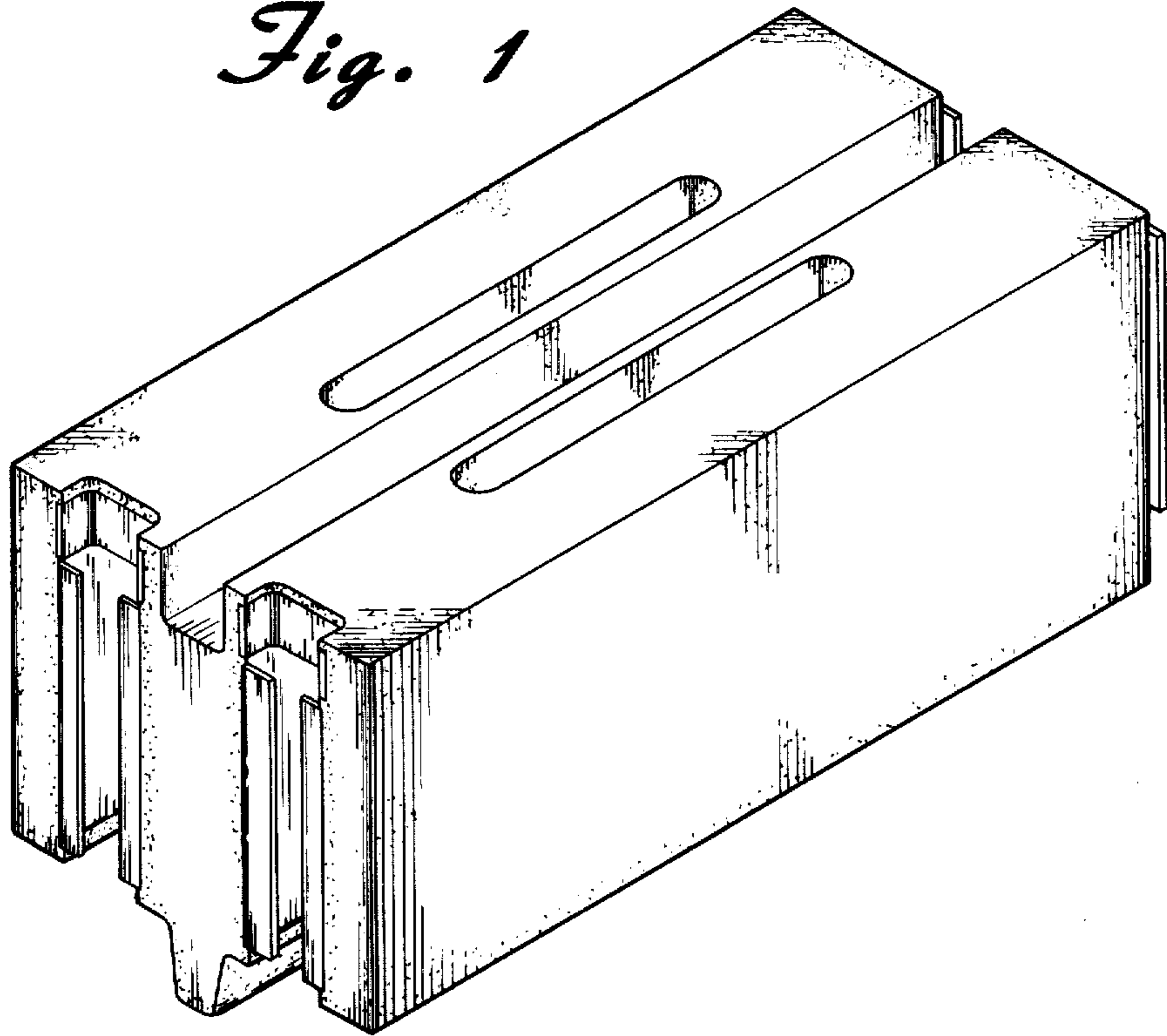
The ornamental design for an interlocking reinforced brick, substantially as shown and described.

**DESCRIPTION**

FIG. 1 is a top front perspective view of an “interlocking reinforced brick” showing my new design, and FIG. 2 is a bottom rear perspective view thereof.



*Fig. 1*



*Fig. 2*

