

[54] SMOKING PIPE WITH DUAL STEMS

[76] Inventor: Brad L. Irelan, 3746 S. Iowa St., St. Francis, Wis. 53207

[**] Term: 3½ Years

[21] Appl. No.: 161,024

[22] Filed: Jun. 19, 1980

[51] Int. Cl. D27-02

[52] U.S. Cl. D27/03

[58] Field of Search D27/2-7;
131/329, 330, 173, 174, 179, 180, 181

[56] References Cited

U.S. PATENT DOCUMENTS

D. 129,966 10/1941 Kolar D27/03
D. 243,258 2/1977 Segal D27/03

Primary Examiner—Catherine E. Kemper

[57] CLAIM

The ornamental design for a smoking pipe with dual stems, substantially as shown.

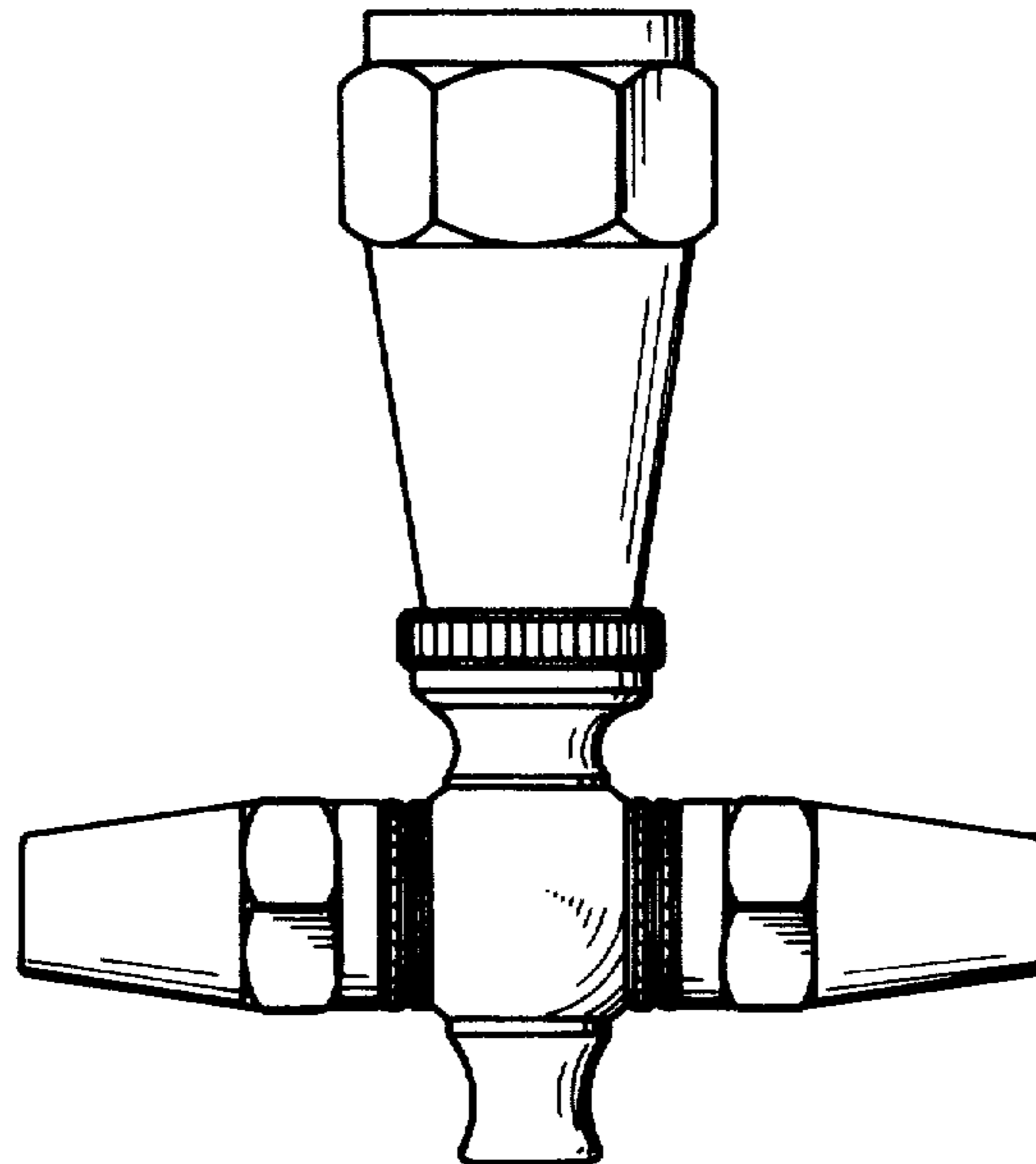
DESCRIPTION

FIG. 1 is a top plan view of a smoking pipe with dual stems showing my new design;

FIG. 2 is a side elevation view thereof;

FIG. 3 is an end view of one end thereof; and

FIG. 4 is a bottom plan view thereof.



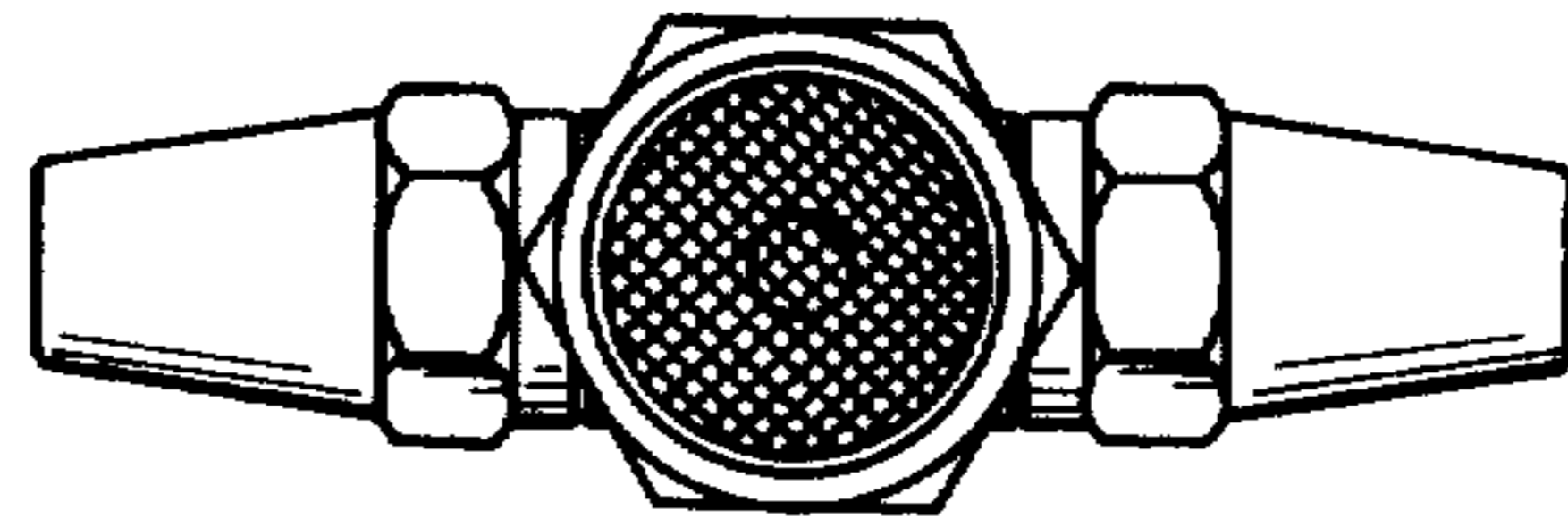


FIG. 1

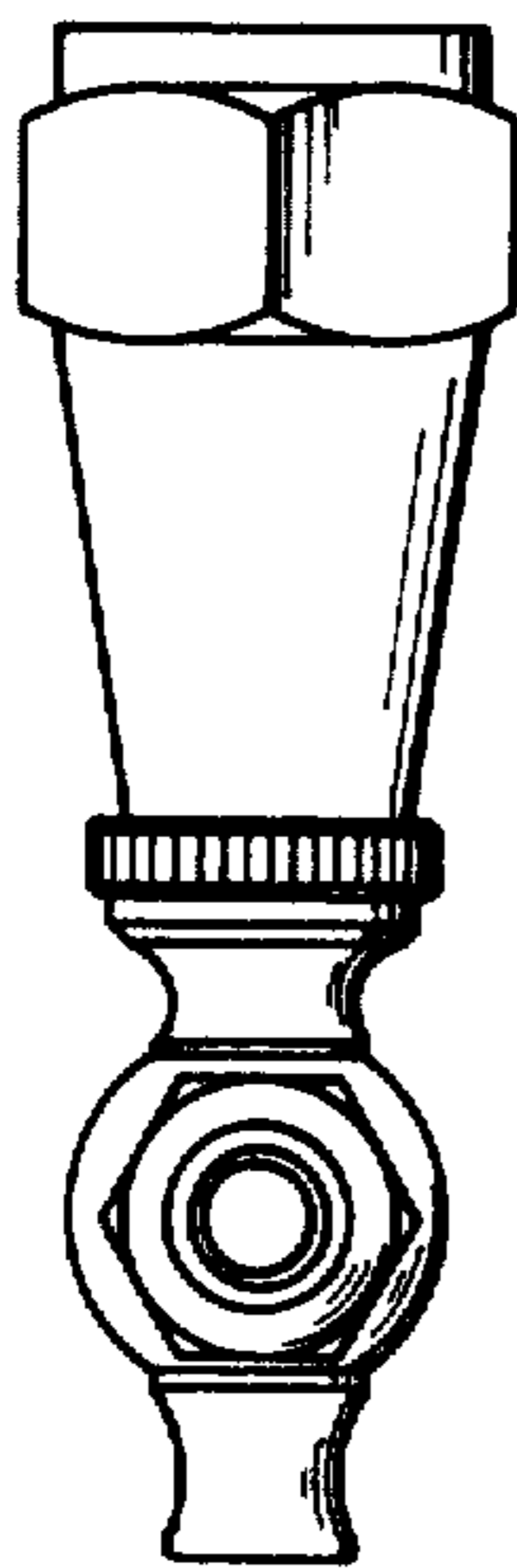


FIG. 3

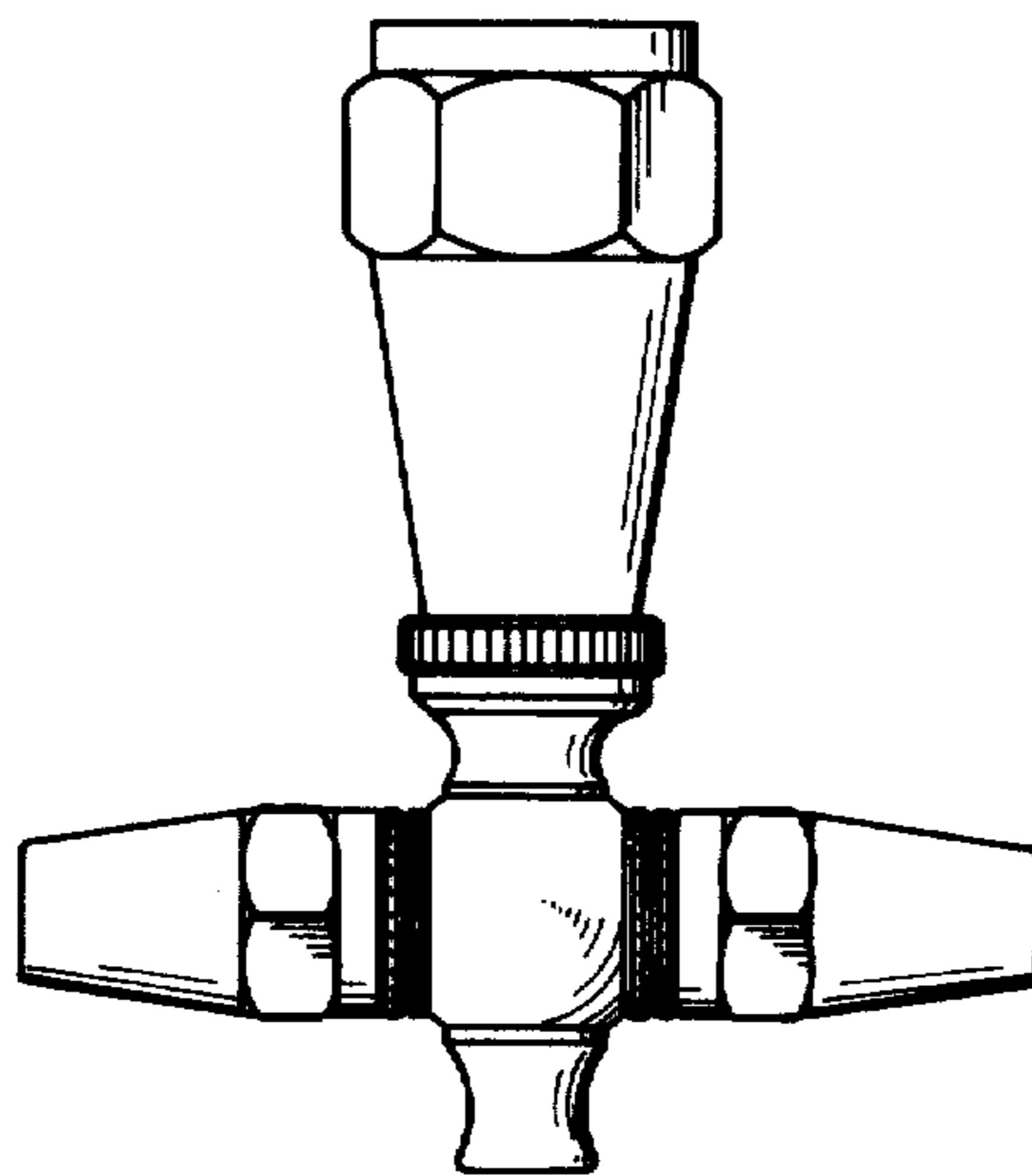


FIG. 2

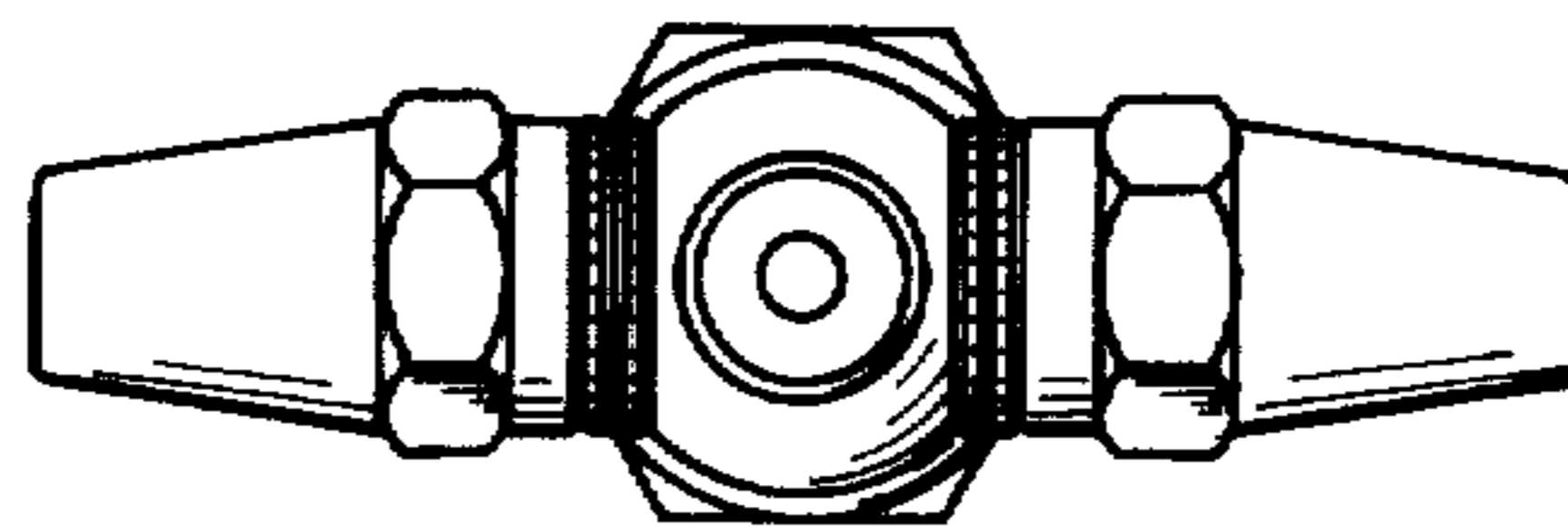


FIG. 4