

[54] SMOKING PIPE WITH DUAL STEMS

[76] Inventor: Brad L. Irelan, 3746 S. Iowa St., St. Francis, Wis. 53207

[**] Term: 3½ Years

[21] Appl. No.: 161,022

[22] Filed: Jun. 19, 1980

[51] Int. Cl. D27-02
[52] U.S. Cl. D27/03
[58] Field of Search D27/2-7;
131/329, 330, 173, 174, 179, 180, 181

[56]

References Cited

U.S. PATENT DOCUMENTS

D. 129,966 10/1941 Kolar D27/3
D. 243,258 2/1977 Segal D27/3

Primary Examiner—Catherine E. Kemper

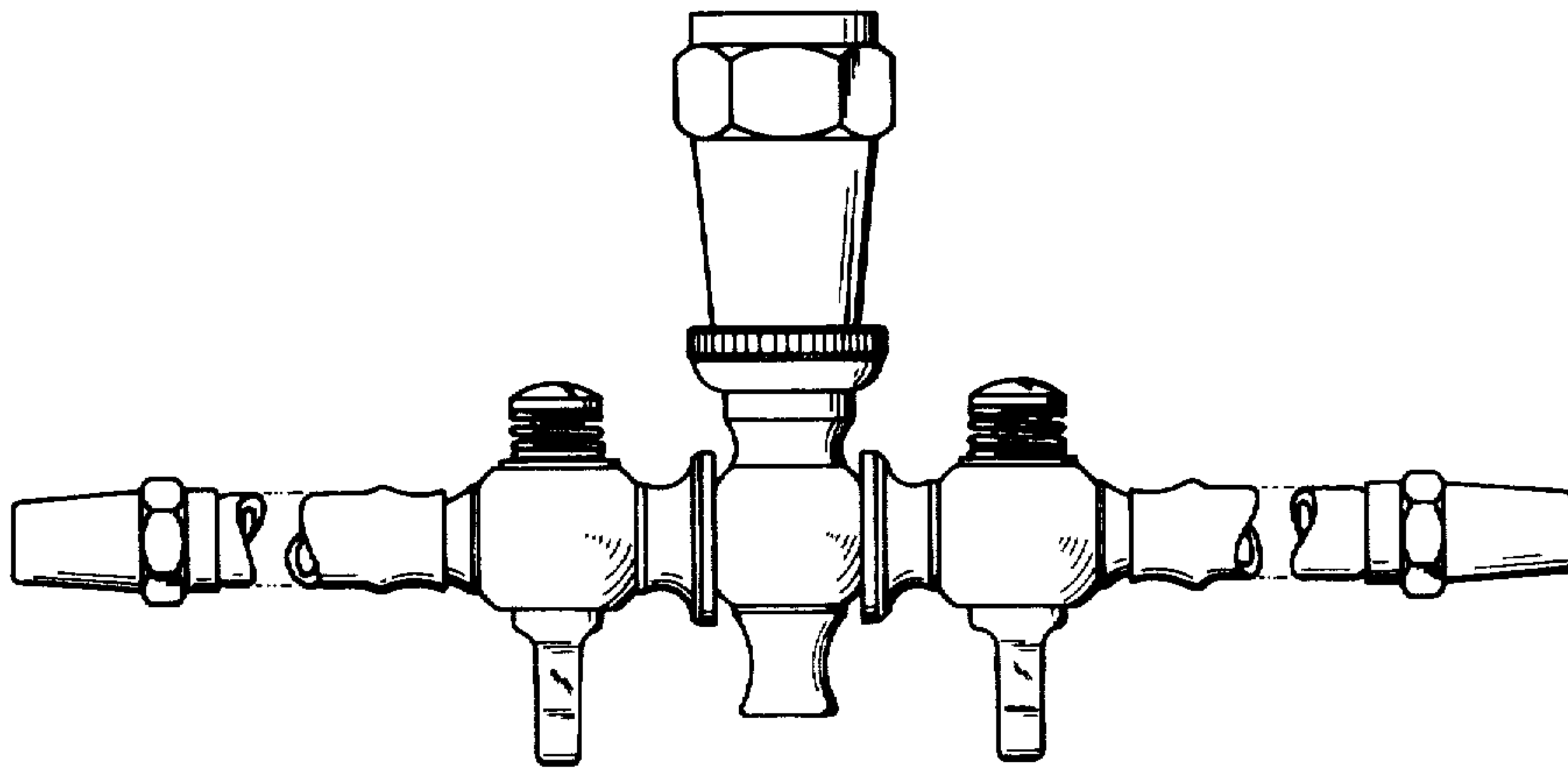
[57]

CLAIM

The ornamental design for a smoking pipe with dual stems and valves, substantially as shown and described.

DESCRIPTION

FIG. 1 is a top plan view of a smoking pipe with dual stems and valves showing my new design;
FIG. 2 is a side elevation view thereof;
FIG. 3 is an end view of one end thereof; and
FIG. 4 is a bottom plan view thereof.
The pipe stems have been shown fragmentarily in FIGS. 1, 2 and 4 to indicate indeterminate length.



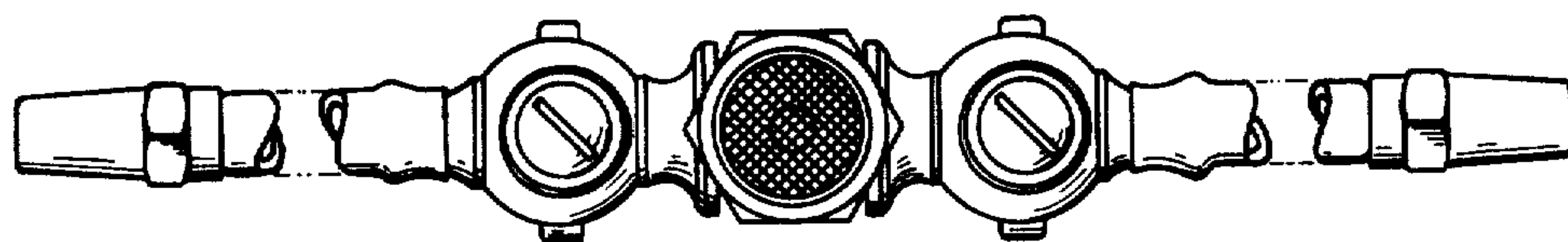


FIG. 1

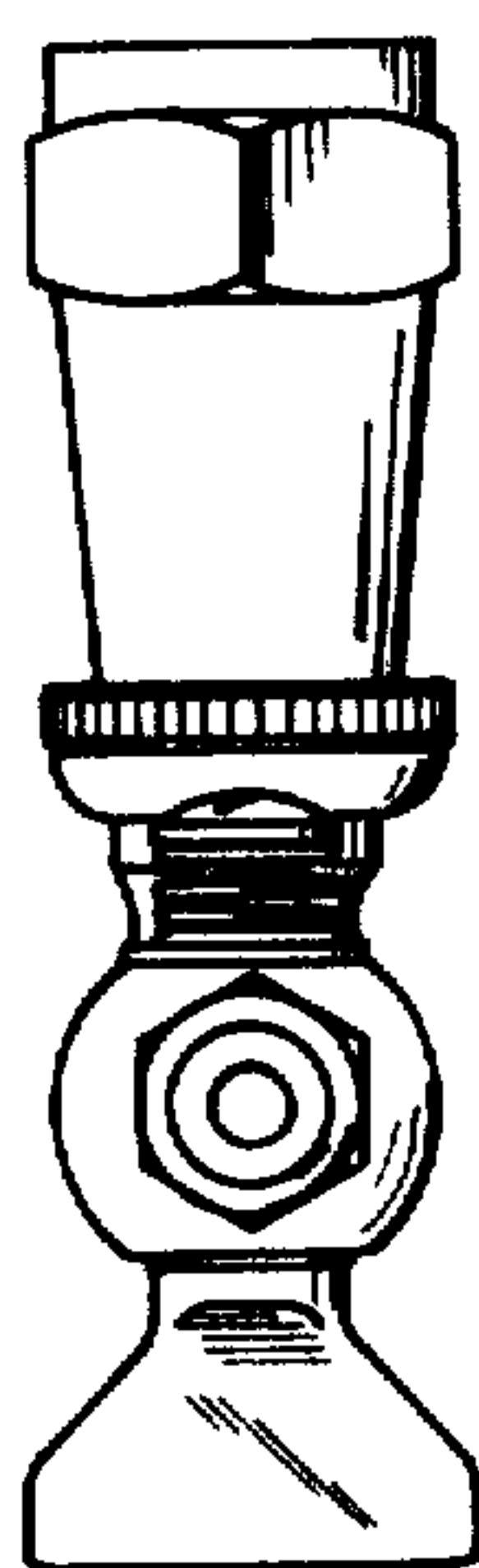


FIG. 3

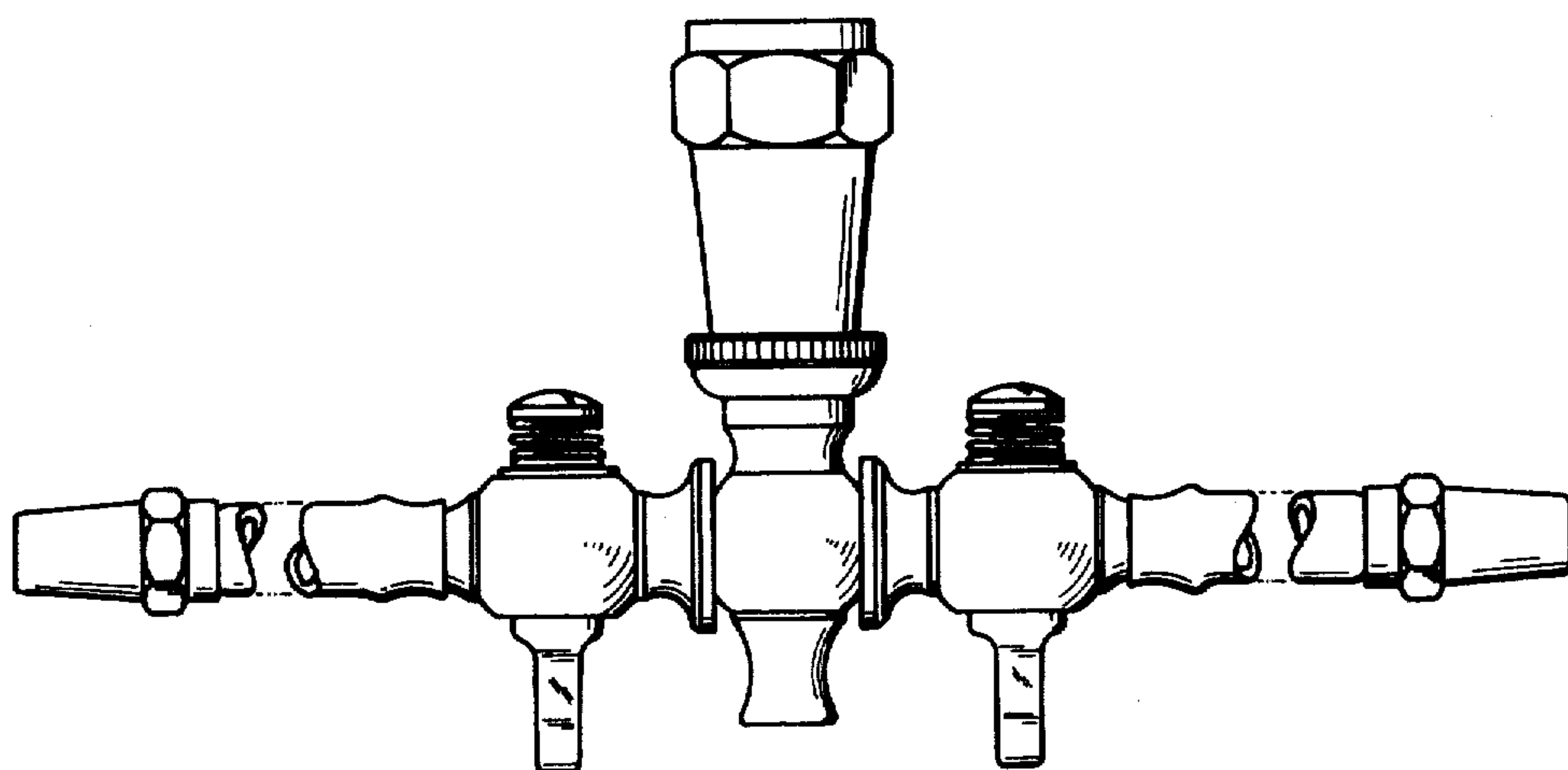


FIG. 2

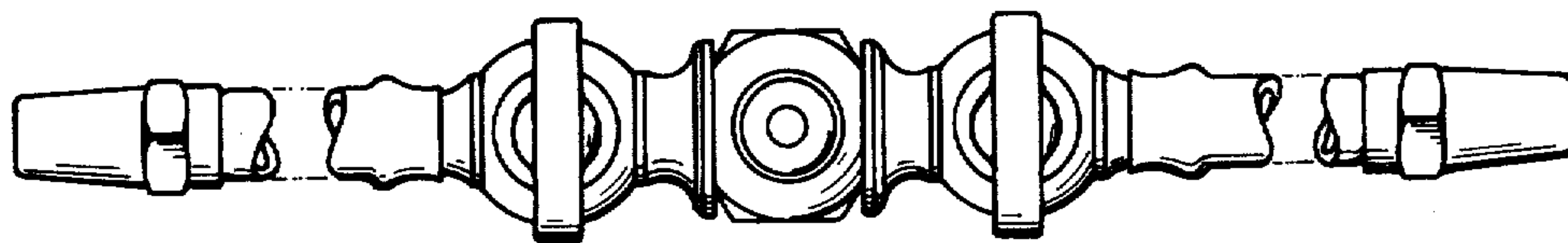


FIG. 4