

[54] **TEETHER**

[75] **Inventor:** Richard L. Panicci, Hanover, Mass.

[73] **Assignee:** Kiddie Products Inc., Avon, Mass.

[**] **Term:** 14 Years

[21] **Appl. No.:** 40,565

[22] **Filed:** May 21, 1979

[51] **Int. Cl.** D24—04

[52] **U.S. Cl.** D24/46; D21/65;
D24/45

[58] **Field of Search** D21/65; D24/46, 45;
128/360, 359, 252; 211/11 R, 11 A, 11 B, 11 D,
11 E

[56]

References Cited

U.S. PATENT DOCUMENTS

D. 221,267	7/1971	Herbst	D24/46
D. 242,293	11/1976	Panicci	D21/65 X
D. 255,268	6/1980	Bernstein	D24/46
D. 256,259	8/1980	Kanagawa	D21/65
2,826,201	3/1958	Yoder	128/358
4,193,407	3/1980	Baer	128/252

Primary Examiner—Bernard Ansher

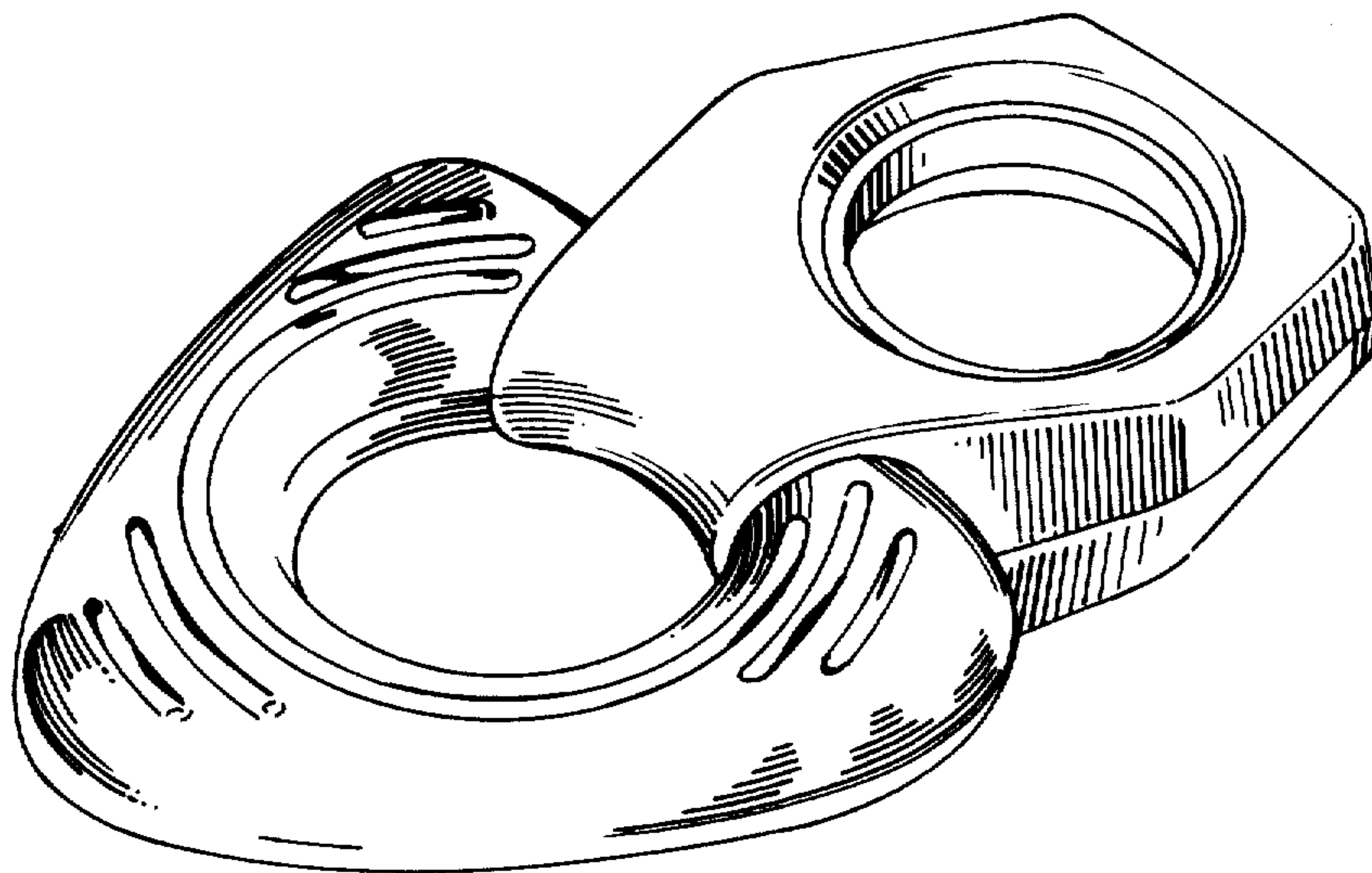
[57]

CLAIM

The ornamental design for a teether, as shown.

DESCRIPTION

FIG. 1 is an isometric view of the teether;
FIG. 2 is an elevation view of the teether viewed along the line 5—5 of FIG. 6;
FIG. 3 is a plan view of the teether;
FIG. 4 is a side elevation of the teether of FIG. 4; and
FIG. 5 is an elevational view of the teether viewed along the line 8—8 of FIG. 6.



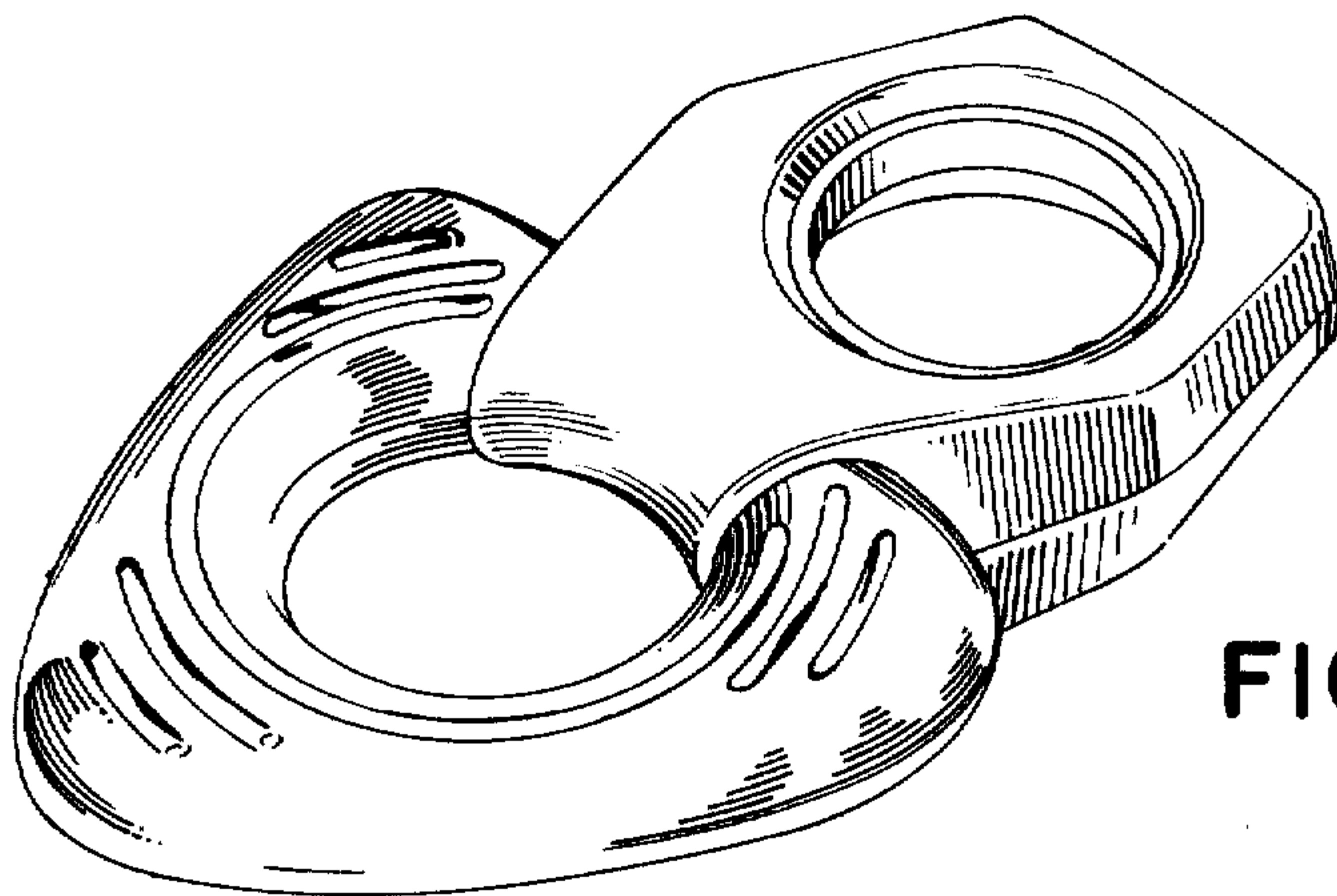


FIG. 1

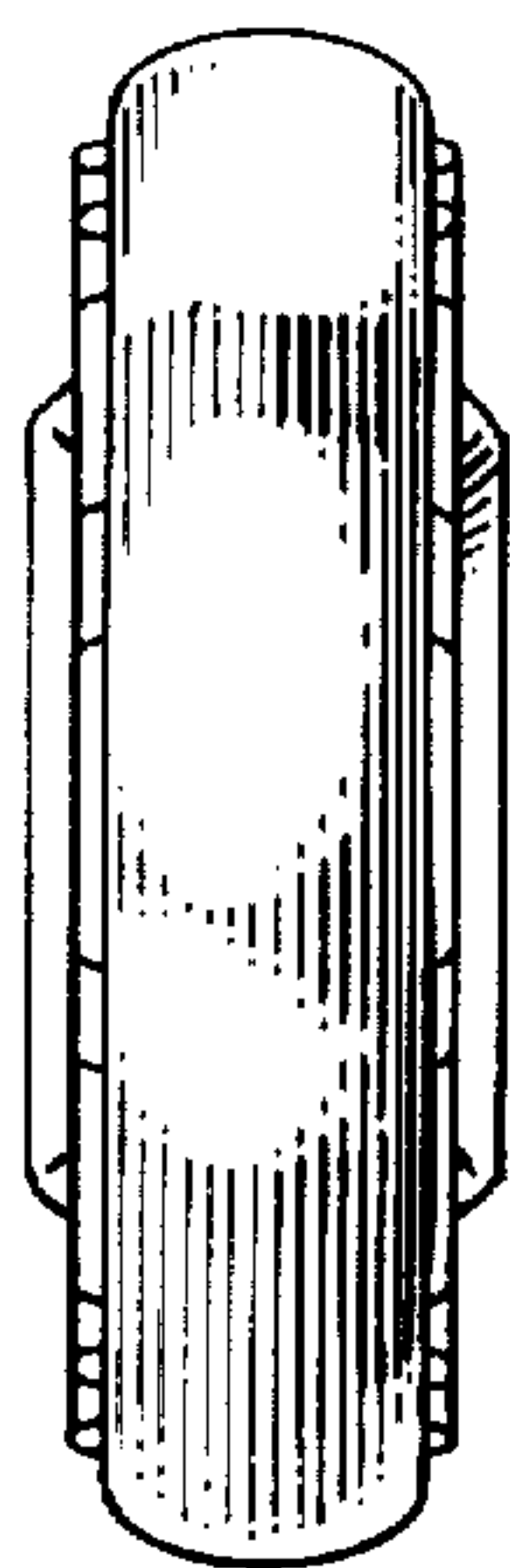


FIG. 2

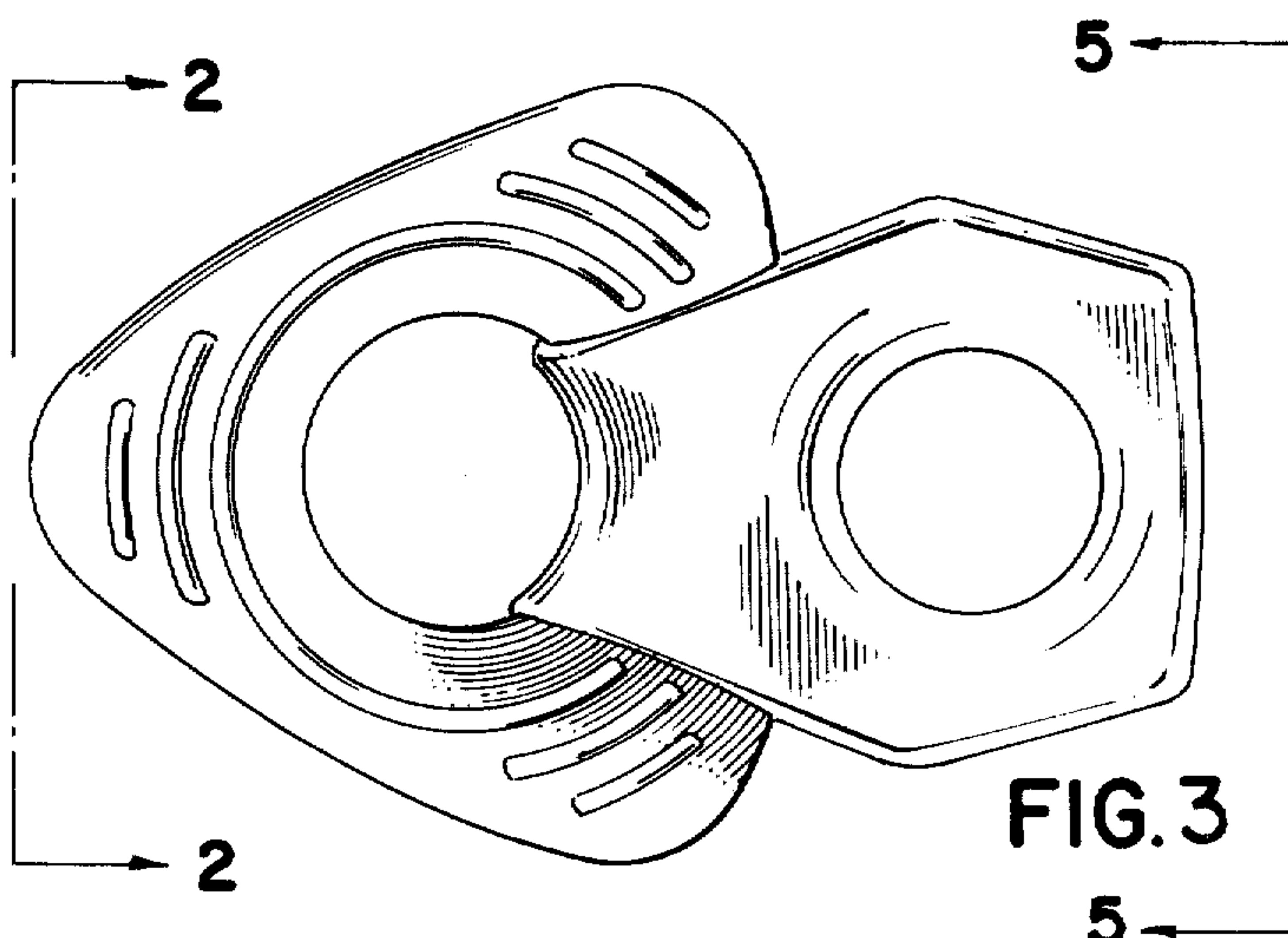


FIG. 3

FIG. 4

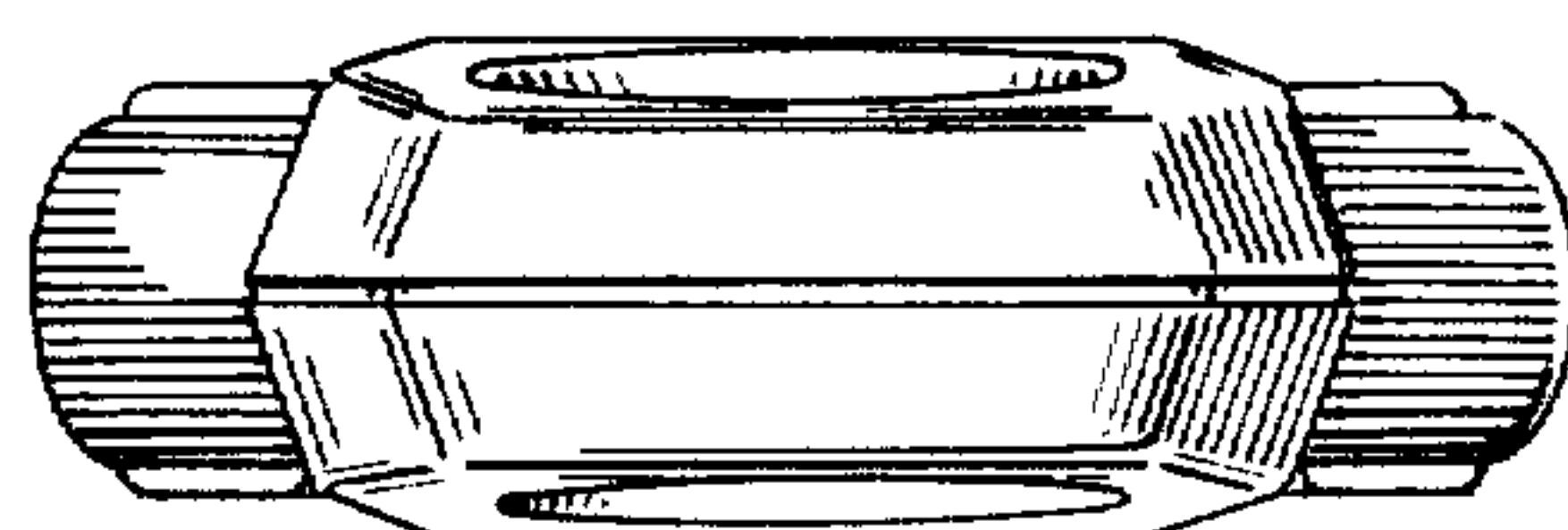
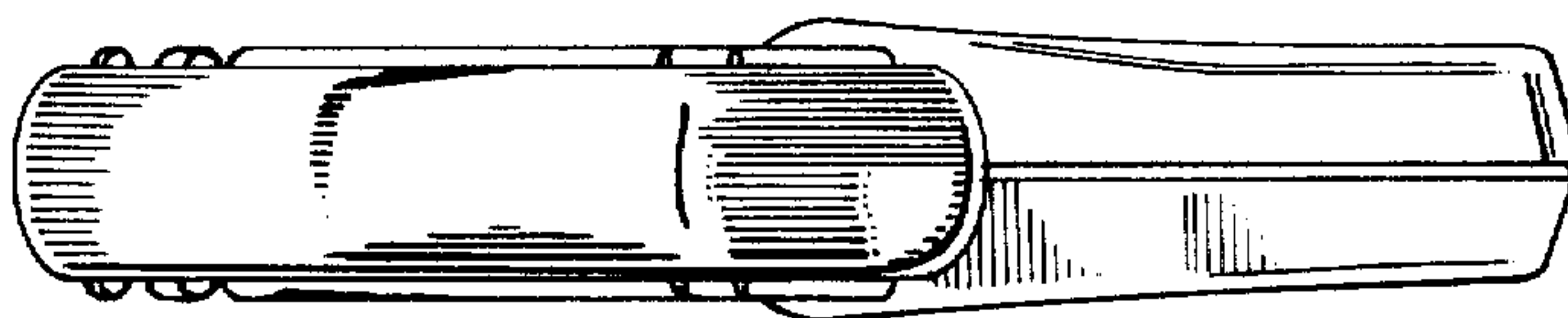


FIG. 5