

[54] **DEVICE FOR MEASURING AND INDICATING CHANGES IN RESISTANCE OF A LIVING BODY**

[75] Inventor: **Daniel G. Swanson**, Clearwater, Fla.

[73] Assignee: **Lafayette R. Hubbard**, East Grinstead, England

[**] Term: **14 Years**

[21] Appl. No.: **18,845**

[22] Filed: **Mar. 8, 1979**

[51] Int. Cl. **D24-02**

[52] U.S. Cl. **D24/17; D24/8; D10/75**

[58] **Field of Search** 324/154 R, 154 PB, 62 R; 336/208; D10/75, 78, 46; D24/17, 8; 128/734, 738, 723, 138 A, 693

[56] **References Cited**

U.S. PATENT DOCUMENTS

D. 238,905 2/1976 Sokol D24/17

D. 243,038 1/1977 Ray D24/17

D. 247,363 2/1978 Hughes D19/60

D. 249,063 8/1978 James D24/17

D. 249,891 10/1978 Rowland et al. D24/17

D. 251,368 3/1979 Katzman et al. D10/75 X

3,290,589 12/1966 Hubbard 324/62 R

4,024,472 5/1977 Nador et al. 324/154 R

4,112,923 9/1978 Tomecek 128/734 X

4,140,109 2/1979 Savic et al. 128/734

Primary Examiner—Bernard Ansher
Attorney, Agent, or Firm—Koda and Androlia

[57] **CLAIM**

The ornamental design for a device for measuring and indicating changes in resistance of a living body, substantially as shown and described.

DESCRIPTION

FIG. 1 is a front elevation of a device for measuring and indicating changes in resistance of a living body, showing my new design;

FIG. 2 is a bottom plan view thereof;

FIG. 3 is a side elevation view thereof;

FIG. 4 is a top plan view thereof;

FIG. 5 is a side elevation as seen from the side opposite FIG. 3; and

FIG. 6 is a rear elevation thereof.

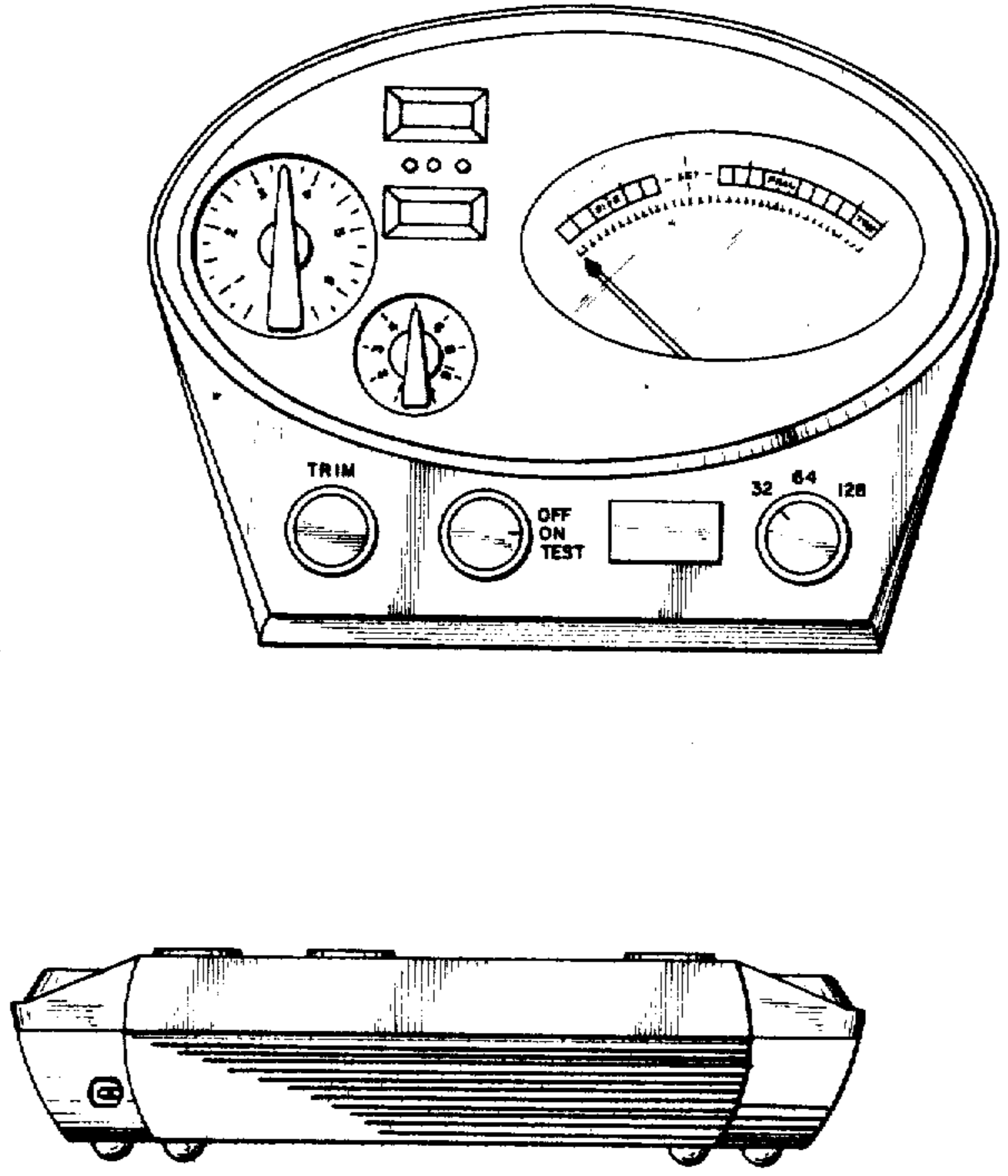


FIG. 1

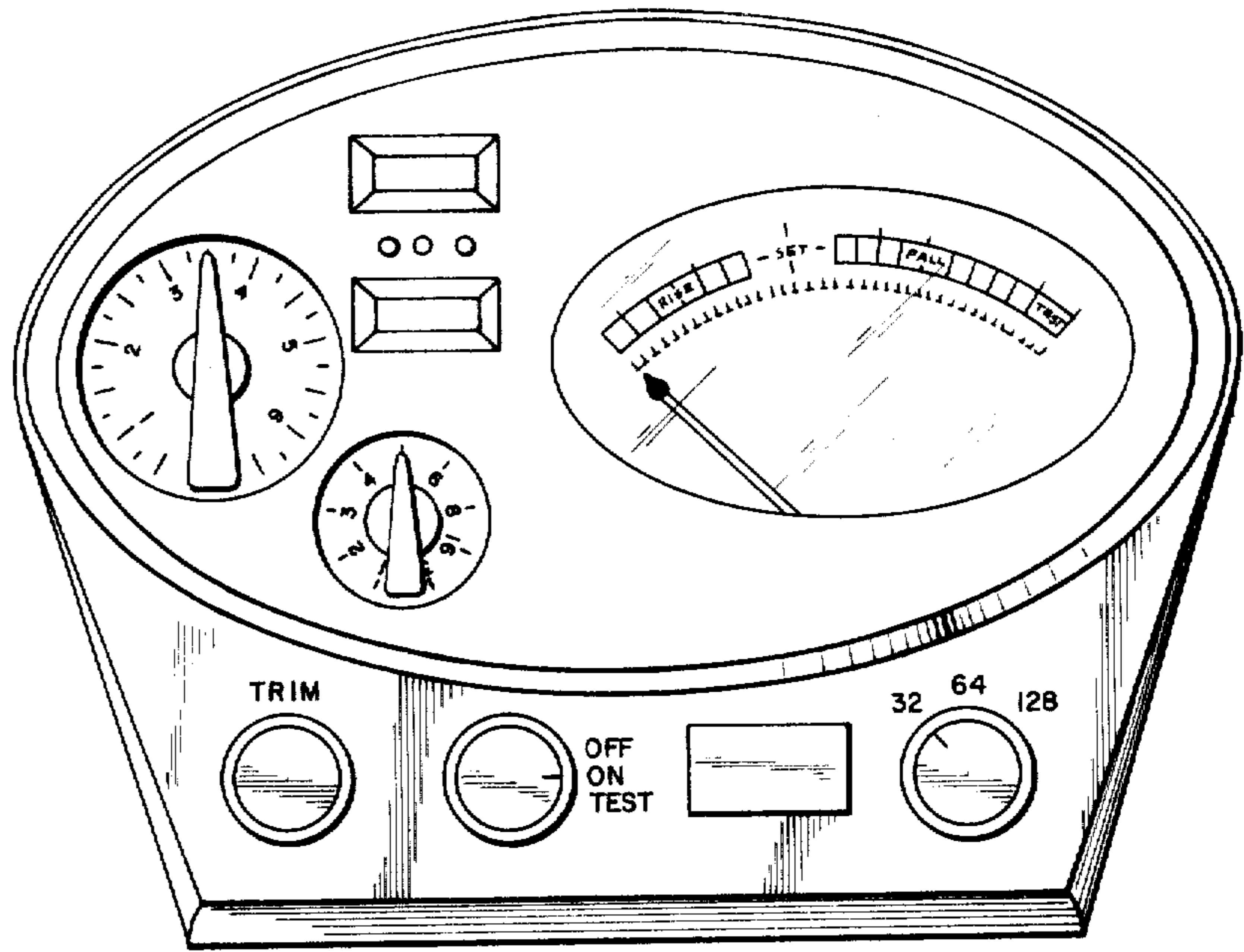


FIG. 2

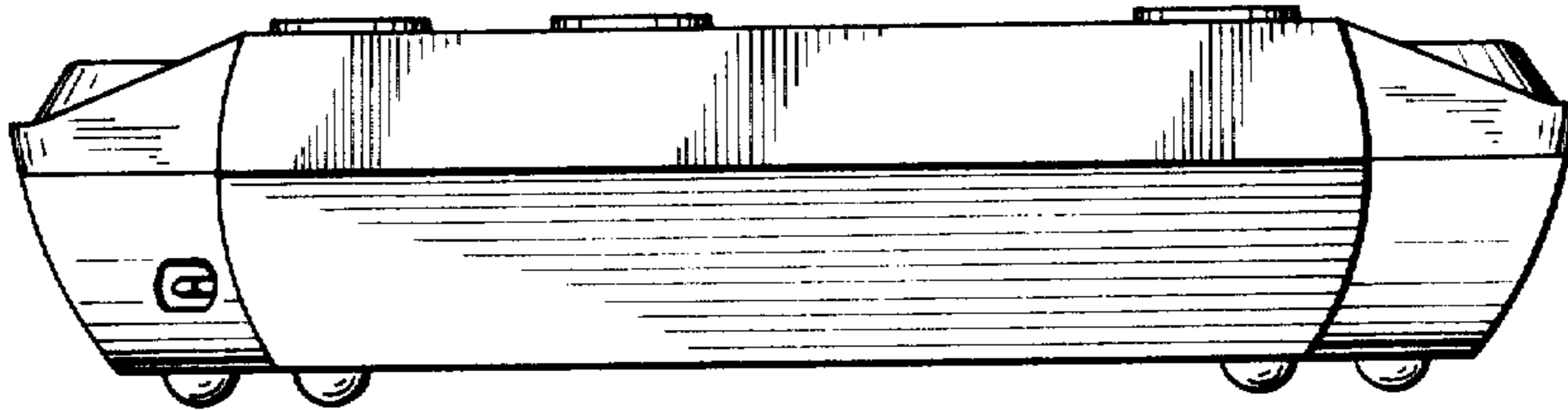


FIG. 3

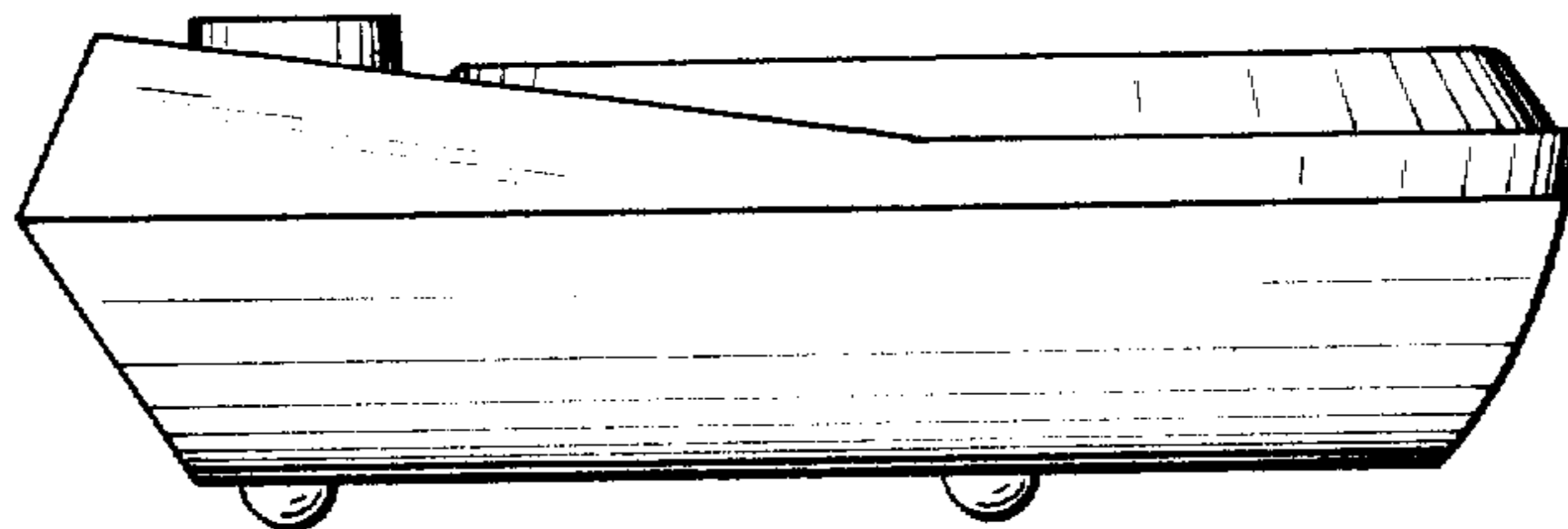


Fig. 4

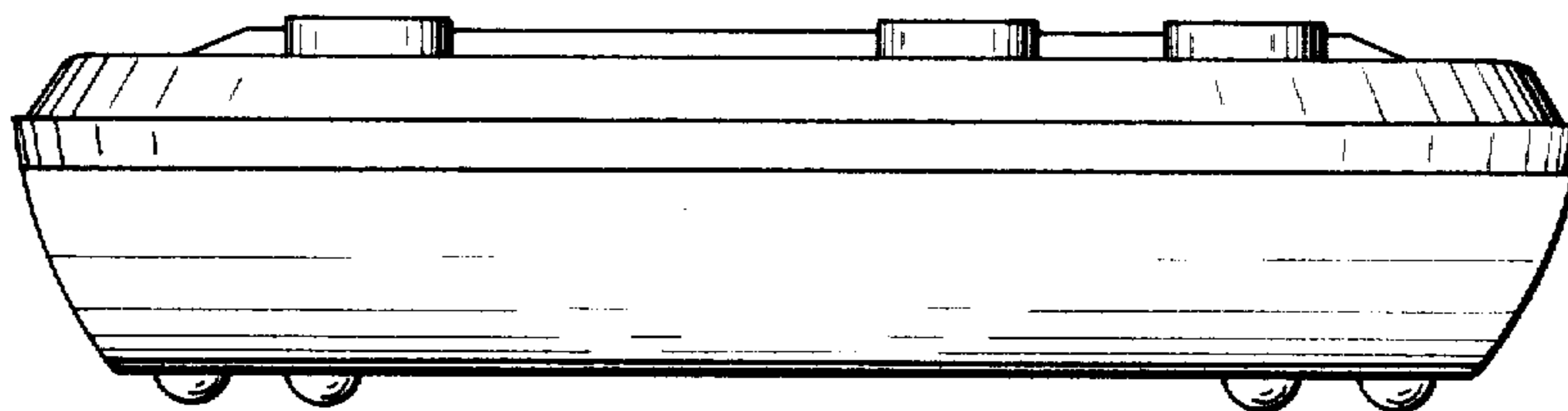


Fig. 5

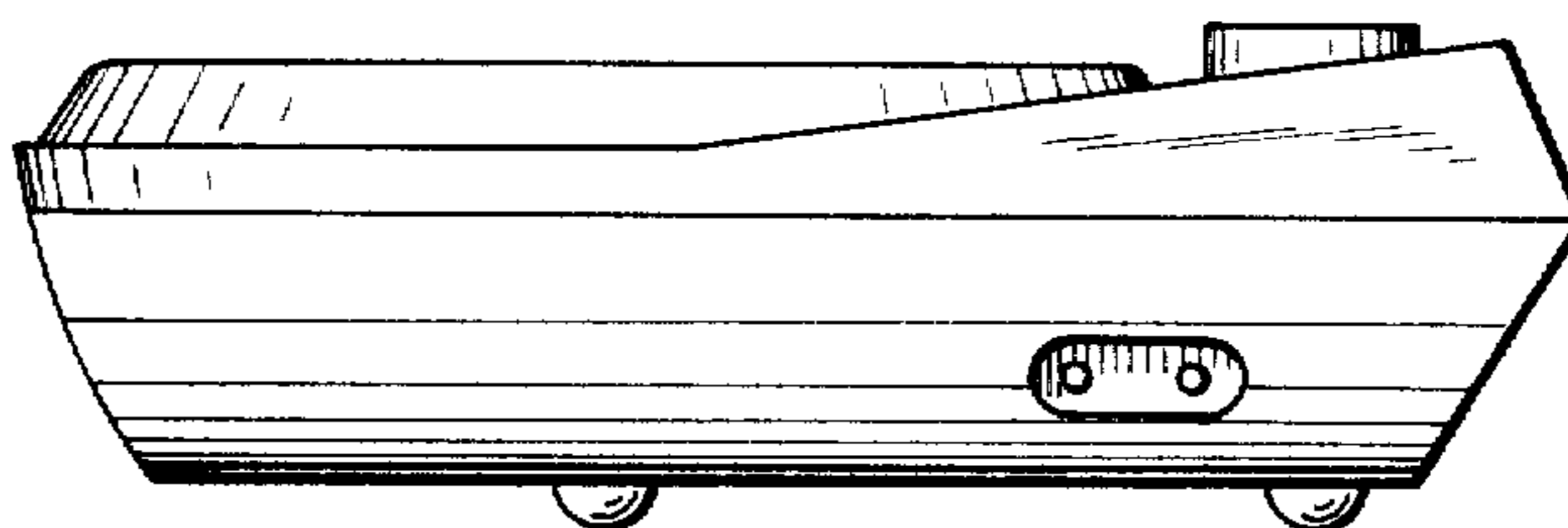


Fig. 6

