

[54] COMBINED SURGICAL HEADREST AND WRIST REST

[75] Inventor: Joseph T. Crocker, Birmingham, Ala.

[73] Assignee: Surgical Engineering Co., Inc., Birmingham, Ala.

[**] Term: 14 Years

[21] Appl. No.: 94,834

[22] Filed: Nov. 16, 1979

[51] Int. Cl. D24-01
[52] U.S. Cl. D24/7; D24/3
[58] Field of Search D24/3, 7; 128/83, 82, 128/76 R, 133, 134; 297/394, 397, 405, 488; 248/118.3

[56] References Cited

U.S. PATENT DOCUMENTS

2,872,259	2/1959	Thorpe	D24/3
3,578,382	5/1971	Servadio	297/488
4,018,217	4/1977	Evans	248/118.3
4,182,322	1/1980	Miller	128/76 R

Primary Examiner—T. Tung

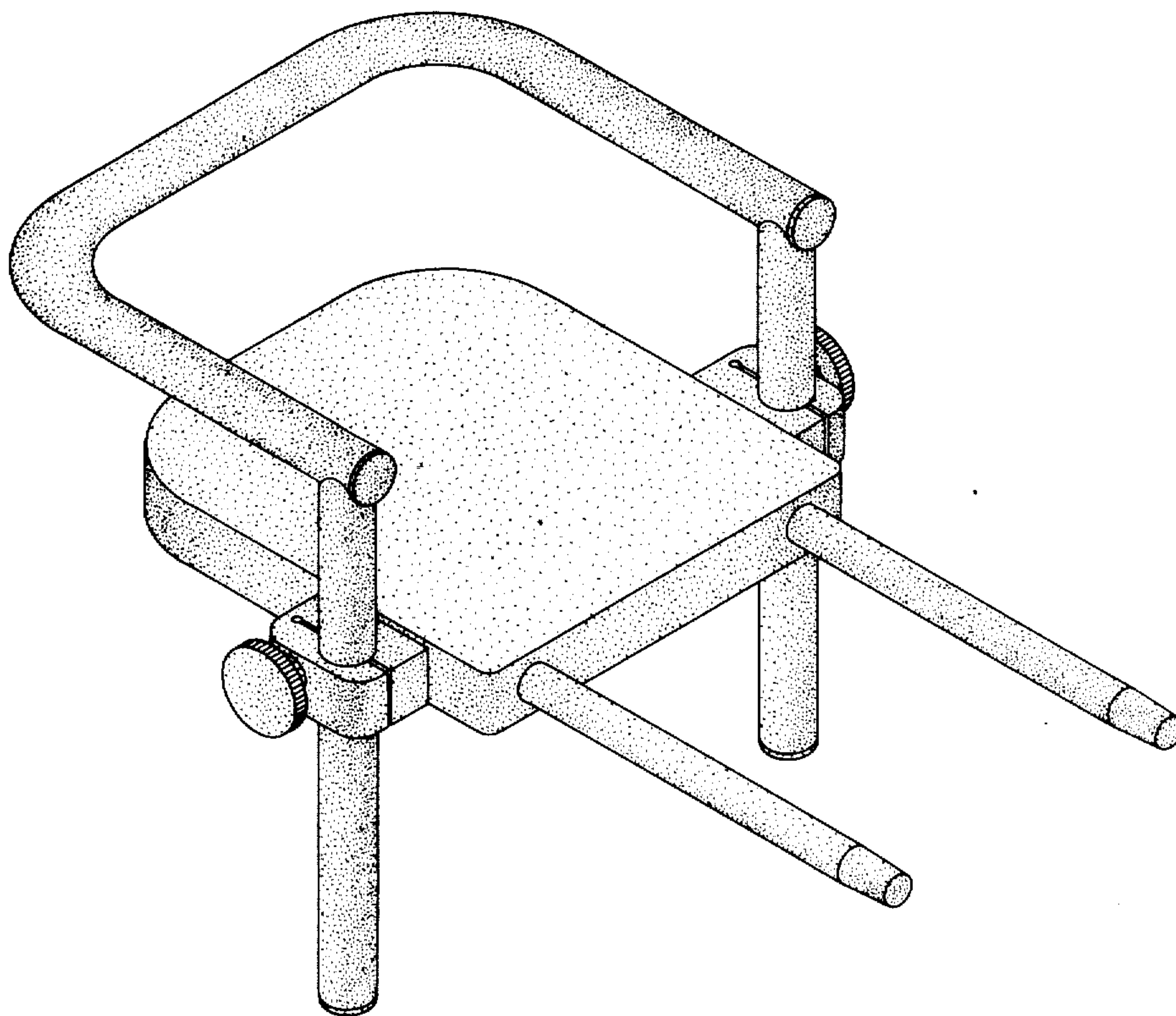
Attorney, Agent, or Firm—Woodford R. Thompson, Jr.

[57] CLAIM

The ornamental design for a combined surgical headrest and wrist rest, as shown.

DESCRIPTION

FIG. 1 is a perspective view of a combined surgical headrest and wrist rest showing my new design; FIG. 2 is an end elevational view thereof; FIG. 3 is an end elevational view thereof showing the end opposite that in FIG. 2; FIG. 4 is a top plan view thereof; FIG. 5 is a bottom view thereof; and, FIG. 6 is a side elevational view thereof, the side not shown being a mirror image of the side shown.



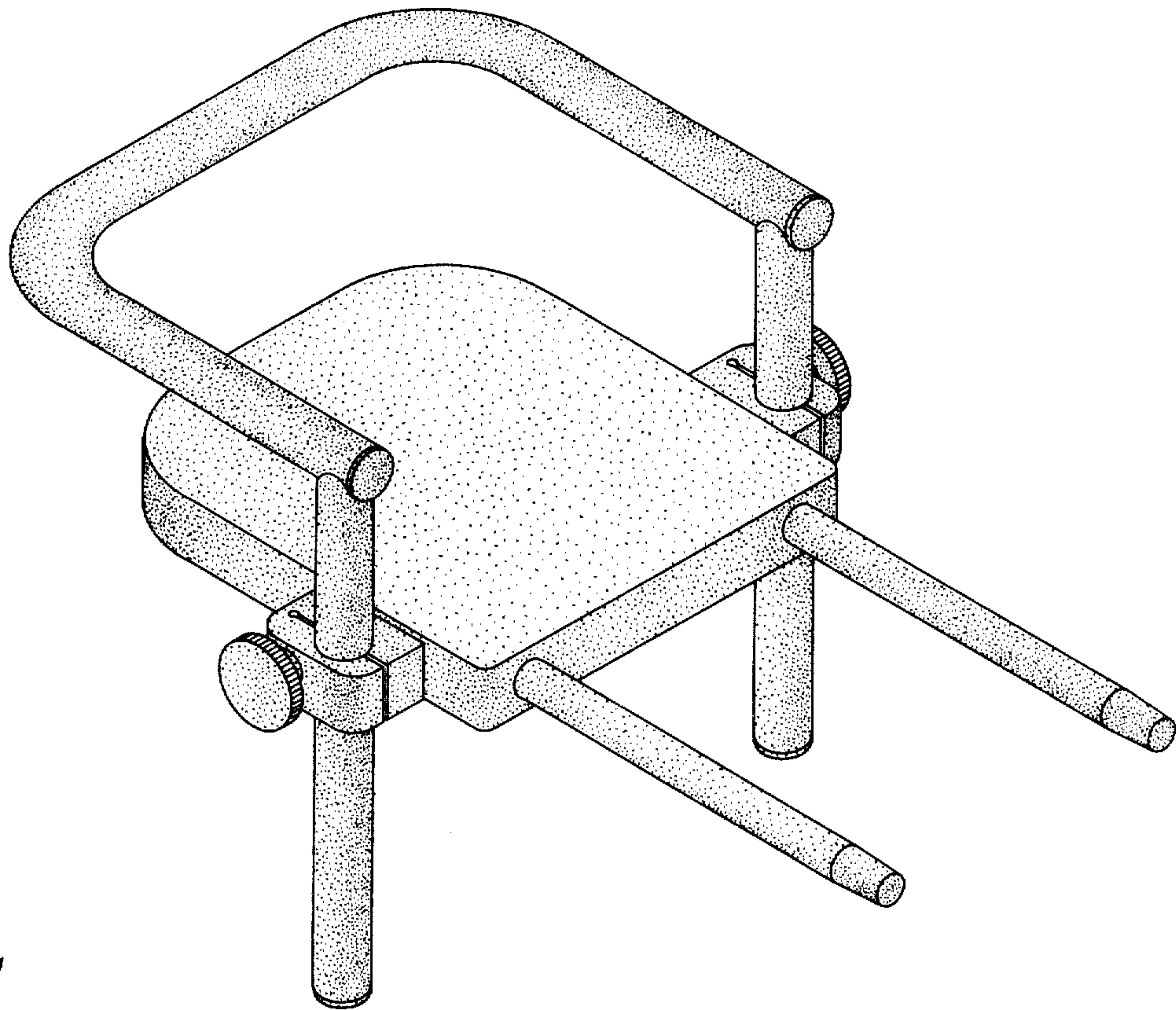


FIG. 1

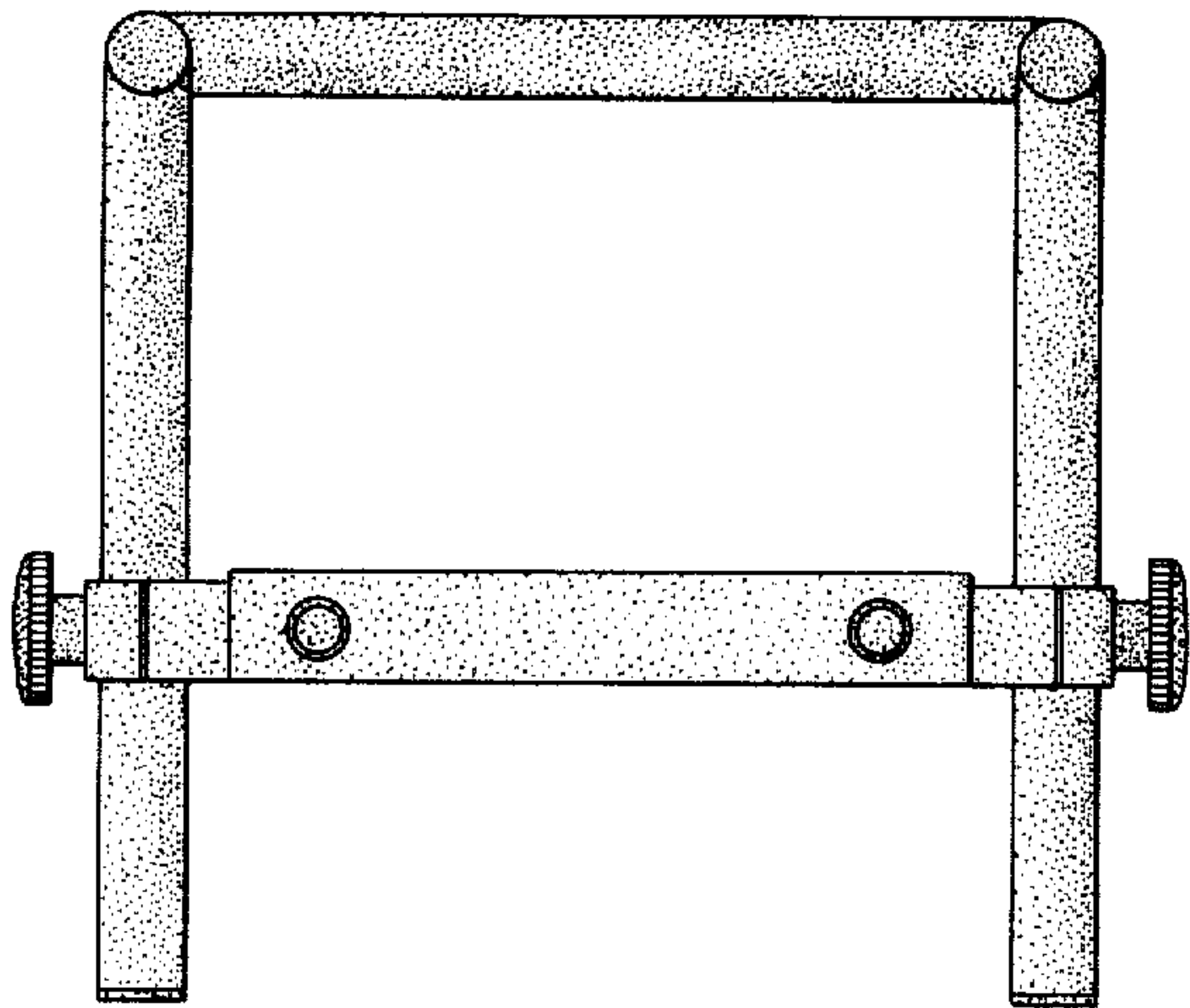


FIG. 2

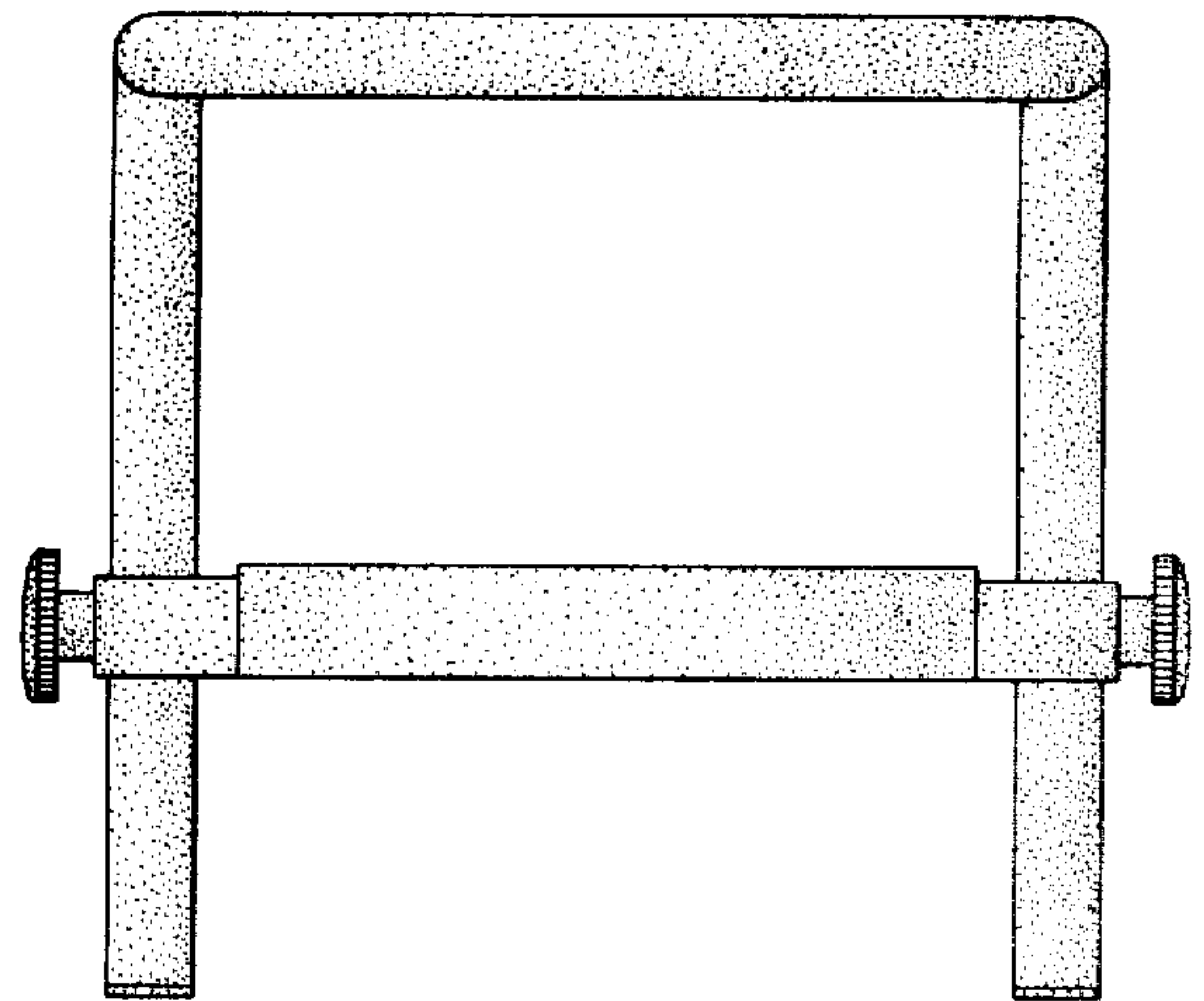


FIG. 3

FIG. 4

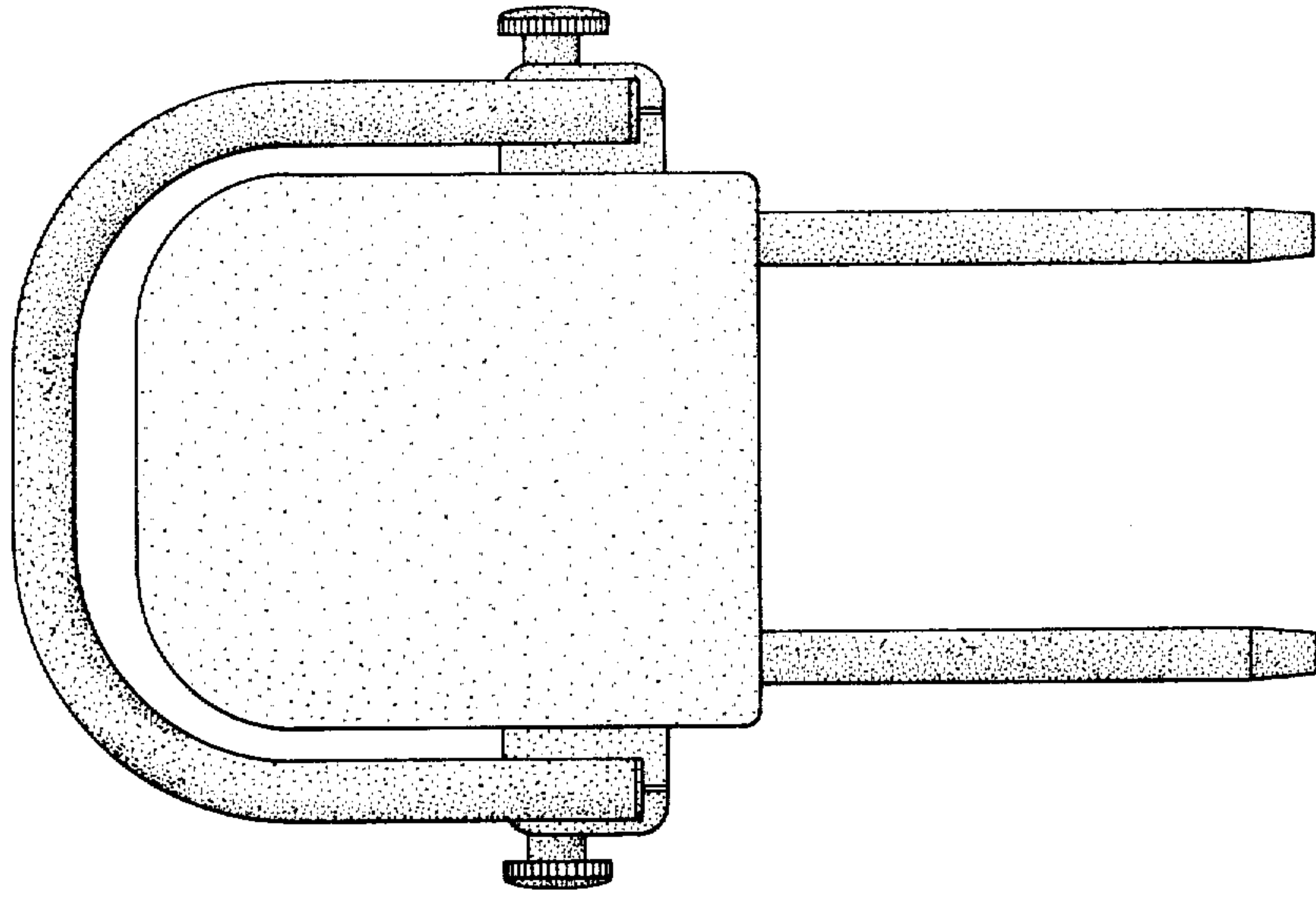


FIG. 5

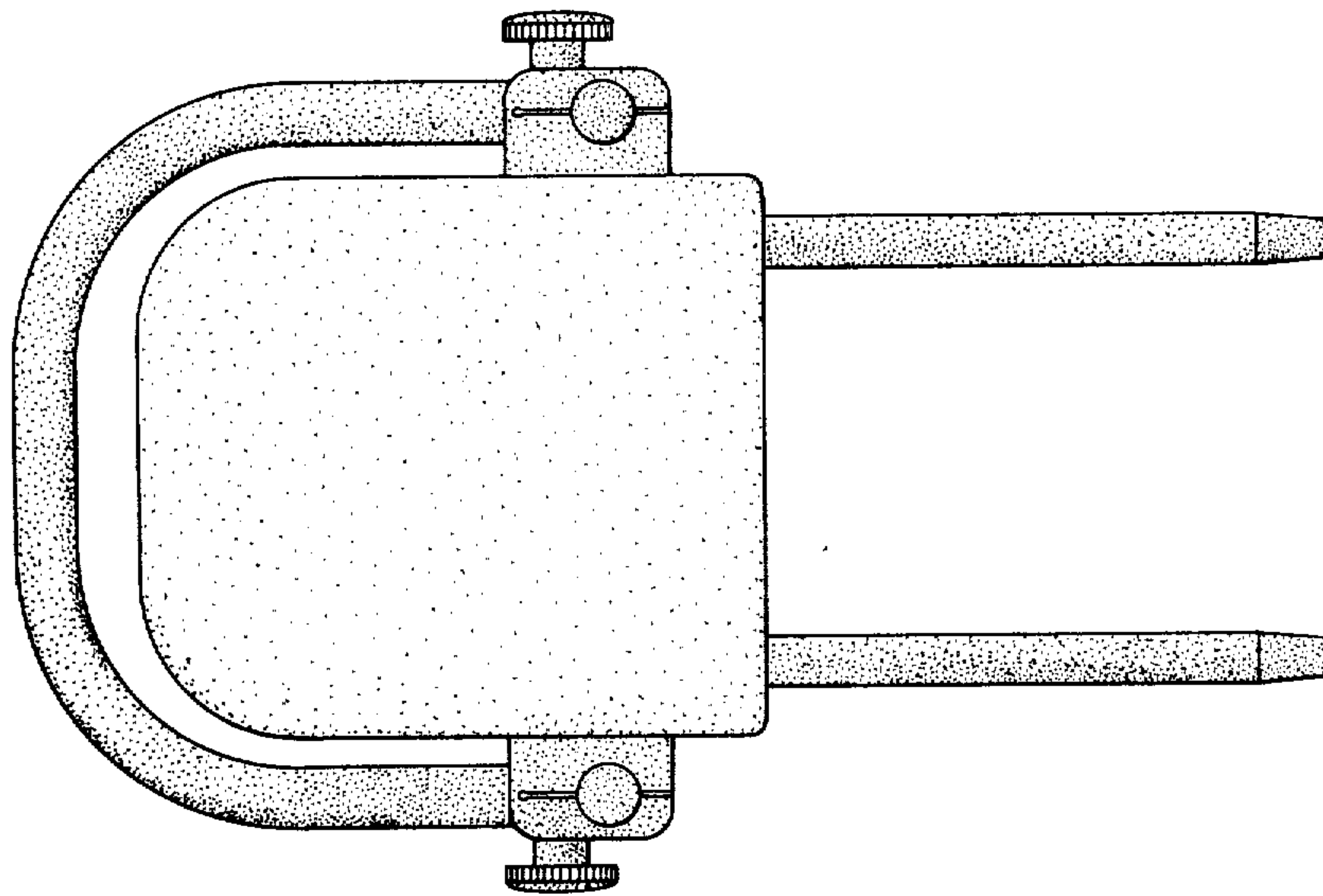


FIG. 6

