

[54] TREATMENT COUCH TOP

[75] Inventors: Nils E. Augustsson, Akarp; Kjell B. Westerlund; Kay W. Stahl, both of Upsala, all of Sweden

[73] Assignee: Instrument AB Therados, Upsala, Sweden

[\*\*] Term: 14 Years

[21] Appl. No.: 69,494

[22] Filed: Aug. 24, 1979

[51] Int. Cl. .... D24—99

[52] U.S. Cl. .... D24/3; 128/33; 128/70

[58] Field of Search ..... D24/3; 128/33, 70

[56] References Cited

U.S. PATENT DOCUMENTS

2,683,453 7/1954 Tong ..... 128/33  
3,042,025 7/1962 Jackson ..... 128/70

Primary Examiner—Veronica O'Keefe  
Attorney, Agent, or Firm—Schwartz, Jeffery, Schwaab, Mack, Blumenthal & Koch

[57] CLAIM

The ornamental design for the treatment couch top, as shown and described.

DESCRIPTION

FIG. 1 is a first perspective view of the treatment couch top embodying our design;  
FIG. 2 is a second perspective view thereof;  
FIG. 3 is a side elevational view thereof; and  
FIG. 4 is a bottom view thereof.

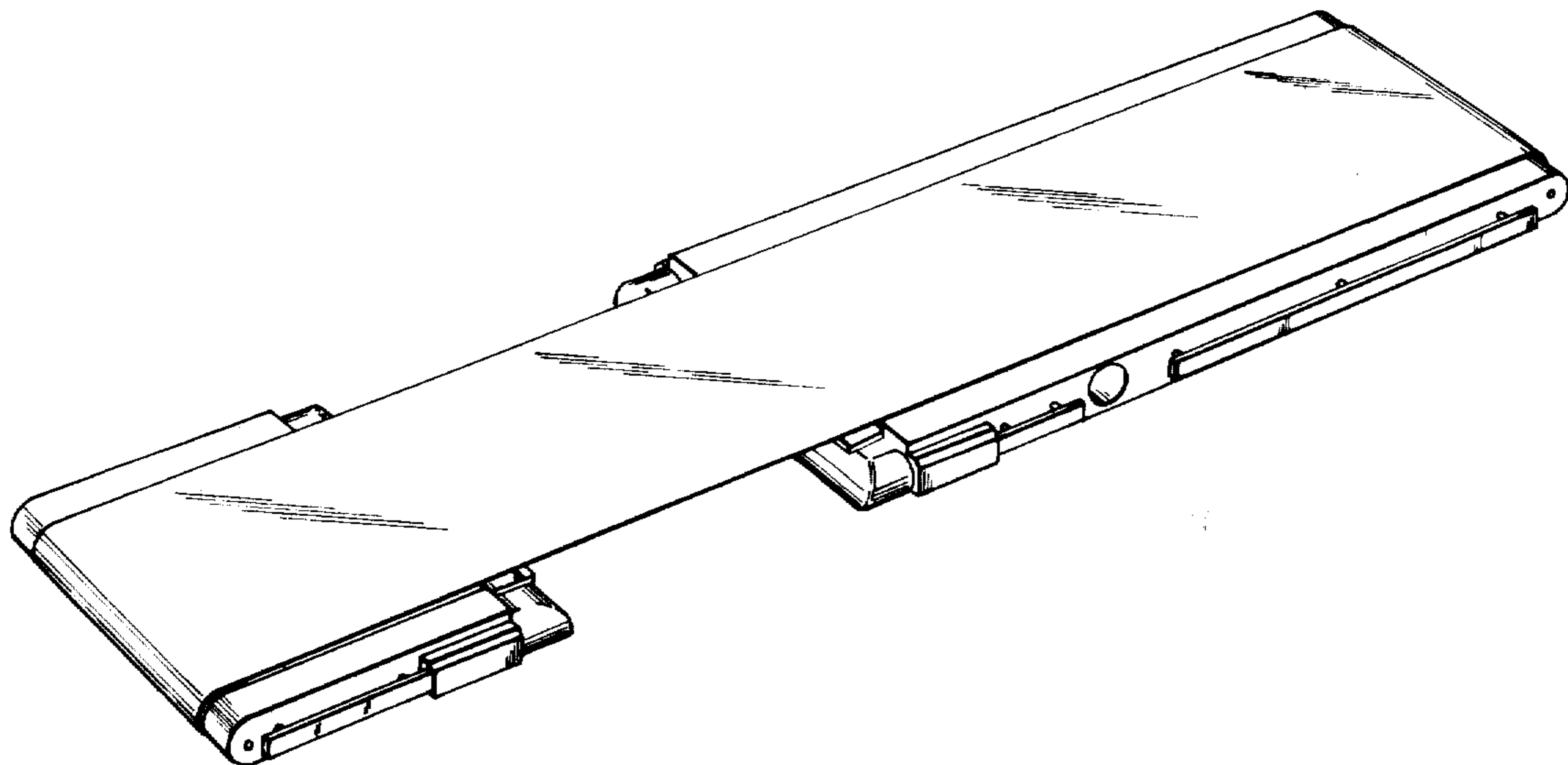


Fig. 1

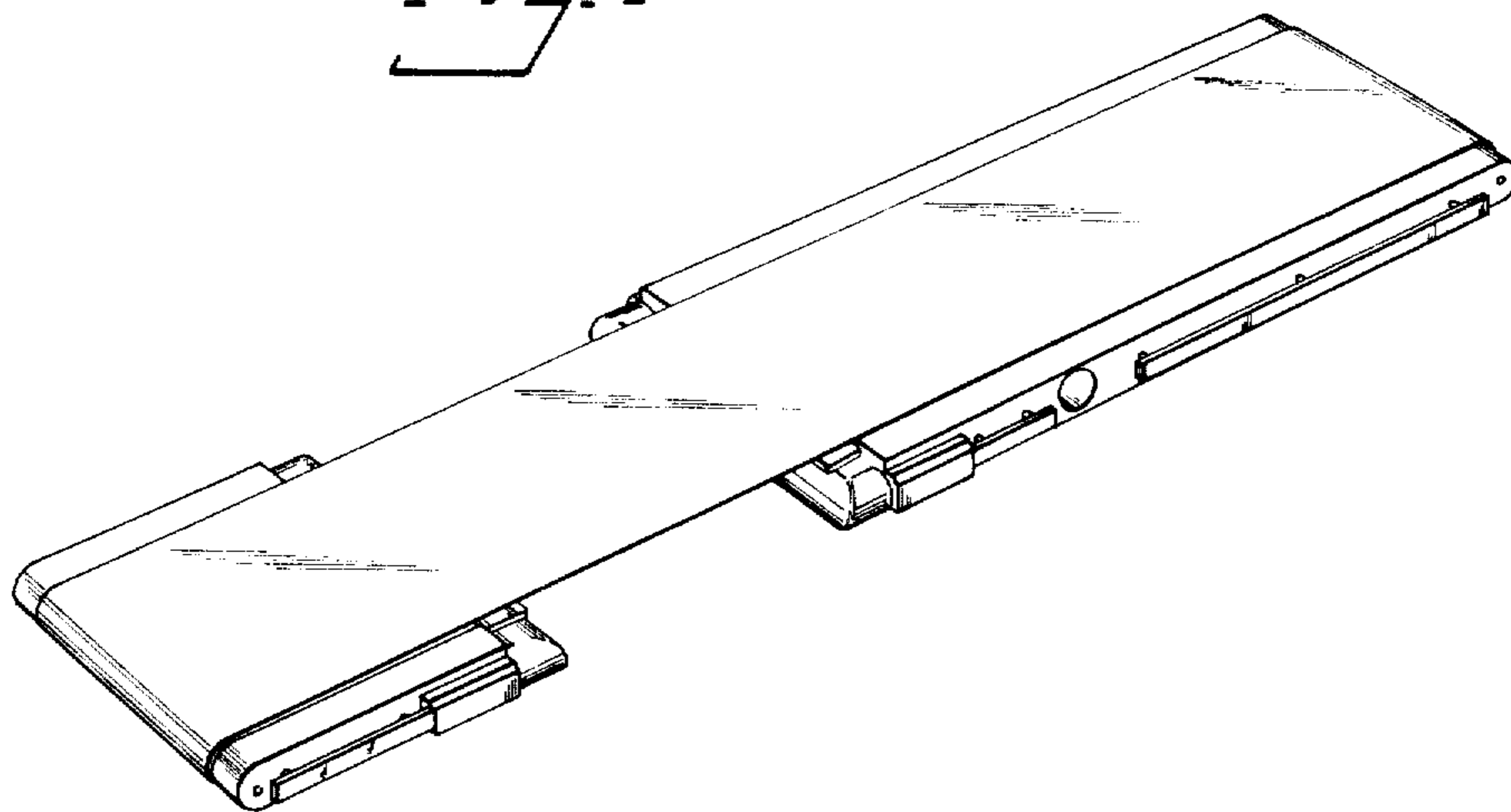


Fig. 2

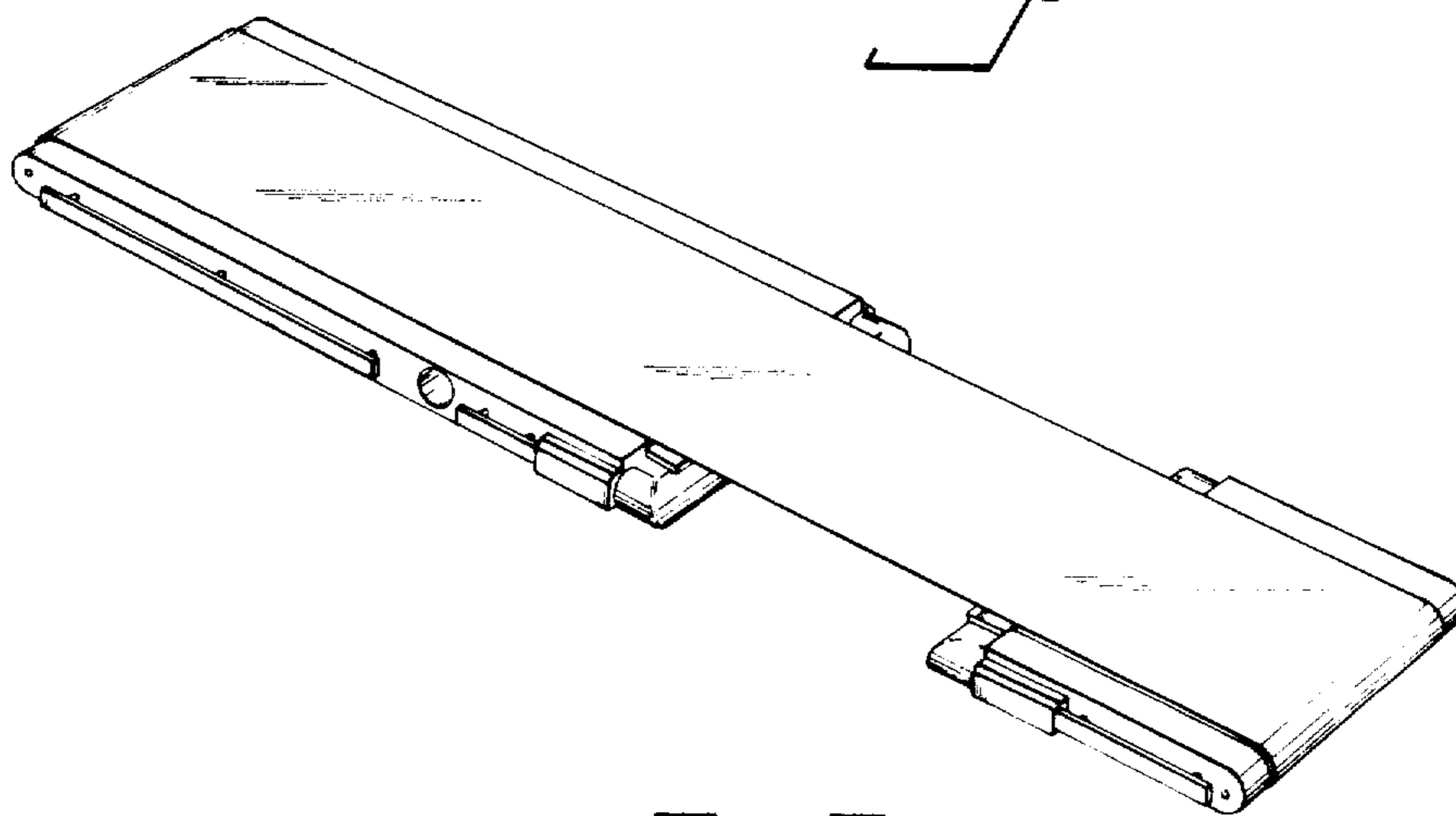
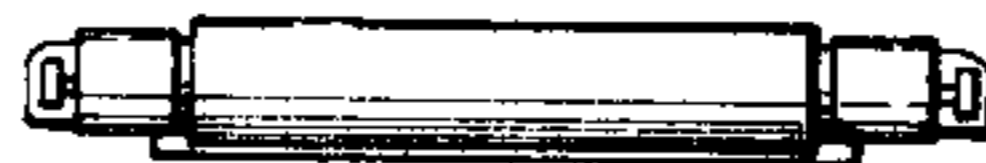
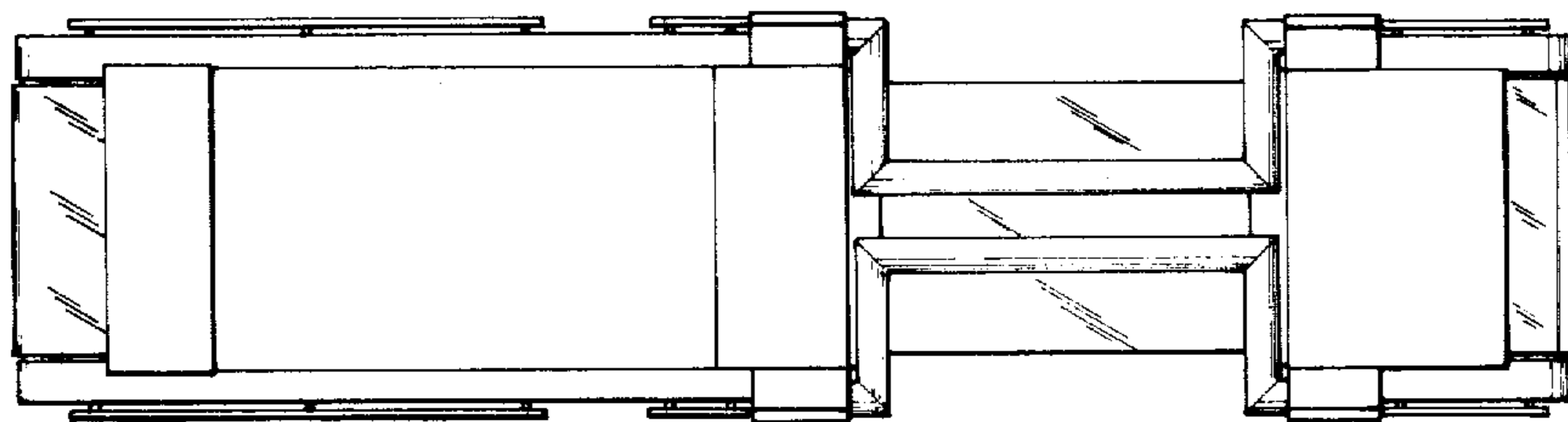


Fig. 3





*Fig. 4*