

[54] CHEMICAL ANALYZER

[75] Inventors: Richard J. Olson, Webster; Lawrence E. Hood, Pittsford, both of N.Y.

[73] Assignee: Eastman Kodak Company, Rochester, N.Y.

[**] Term: 14 Years

[21] Appl. No.: 160,778

[22] Filed: Jun. 16, 1980

[51] Int. Cl. D24-01; D10-04

[52] U.S. Cl. D24/1.1; D10/81

[58] Field of Search D24/1.1; D10/81; 356/39, 40, 346, 213; 424/11; 23/230 B, 230 R

[56] References Cited

U.S. PATENT DOCUMENTS

D. 228,454	9/1973	Amar et al.	D24/1.1
D. 228,455	9/1973	Amar et al.	D24/1.1
D. 228,755	10/1973	Amar et al.	D24/1.1
D. 245,352	8/1977	Moran	D24/1.1
D. 251,774	5/1979	Olson	D10/81
3,617,222	11/1971	Matte	23/230 B
3,718,439	2/1973	Rosse	356/39

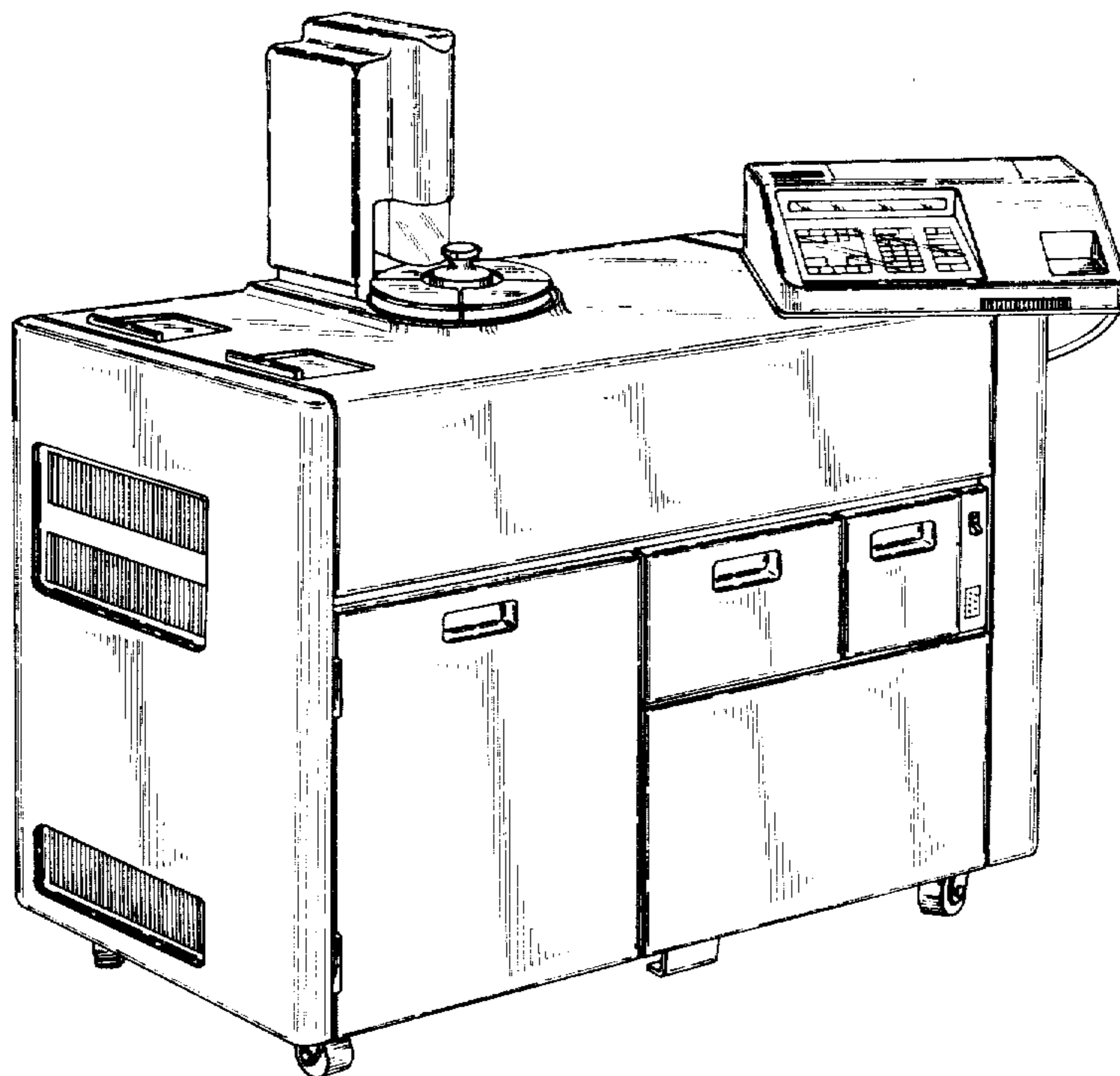
Primary Examiner—Bernard Ansher
Attorney, Agent, or Firm—D. D. Schaper

[57] CLAIM

The ornamental design for a chemical analyzer, as shown and described.

DESCRIPTION

FIG. 1 is a front perspective view of a chemical analyzer showing our new design; FIG. 2 is a rear perspective view thereof; and FIG. 3 is a bottom plan view thereof.



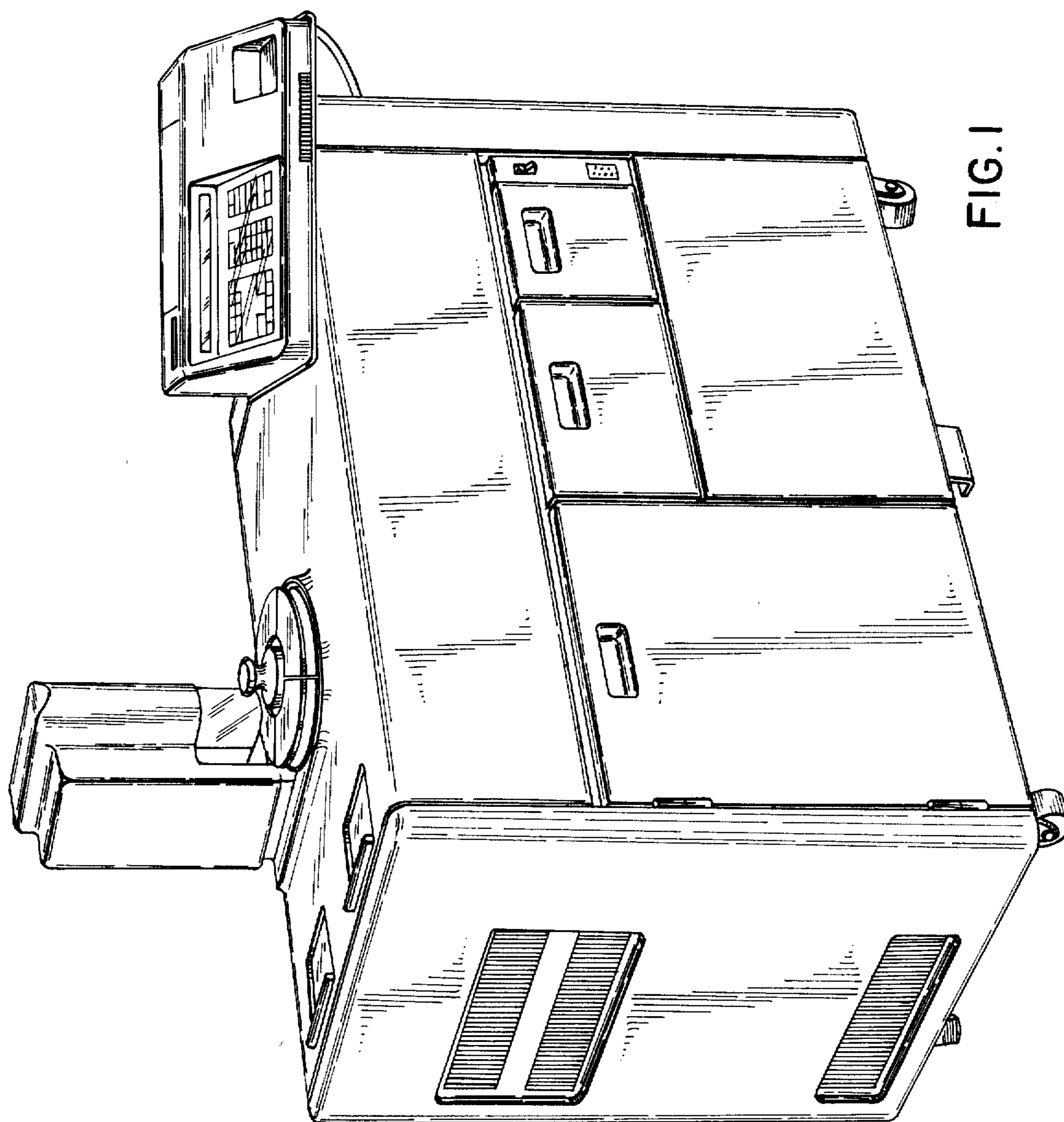


FIG. 1

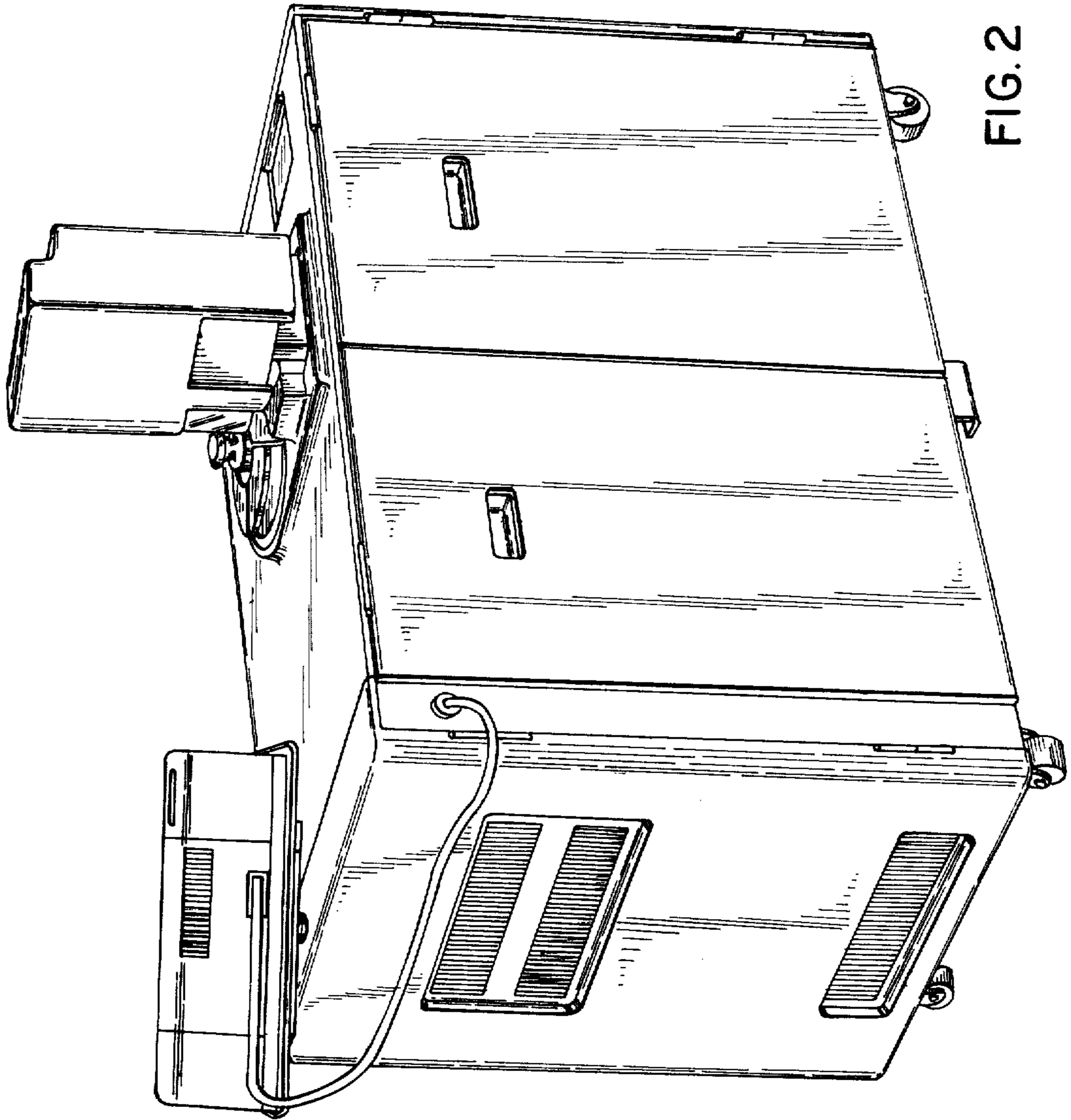


FIG. 2

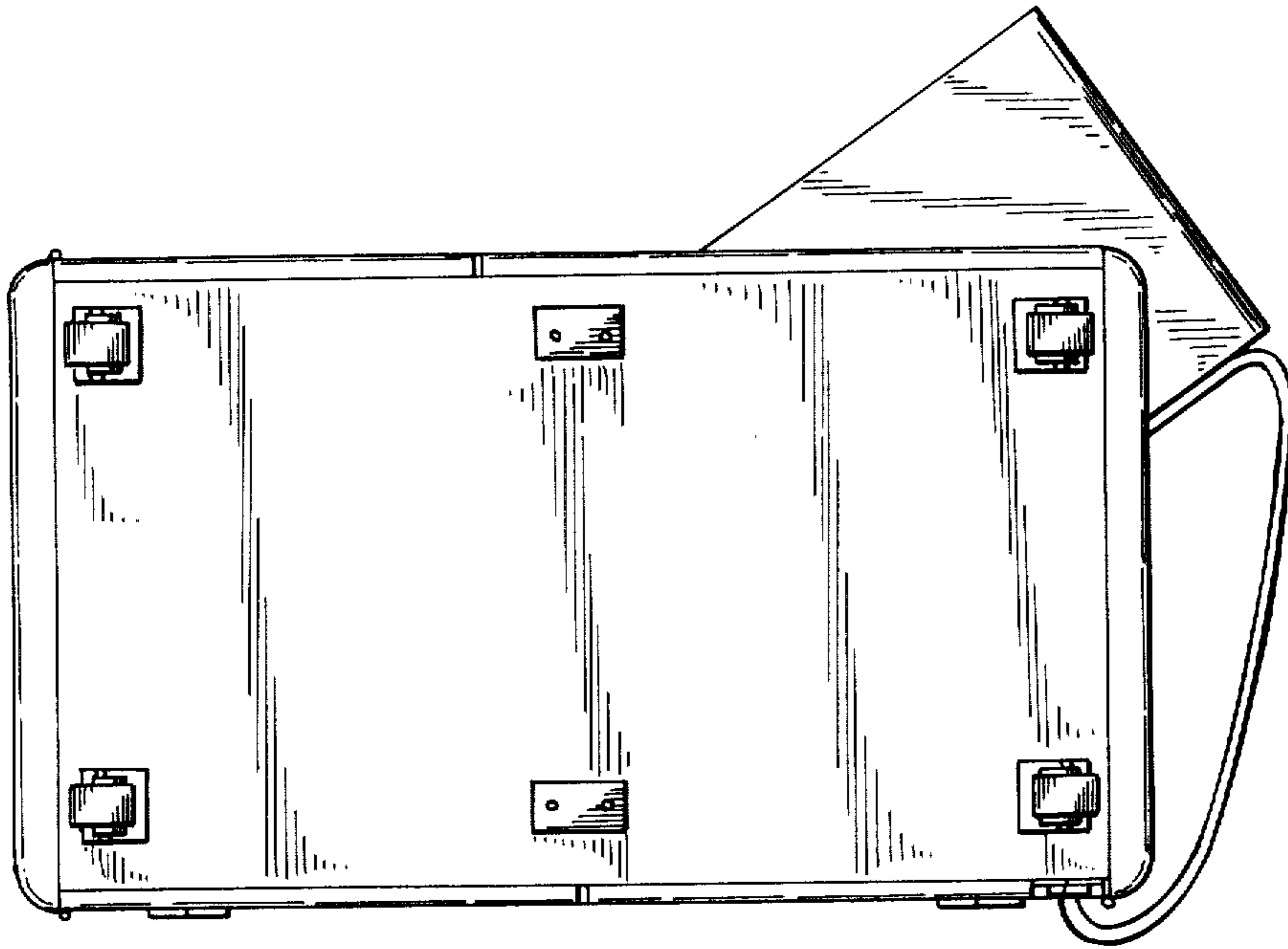


FIG. 3